



Installation Instructions HighRock 4x4™ Element Rear Doors

Vehicle Application:
Jeep® Wrangler JL 4-Door 2018 and up
Part Number 51741

Installation Tips

Before you install your new High Rock 4x4™ Element Doors, please read all the instructions thoroughly.









WARNING

This product is designed primarily to enhance the appearance of the vehicle and to shield the occupants from ordinary weather conditions. Do not rely in any way on the components of this product to protect against injury or death in the event of an accident. Never operate the vehicle in excess of manufacturer's specifications.

Read and follow, precisely, all installation instructions provided when installing this product. Failure to do so may result in a poor fit and could place occupants of the vehicle in a potentially dangerous situation.



WEAR SEAT BELTS AT ALL TIMES

Tools			Installation Time	Support
 Safety Glasses	 Ratchet	 T30 - T40 - T50 Torx Drivers	 30 Minutes	We're here to help! Go to www.Bestop.com and click on "Contact Us"
 #2 Phillips Screw Driver	 10mm Wrench	 4mm and 5mm Hex Keys	Skill Level  1 - Easy	



Installation Instructions HighRock 4x4™ Element Rear Doors

Vehicle Application:
Jeep® Wrangler JL 4-Door 2018 and up
Part Number 51741

Sugerencias de Instalación

Antes de empezar a instalar esta unidad, lea atentamente todas las instrucciones.

Para un buen ajuste:

Para facilitar la instalación, el producto debe instalarse a temperaturas superiores a 72 °F (22 °C).

Por debajo de esta temperatura, la tela puede encogerse una pulgada o más, lo que dificultaría su ajuste al vehículo.

Es normal que la tela se contraiga o arrugue cuando está guardada en la caja de empaque. A los pocos días después de la instalación, la tela se relajará y las arrugas desaparecerán.



ADVERTENCIA

Este producto se diseñó principalmente para mejorar la apariencia del vehículo y proteger a los ocupantes de las condiciones climáticas comunes. De ninguna manera piense que los componentes de este producto pueden servir como medio de contención para los ocupantes del vehículo o que pueden protegerlos contra lesiones o la muerte en caso de accidente. Este producto no protegerá a los ocupantes contra caídas de objetos. Nunca conduzca este vehículo fuera de las especificaciones del fabricante.

USE LOS CINTURONES DE SEGURIDAD EN TODO MOMENTO

Lea y siga con precisión todas las instrucciones de instalación que se proporcionan para instalar este producto. Si no lo hace, podría producirse un mal ajuste que colocaría a los ocupantes del vehículo en una situación potencialmente peligrosa.



PRECAUCIÓN

Debe usar gafas protectoras en todo momento durante la instalación de este producto.

Conseils pour l'installation

Lire toutes les instructions au complet avant de commencer l'installation de cet assemblage.

Pour un ajustement sans problème :

Afin de faciliter l'installation, ce produit doit être installé à des températures au-dessus de 72 °F (22 °C).

Sous cette température, le tissu peut rétrécir d'un pouce (2,5 cm) ou plus, ce qui rendra l'ajustement sur le véhicule difficile.

Il est normal que le tissu rétrécisse et plisse pendant qu'il est dans la boîte d'expédition. En quelques jours après l'installation, le tissu se détendra et les plis disparaîtront.



AVERTISSEMENT

Ce produit est conçu principalement pour améliorer l'apparence du véhicule et pour protéger les occupants des conditions météorologiques usuelles. Ne jamais se fier aux composants de ce produit pour se protéger de blessures ou de la mort en cas d'accident. Ce produit ne protégera pas les occupants des chutes d'objets. Ne jamais utiliser le véhicule au-delà des caractéristiques techniques indiquées par le fabricant.

PORTER UNE CEINTURE DE SÉCURITÉ EN TOUT TEMPS

Lire et suivre, très fidèlement, toutes les instructions d'installation fournies lors de l'installation de ce produit. Ne pas suivre cette consigne peut causer une installation inadéquate et mettre les occupants du véhicule dans une situation potentiellement dangereuse.



MISE EN GARDE

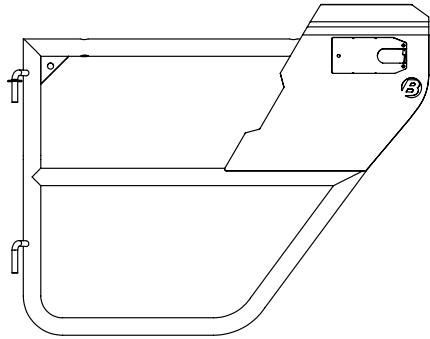
Des lunettes de sécurité doivent être portées en tout temps lors de l'installation de ce produit.



Installation Instructions HighRock 4x4™ Element Rear Doors

Vehicle Application:
Jeep® Wrangler JL 4-Door 2018 and up
Part Number 51741

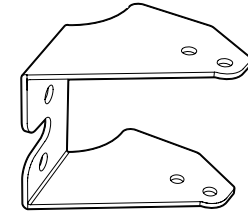
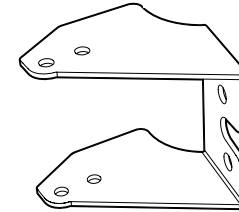
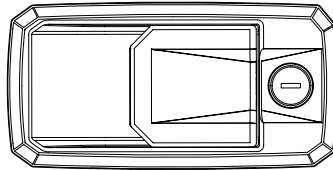
Parts List



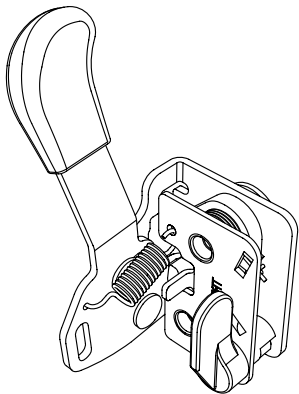
Door Frames
Left (shown) Part #584.35 (matte finish)
Right #584.34 (matte finish)
Qty. 1 of each



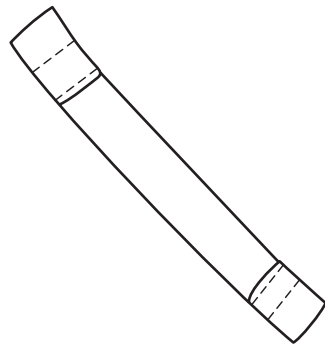
Locking Paddle Latch with
Adjustment Screw and Jam Nuts (2)
Part #584.61
Qty. 2



Rotor Brackets
Part #655.55 - Left
Part #655.56- Right
Qty. 1 of each



Rotor Assembly
Part #652.33 - Left
Part #652.34 - Right (shown)
Qty. 1 of each

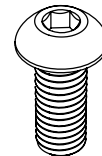


Door Restraint
Part #428.59
Qty. 2

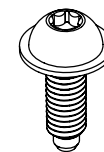
Small Parts Kit #577.71P



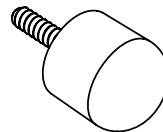
#10-14 x .5 SELF-TAPPING Screw
Part #653.50
Qty. 6



M8 x 1.25 x 20
Button Head Screw
Part #431.59
Qty. 4



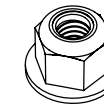
M6 x 1.0 x 15
Flanged Button Head
Screw
Part #533.61
Qty. 8



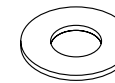
Bumper
Part #585.04
Qty. 2



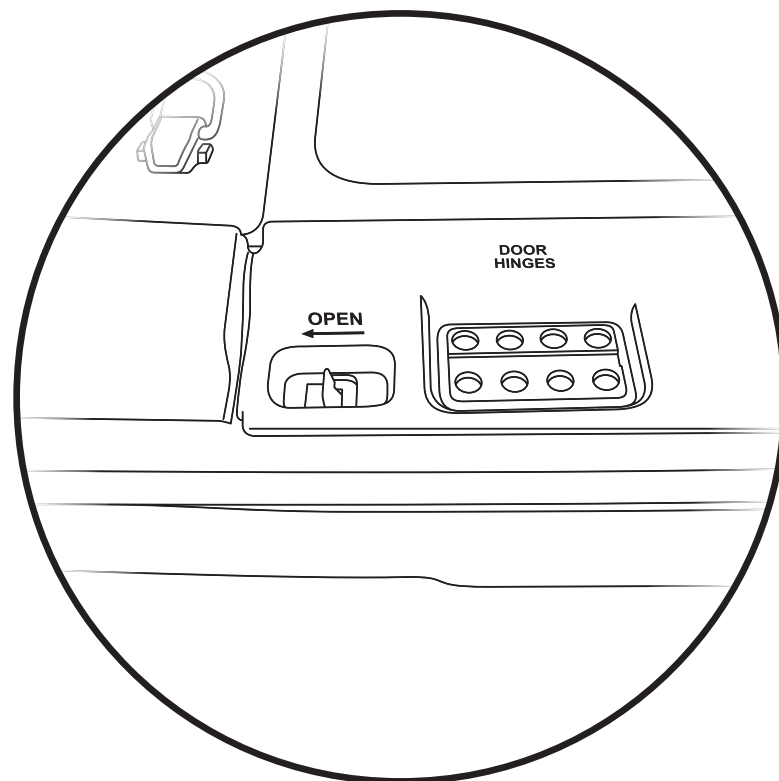
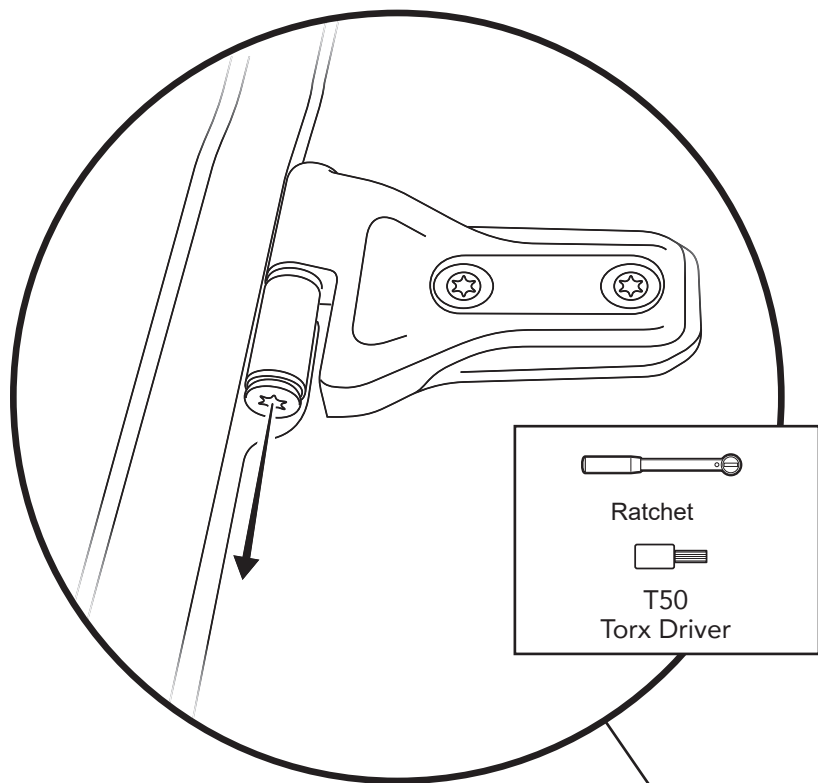
Key
Part #564.19
Qty. 2



M6 x 1.0
Flanged Nut
Part #515.82
Qty. 8

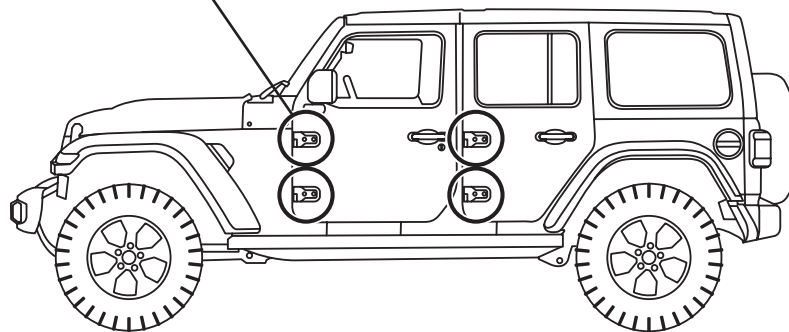


M8 Flat Washer
Part #515.84
Qty. 4

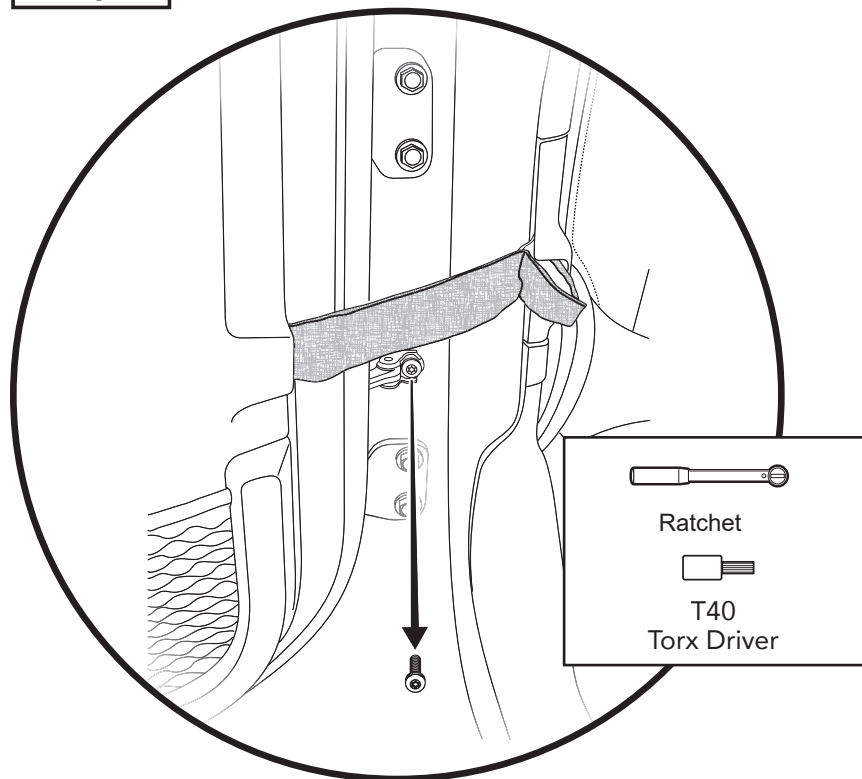


Using a T50 Torx bit, remove the Hinge Screws from the bottom of each door hinge - 2-door or 4-door.

Store the Door Hinge Screws underneath the hinged floor cover at the rear of the Jeep.



Step 1



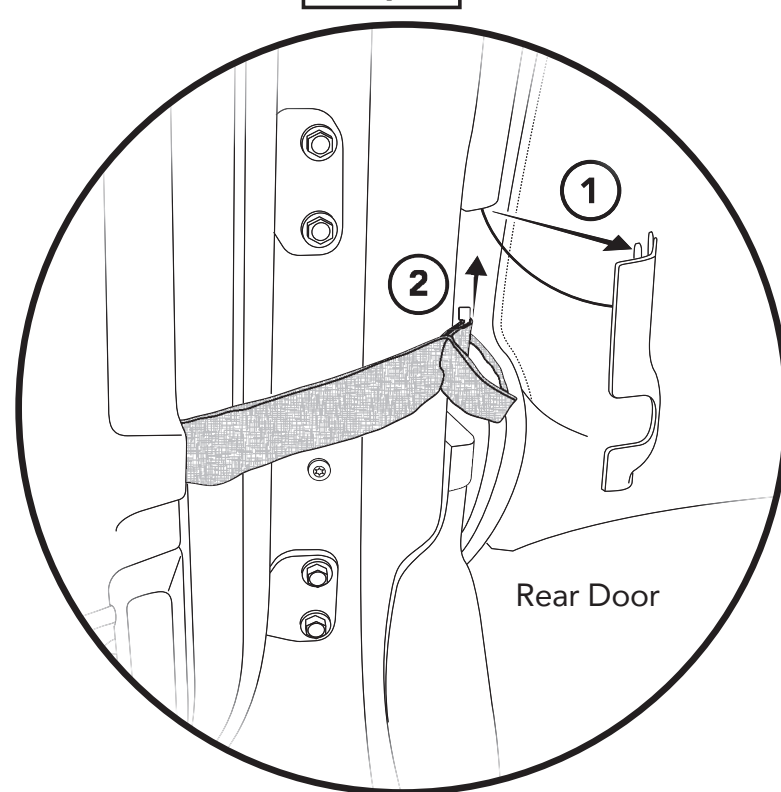
Step 1

Using a T40 Torx bit, remove the door linkage screw on the inside of the door frame.

Move the door linkage aside and replace the screw.

Do this on each door that you are removing, on both 2 and 4-door Jeeps.

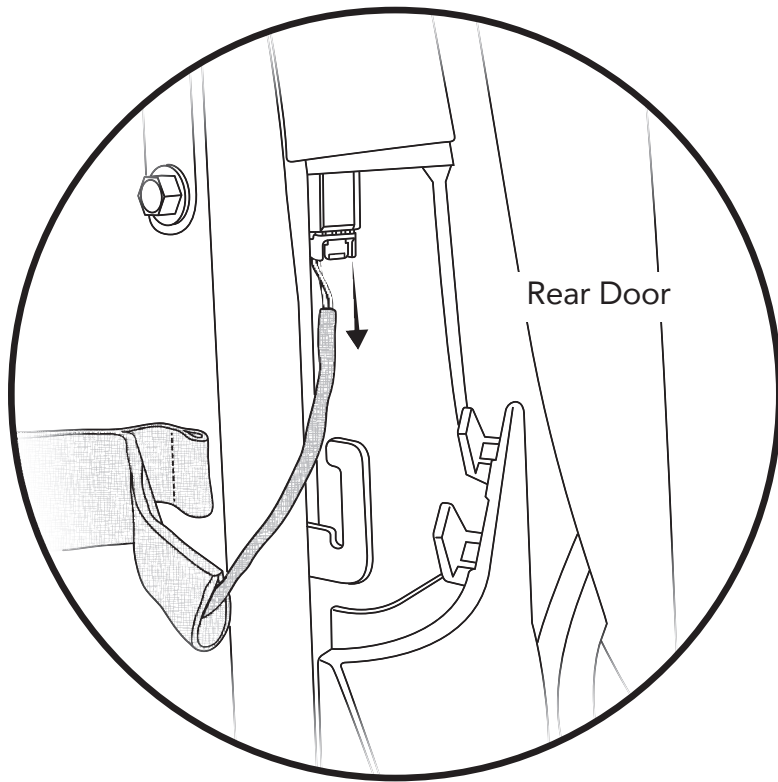
Step 2



Step 2

Rear Door:

- ① Remove the tethered plastic cover over the Door Retention Strap Hook.
- ② Remove the loop end of the Door Retention Strap from the Hook. Lift the loop up and off of the metal hook.

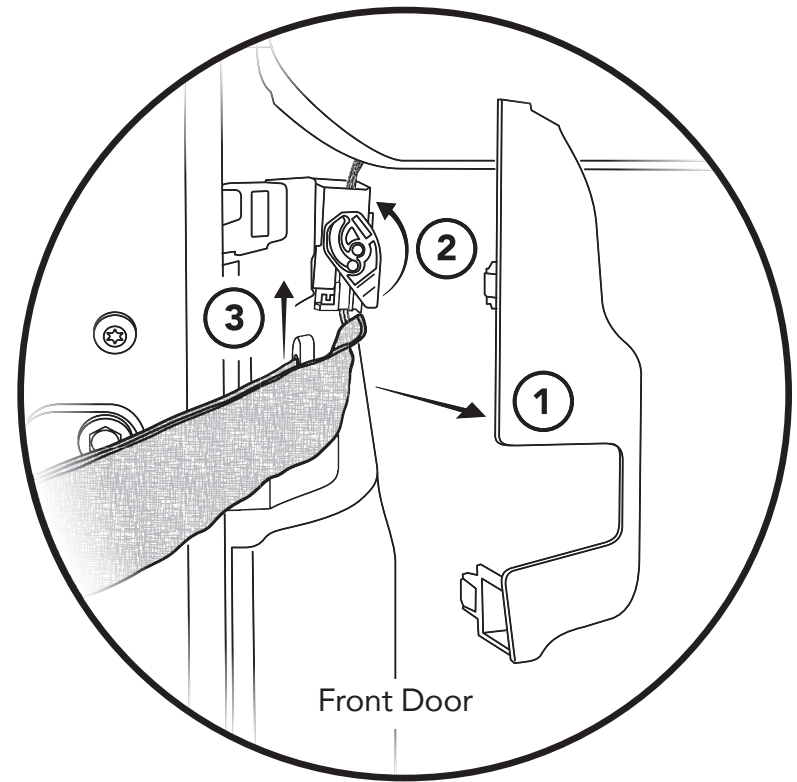


Rear Door:

With the tethered plastic cover removed, unplug the connector behind the cover, and at the end of the wrapped wire bundle that is inside of the door restraint strap.

Replace the plastic cover after you have unplugged the connector.

You may now lift this door off the hinge.



Front Door:

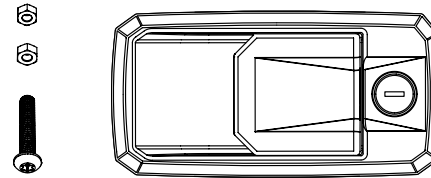
① Remove the tethered plastic cover over the Door Retention Strap Hook.

② Slide the red latch on the connector up, and pivot the white receptacle lock 180°, and remove the connector.

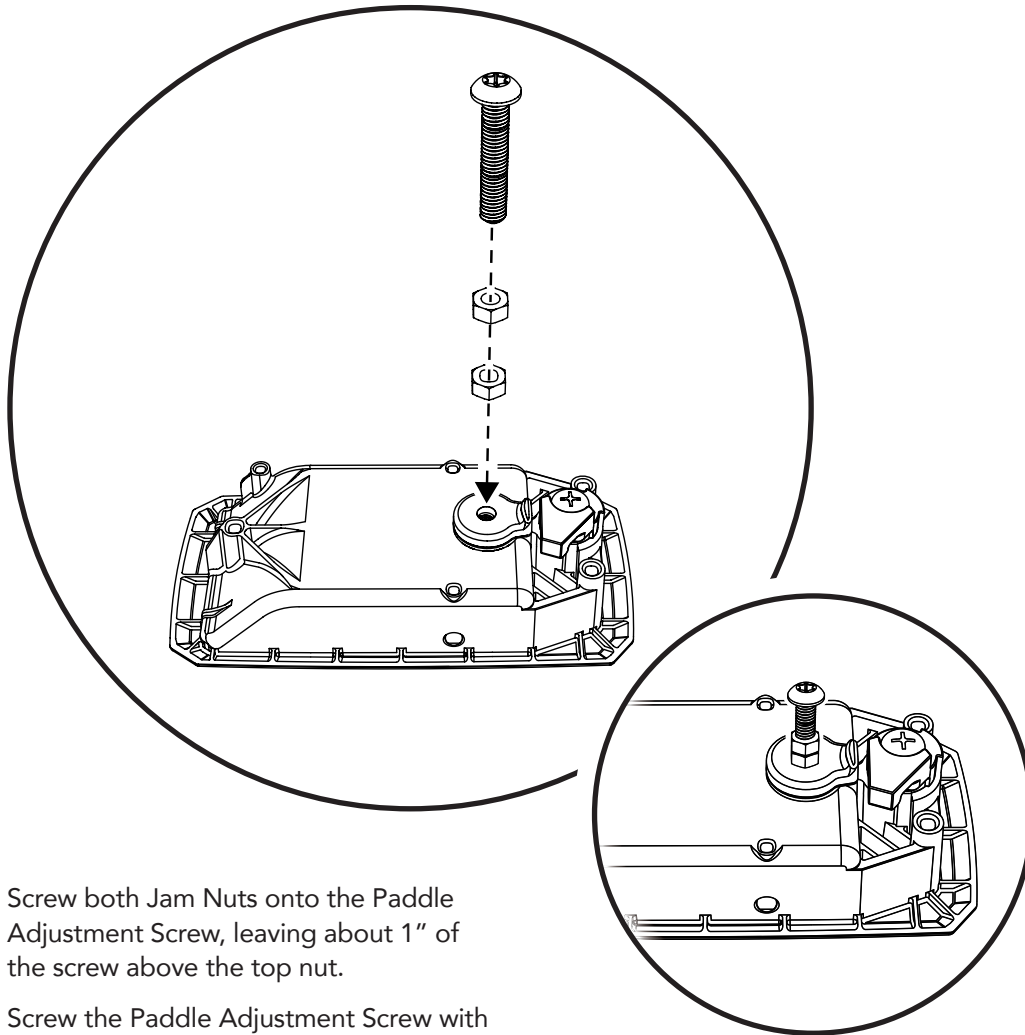
③ Remove the loop end of the Door Retention Strap from the Hook. Lift the loop up and off of the metal hook.

You may now lift this door off the hinge.

Hardware



Locking Paddle Latch with
Adjustment Screw and Jam Nuts (2)
Part #584.61
Qty. 2

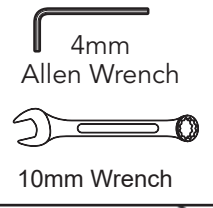
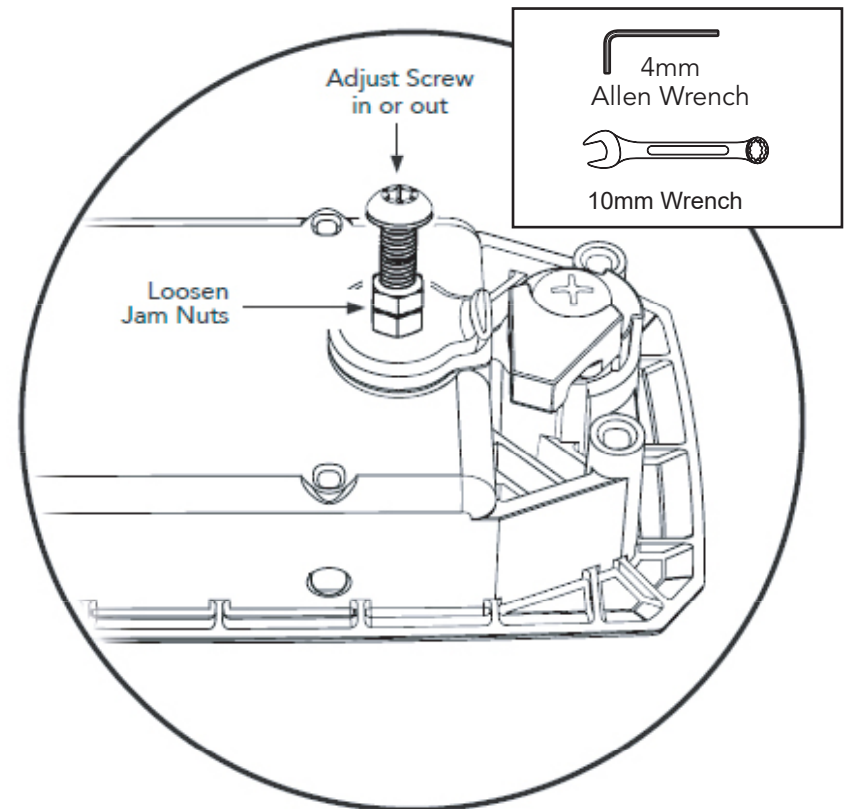


Screw both Jam Nuts onto the Paddle Adjustment Screw, leaving about 1" of the screw above the top nut.

Screw the Paddle Adjustment Screw with the Jam Nuts into the back side of the Paddle, in the location shown.

Screw the Adjustment Screw and Jam Nuts into the Paddle until the bottom Jam Nut contacts the back of the Paddle.

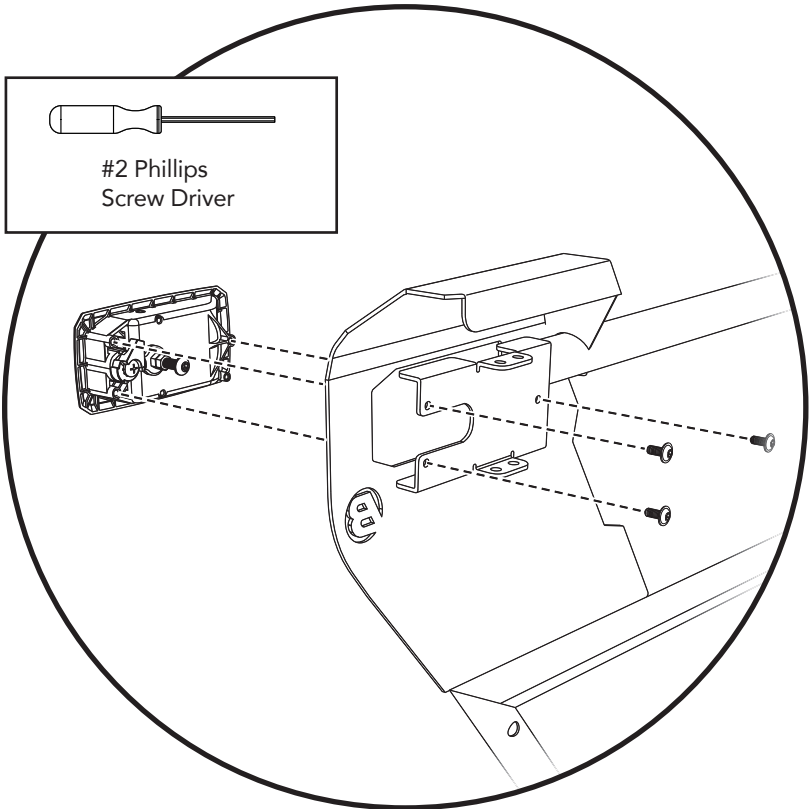
See Caution on Page 10



Adjust Screw
in or out

Loosen
Jam Nuts

Hardware



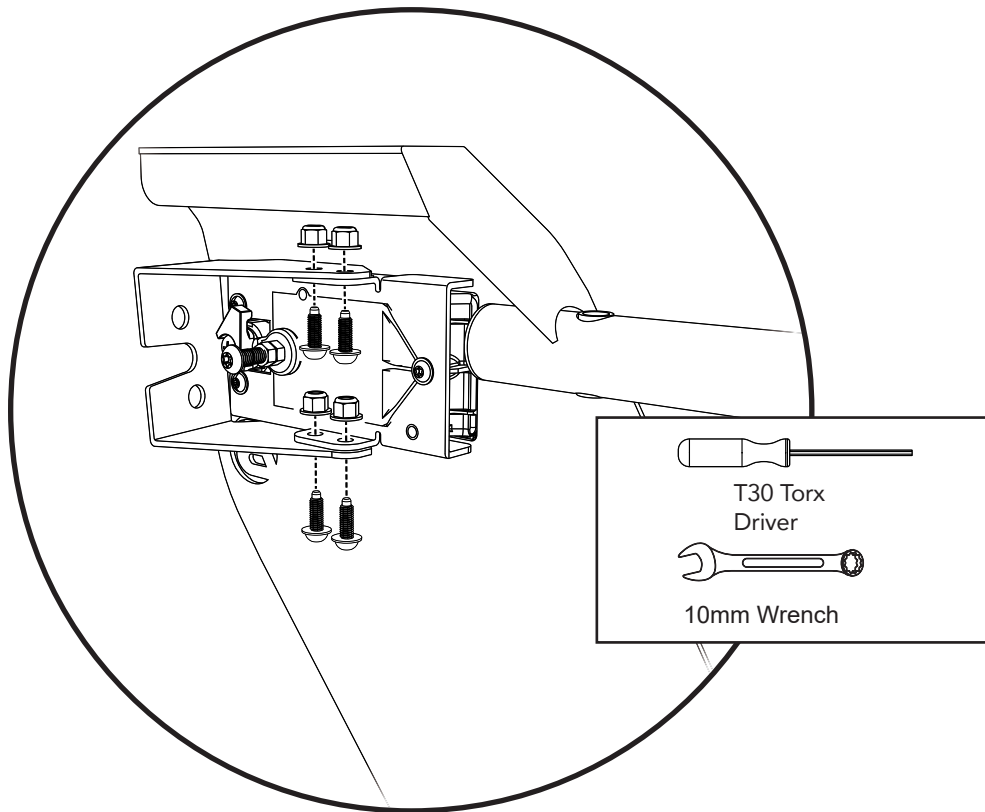
#10-14 x .5 SELF-TAPPING Screw
Part #653.50
Qty. 6

Attach the Paddle Handle assemblies to the Element Doors.

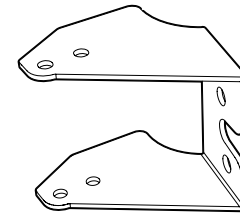
Insert each Paddle Handle assembly into the pocket in the Element Door.

Make sure that the lock on the Paddle is toward the rear of the door.

Secure the Paddle Latches to the Element Doors using three (3) 10-14 x .5 SELF-TAPPING Screws on each latch.



Hardware



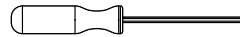
Rotor Brackets
Part #655.55 - Left
Part #655.56 - Right
Qty. 1 of each



M6x1.0x15
Flanged Button Head
Screw
Part #533.61
Qty. 8



M6x1.0
Flanged Nut
Part #515.82
Qty. 8



T30 Torx
Driver



10mm Wrench

NOTE:

Leave these fasteners loose until after you have installed the Rotor Assembly (next page).

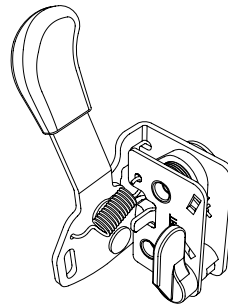
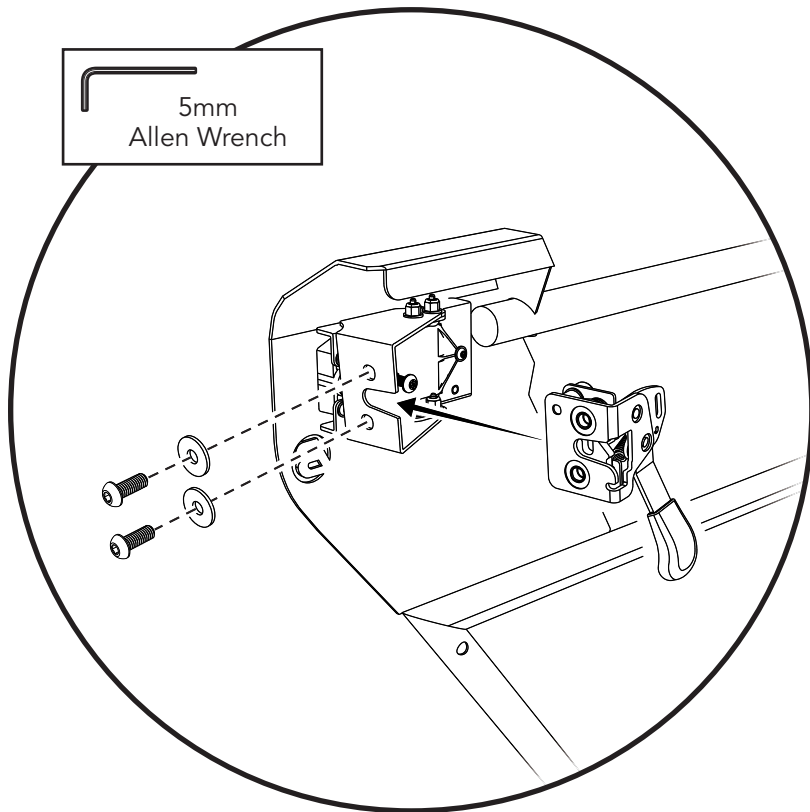
Attach the Rotor Brackets to the rear of the Paddle Latch pockets in each door.

Attach the left Rotor Bracket to the left side Element Door using four (4) M6x1.0x15 Flanged Button Head Screws with M6x1.0 Flanged Nuts.

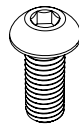
Note the position of the Rotor-mounting holes on the left Bracket shown in the illustration above.

Attach the right Rotor Bracket to the right side Element Door using four (4) M6x1.0x15 Flanged Button Head Screws with M6x1.0 Flanged Nuts.

Hardware



Rotor Assembly
Part #652.33 - Left
Part #652.34 - Right
Qty. 1 of each



M8 x 1.25 x 20
Button Head Screw
Part #431.59
Qty. 4



M8 Flat Washer
Part #515.84
Qty. 4

Attach the Rotor Assemblies to the Rotor Brackets.

Attach the Left Rotor Assembly to the left Rotor Bracket using two (2) M8 x 1.25 x 20 Button Head Screws and two (2) M8 Flat Washers.

Attach the Right Rotor Assembly to the right Rotor Bracket using two (2) M8 x 1.25 x 20 Button Head Screws and two (2) M8 Flat Washers.

Make sure that Rotor Assembly and Paddle Assembly are aligned to each other when assembled.

Incorrectly-installed Rotor Assemblies will be crooked, and will run into the Rotor Brackets.



WARNING

It is important that the paddle handle must align correctly with automobile manufacturer's original equipment steel latch pin located on the vehicle. Failure to properly install the paddle handle may result in the door accidentally opening. **IMPROPER CLOSURE COULD RESULT IN SERIOUS INJURY OR DEATH TO THE OCCUPANTS > WEAR SEAT BELTS AT ALL TIMES > DRIVE CAREFULLY.**



CAUTION

DO NOT attempt to adjust the Original Equipment Latch Pin. Doing so could result in damage to the pin.

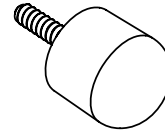
Once there is proper clearance with no interference, tighten all fasteners. Once Rotor Assemblies are attached, close the door. Make sure it locks in position, then adjust the paddle handle adjustment screw outboard until it disengages the rotor assembly. Once it disengages, Tighten the paddle handle jam nut to lock the paddle adjustment screw in place.

NOTE:

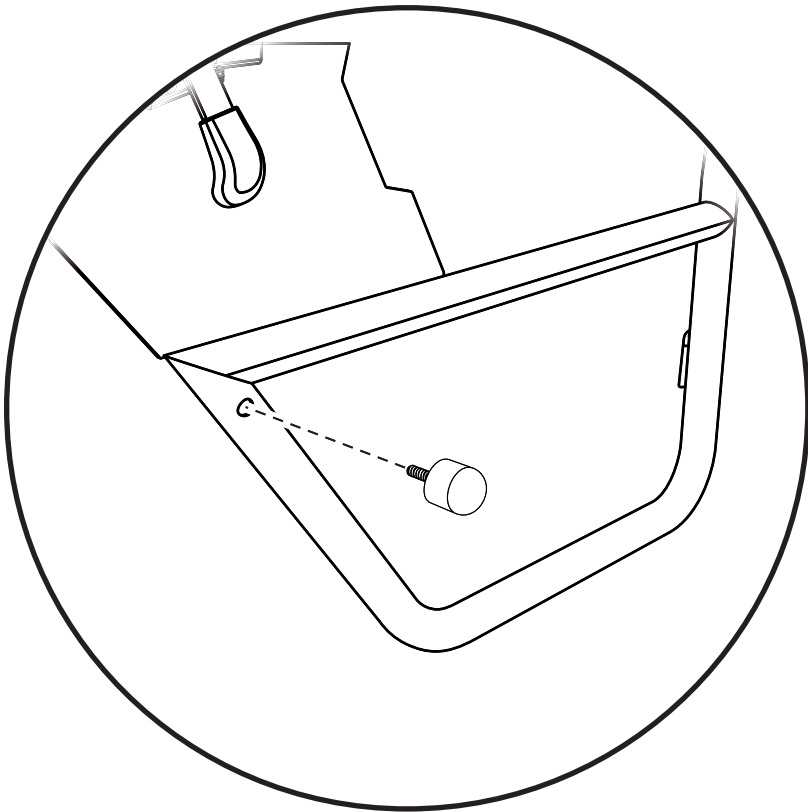
Only tighten these fasteners and the fasteners from the previous installation step after you have actuated the lock mechanism, and made sure that there is clearance between the Rotors and the Rotor Brackets.

Once there is proper clearance, with no interference, tighten all fasteners.

Hardware

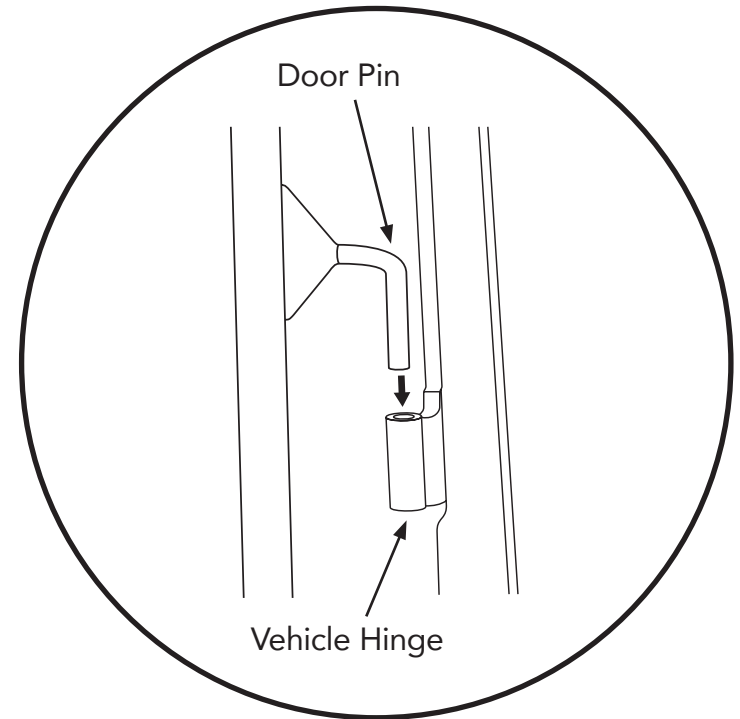
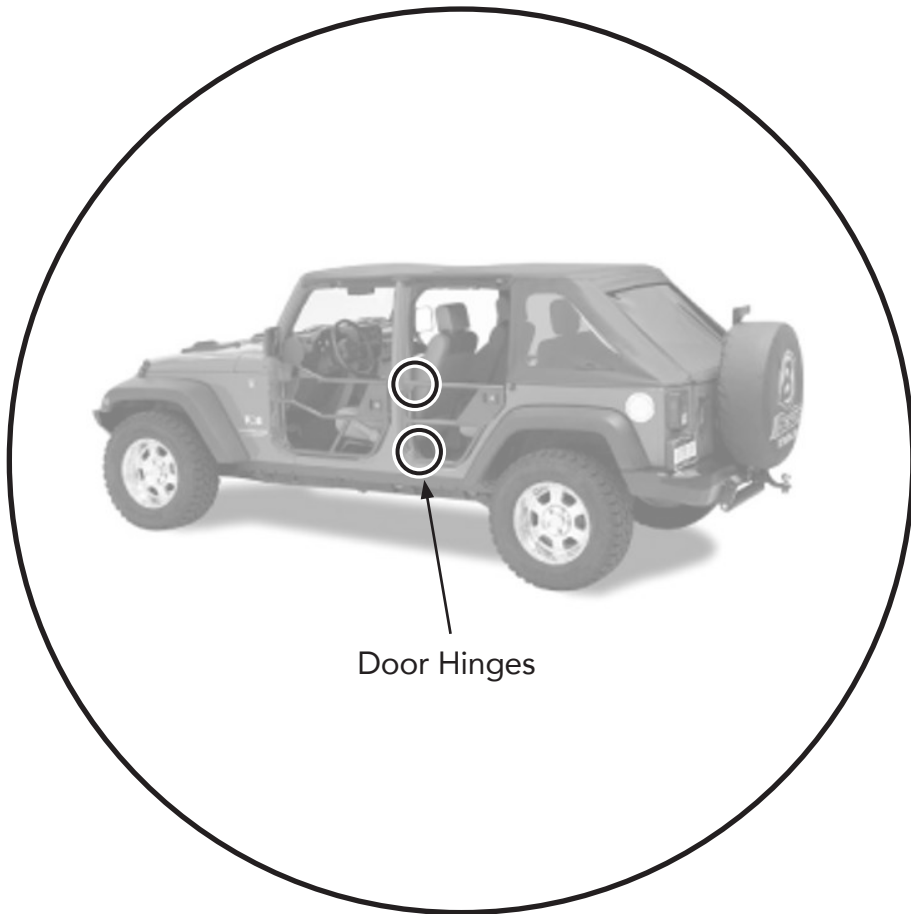


Bumper
Part #585.04
Qty. 2



Attach Bumpers to Element Doors.

Screw a Bumper #585.04 into the threaded hole in the lower rear inside portion of each Element Door.

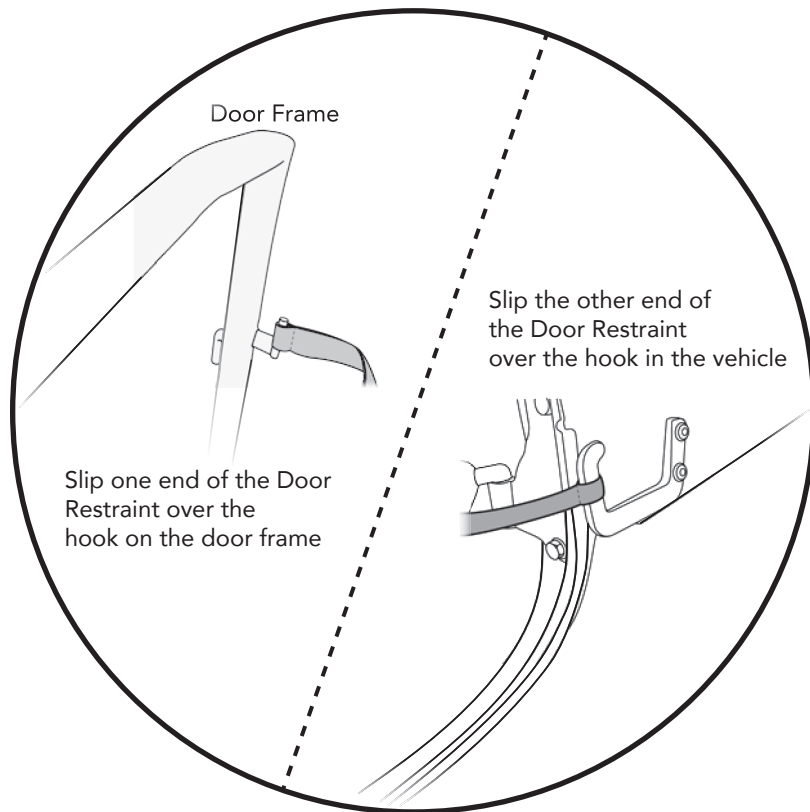
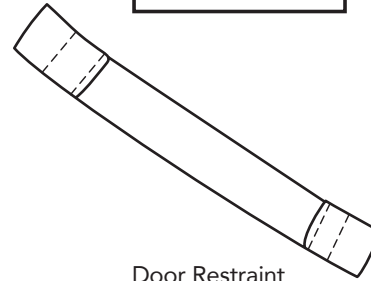


Hold the door straight out from the vehicle with the hinge pins over the body hinges.

Lower the pins into the hinges.

Make sure that the pins are fully inserted into the body hinges.

See Detail.

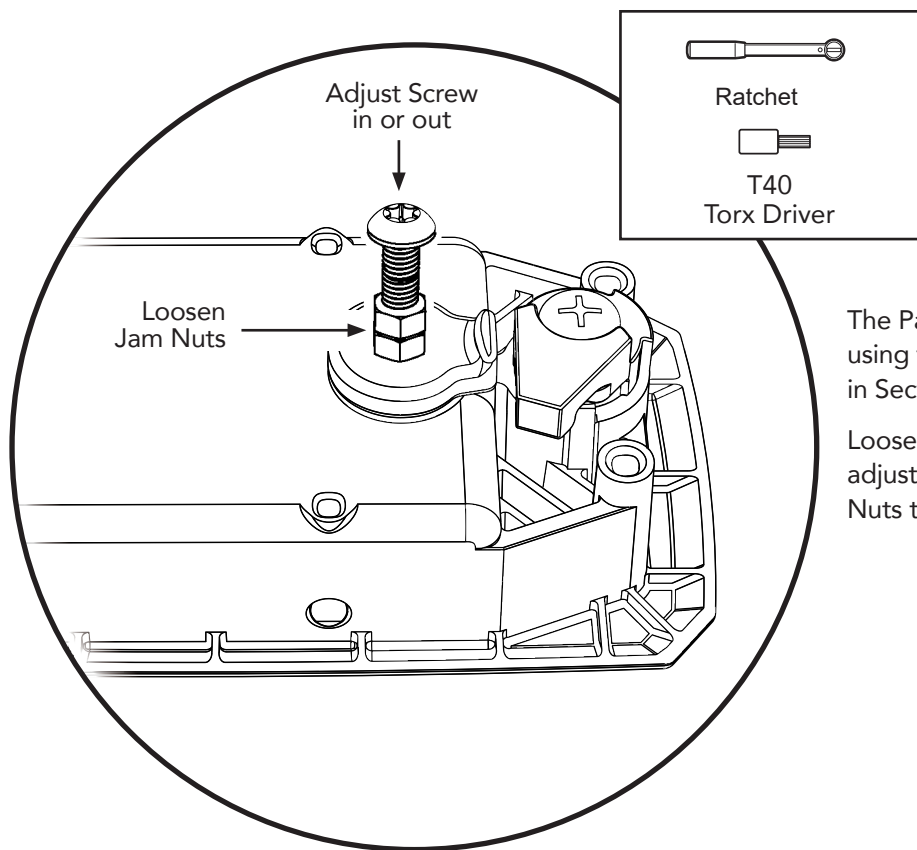
**Hardware**

Door Restraint
Part #428.59
Qty. 2

Step 1

Slip the loop in one end of a Door Restraint over the hook on the door frame.
Slip the loop in the other end of the Door Restraint over the hook on the vehicle body.

Repeat on both sides of the Jeep.



The Paddle Latch mechanism can be adjusted using the Screw and Jam Nuts that you installed in Section 1, Page 4.

Loosen the Jam nuts to allow the Screw to be adjusted in or out, and then re-tighten the Jam Nuts to secure the Screw in place.

For Bestop Warranty Information, Please go to;
<https://www.bestop.com/help/warranty-information/>

