



Installation Instructions Rear 2-Piece Doors with Rotary Latch

Vehicle Application:
Jeep® JL Wrangler Unlimited
2018 - current
Part Number 51751

Installation Tips

Before you install your new Bestop Rear 2-Piece Doors with Rotary Latch, please read all the instructions thoroughly.

! WARNING This product is designed primarily to enhance the appearance of the vehicle and to shield the occupants from ordinary weather conditions. Do not rely in any way on the components of this product to protect against injury or death in the event of an accident. Never operate the vehicle in excess of manufacturer’s specifications.

Read and follow, precisely, all installation instructions provided when installing this product. Failure to do so may result in a poor fit and could place occupants of the vehicle in a potentially dangerous situation.

! CAUTION Safety glasses should be worn at all times when installing this product.

WEAR SEAT BELTS AT ALL TIMES



Tools			Installation Time	Support
 Safety Glasses	 Phillips Screwdriver	 3/8" - 7/16" Wrenches	 30 Minutes	We're here to help! Go to: https://www.bestop.com and click on Need Help?
 Ratchet	 T40 - T50 Torx Drivers	 Utility Knife	Skill Level 1 - Easy	
				 https://www.bestop.com/video-library



Installation Instructions Rear 2-Piece Doors with Rotary Latch

Vehicle Application:
Jeep® JL Wrangler Unlimited
2018-current
Part Number 51751

Sugerencias de Instalación

Antes de empezar a instalar esta unidad, lea atentamente todas las instrucciones.

Para un buen ajuste:

Para facilitar la instalación, el producto debe instalarse a temperaturas superiores a 72 °F (22 °C).

Por debajo de esta temperatura, la tela puede encogerse una pulgada o más, lo que dificultaría su ajuste al vehículo.

Es normal que la tela se contraiga o arrugue cuando está guardada en la caja de empaque. A los pocos días después de la instalación, la tela se relajará y las arrugas desaparecerán.



ADVERTENCIA

Este producto se diseñó principalmente para mejorar la apariencia del vehículo y proteger a los ocupantes de las condiciones climáticas comunes. De ninguna manera piense que los componentes de este producto pueden servir como medio de contención para los ocupantes del vehículo o que pueden protegerlos contra lesiones o la muerte en caso de accidente. Este producto no protegerá a los ocupantes contra caídas de objetos. Nunca conduzca este vehículo fuera de las especificaciones del fabricante.

USE LOS CINTURONES DE SEGURIDAD EN TODO MOMENTO

Lea y siga con precisión todas las instrucciones de instalación que se proporcionan para instalar este producto. Si no lo hace, podría producirse un mal ajuste que colocaría a los ocupantes del vehículo en una situación potencialmente peligrosa.



PRECAUCIÓN

Debe usar gafas protectoras en todo momento durante la instalación de este producto.

Conseils pour l'installation

Lire toutes les instructions au complet avant de commencer l'installation de cet assemblage.

Pour un ajustement sans problème :

Afin de faciliter l'installation, ce produit doit être installé à des températures au-dessus de 72 °F (22 °C).

Sous cette température, le tissu peut rétrécir d'un pouce (2,5 cm) ou plus, ce qui rendra l'ajustement sur le véhicule difficile.

Il est normal que le tissu rétrécisse et plisse pendant qu'il est dans la boîte d'expédition. En quelques jours après l'installation, le tissu se détendra et les plis disparaîtront.



AVERTISSEMENT

Ce produit est conçu principalement pour améliorer l'apparence du véhicule et pour protéger les occupants des conditions météorologiques usuelles. Ne jamais se fier aux composants de ce produit pour se protéger de blessures ou de la mort en cas d'accident. Ce produit ne protégera pas les occupants des chutes d'objets. Ne jamais utiliser le véhicule au-delà des caractéristiques techniques indiquées par le fabricant.

PORTER UNE CEINTURE DE SÉCURITÉ EN TOUT TEMPS

Lire et suivre, très fidèlement, toutes les instructions d'installation fournies lors de l'installation de ce produit. Ne pas suivre cette consigne peut causer une installation inadéquate et mettre les occupants du véhicule dans une situation potentiellement dangereuse.



MISE EN GARDE

Des lunettes de sécurité doivent être portées en tout temps lors de l'installation de ce produit.



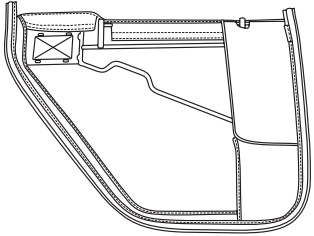
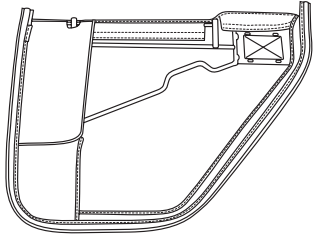
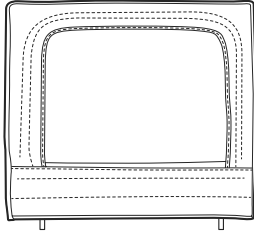
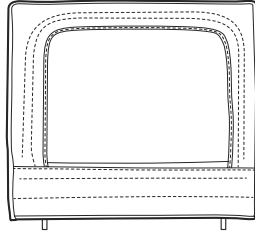
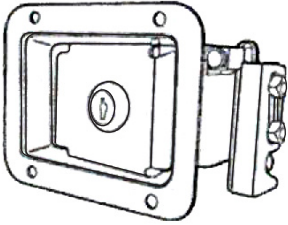
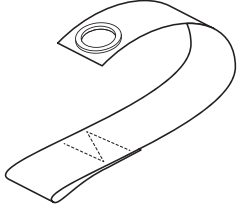

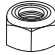

Installation Instructions

Rear 2-Piece Doors with Rotary Latch

Vehicle Application:
Jeep® JL Wrangler Unlimited
2018-current
Part Number 51751

Parts List

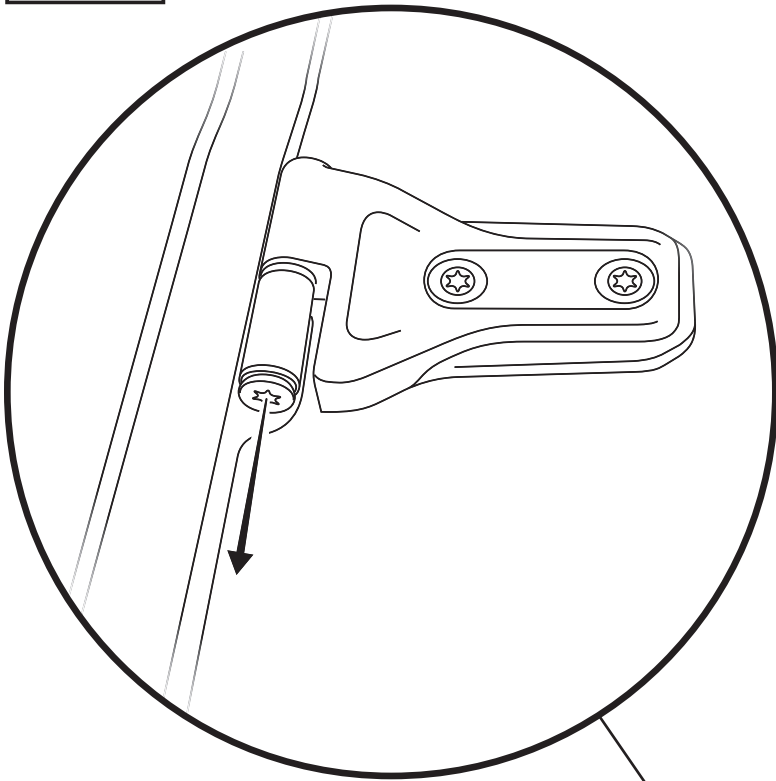
- Required parts for installation - Page number in Installation Guide

All Sections	2-Piece Door Parts		Multiple Pages
 <p>Rear 2-Piece Lower Door Left (Driver) Side Qty. 1</p>	 <p>Rear 2-Piece Lower Door Right (Passenger) Side Qty. 1</p>	 <p>Rear 2-Piece Upper Door Left (Driver) Side Qty. 1</p>	 <p>Rear 2-Piece Upper Door Right (Passenger) Side Qty. 1</p>
 <p>Locking Rotary Paddle Handle Latch Part #459.24 Part #459.25 Qty. 1 of each</p>	 <p>Door Retention Strap Part #606.69</p>	 <p>Allen Wrench Part #276.68 Qty.1</p>  <p>#10-24 Lock Nut Part #195.93 Qty. 8</p>  <p>#10-24 Phillips Screw Part #585.09 Qty. 8</p>	

Step 1

Tools

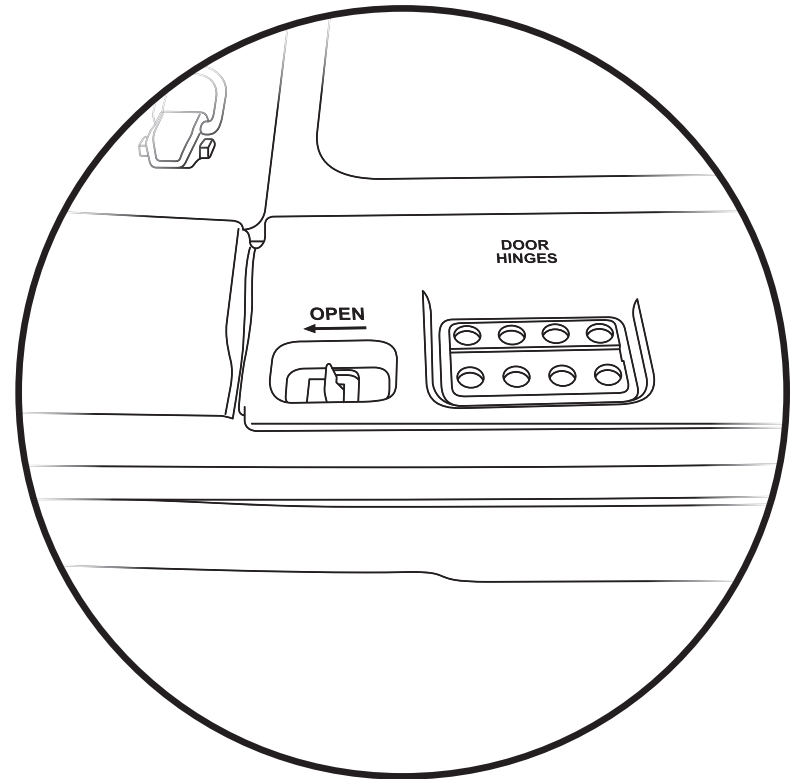
Step 2



Ratchet



T50
Torx Driver

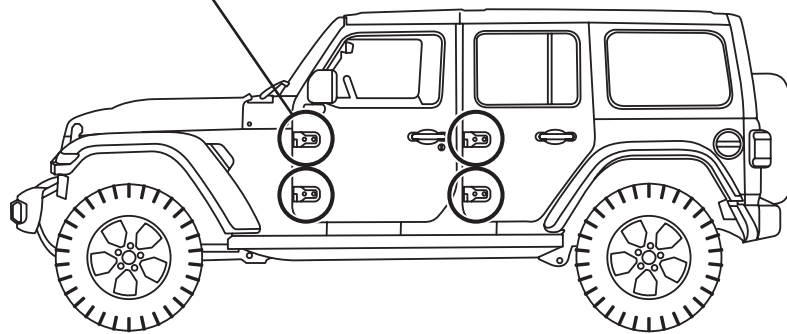


Step 1

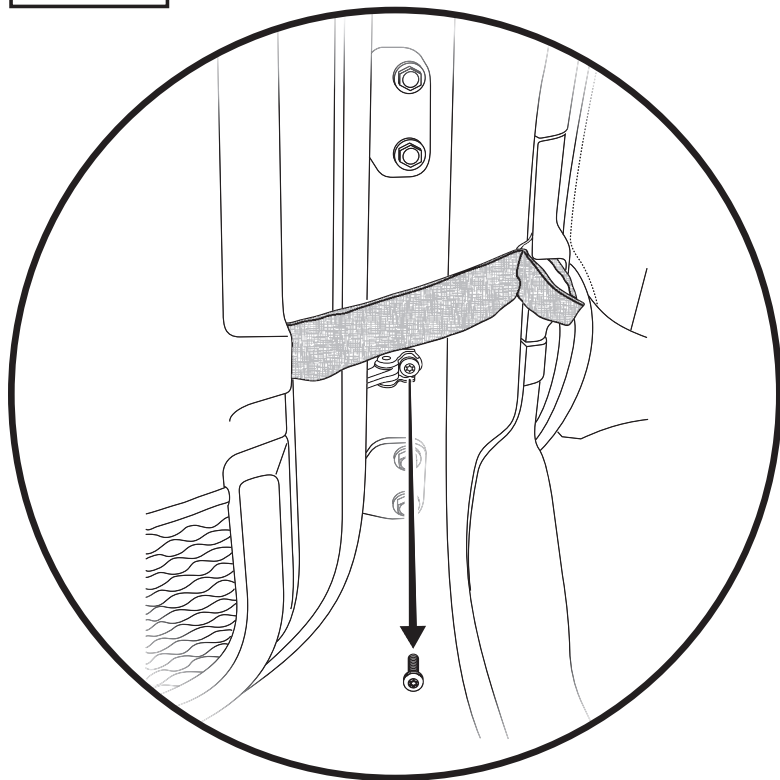
Using a T50 Torx bit, remove the Hinge Screws from the bottom of each door hinge - 2-door or 4-door.

Step 2

Store the Door Hinge Screws underneath the hinged floor cover at the rear of the Jeep.



Step 1



Tools

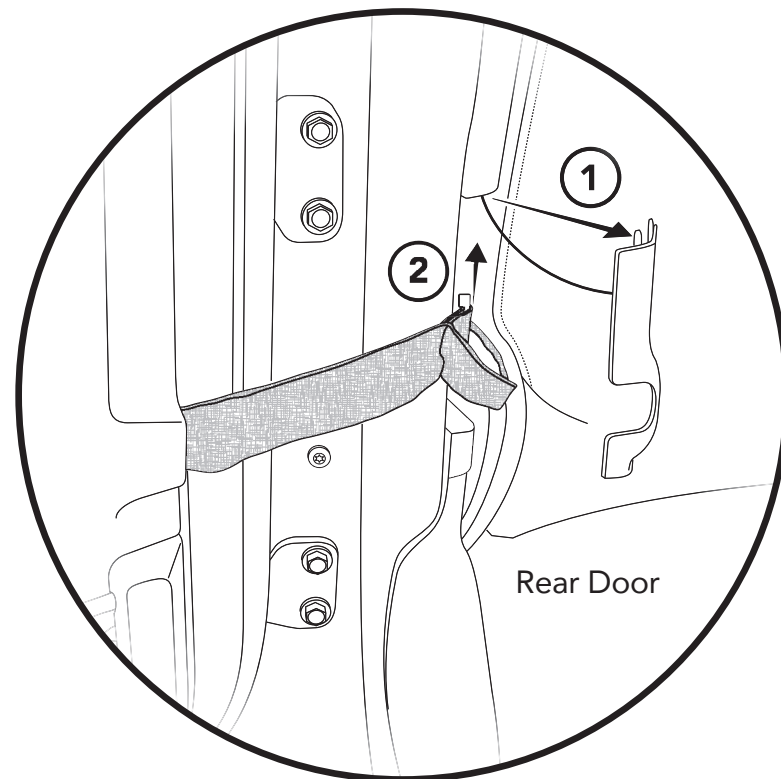


Ratchet



T40
Torx Driver

Step 2



Step 1

Using a T40 Torx bit, remove the door linkage screw on the inside of the door frame.

Move the door linkage aside and replace the screw.

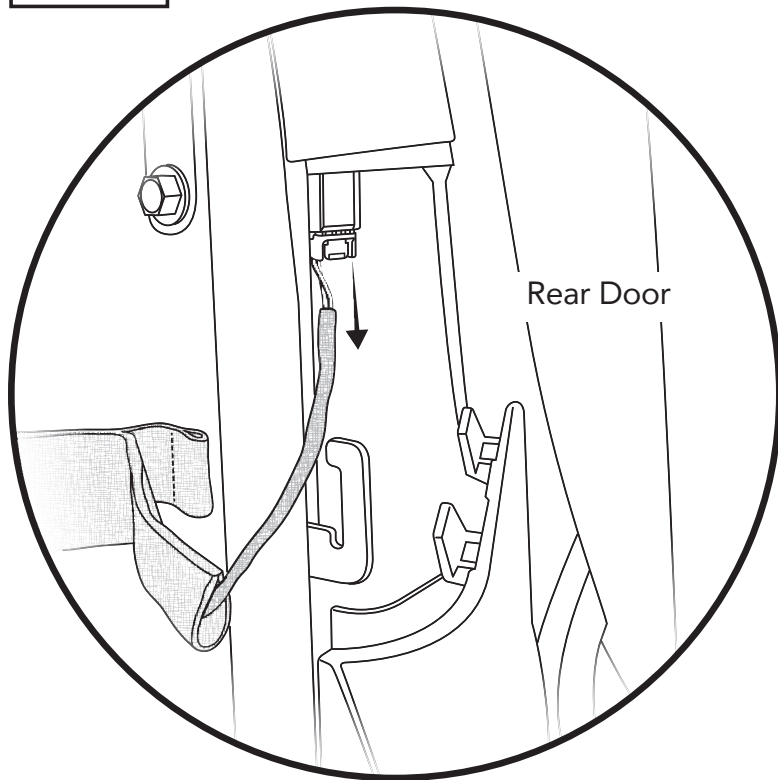
Do this on each door that you are removing, on both 2 and 4-door Jeeps.

Step 2

Rear Door:

- ① Remove the tethered plastic cover over the Door Retention Strap Hook.
- ② Remove the loop end of the Door Retention Strap from the Hook. Lift the loop up and off of the metal hook.

Step 1



Step 1

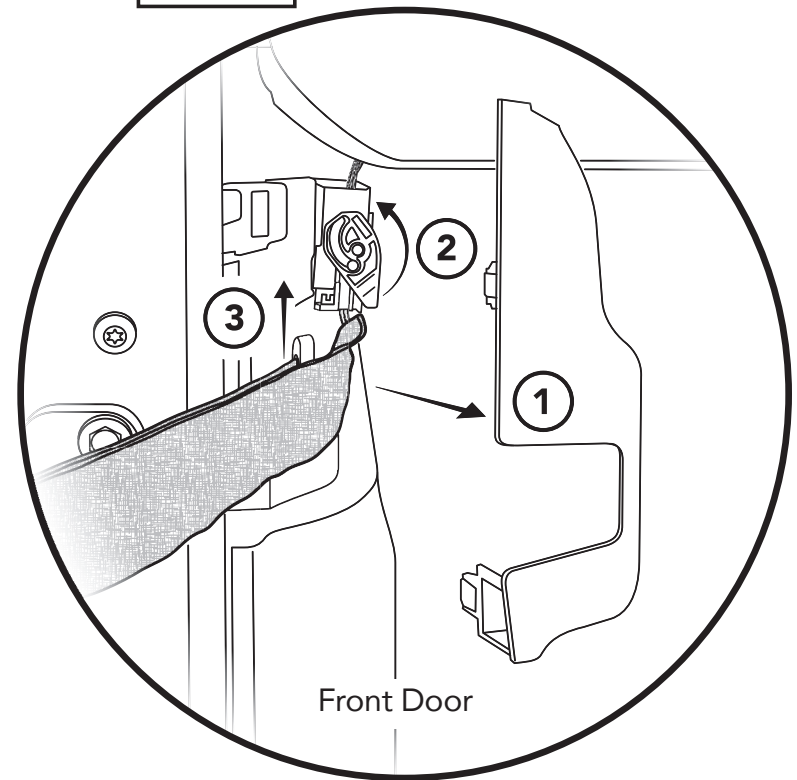
Rear Door:

With the tethered plastic cover removed, unplug the connector behind the cover, and at the end of the wrapped wire bundle that is inside of the door restraint strap.

Replace the plastic cover after you have unplugged the connector.

You may now lift this door off the hinge.

Step 2



Step 2

Front Door:

① Remove the tethered plastic cover over the Door Retention Strap Hook.

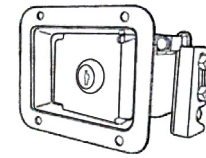
② Slide the red latch on the connector up, and pivot the white receptacle lock 180°, and remove the connector.

③ Remove the loop end of the Door Retention Strap from the Hook. Lift the loop up and off of the metal hook.

You may now lift this door off the hinge.

Step 1	459.25	459.24	585.09	195.93
---------------	--------	--------	--------	--------

Hardware



Locking Rotary Paddle
Handle Latch
Part #459.24
Part #459.25
Qty. 1 of each

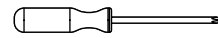


#10-24 Lock Nut
Part #195.93
Qty. 8



#10-24 Phillips Screw
Part #585.09
Qty. 8

Tools



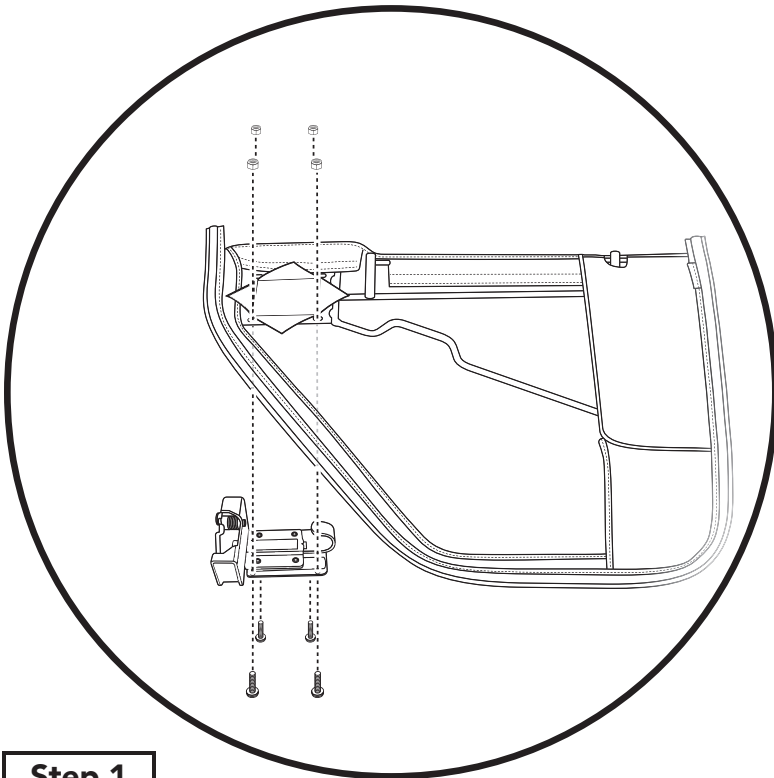
Phillips Screwdriver



3/8" Wrench



Utility Knife



Step 1

From the inside, fold back the triangles of fabric from the X-cut in the Left Door.

From the outside, place the Paddle Latch #459.24 over the hole in the door fabric. Use a Utility Knife to cut holes in the fabric where the screws will go.

Secure the entire assembly using four (4) #10-24 Phillips Screws #585.09 and four (4) #10-24 Lock Nuts #195.93. The screws go on the outside, and the Lock Nuts on the Inside. Trim excess fabric as necessary.

Do Not Tighten the screws until after making the adjustments as described in Section 6, Step 1.

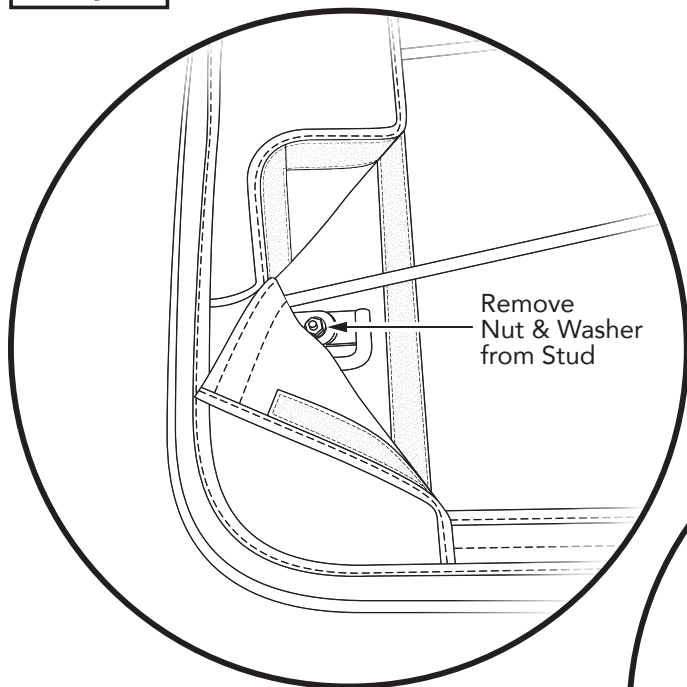
Repeat on the Right Door.



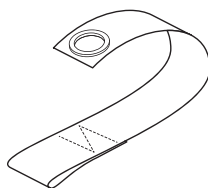
NOTE: The Rotary Latch Paddle Handle will only latch on the vehicle manufacturer's original equipment steel latch pin located on the vehicle.

Do not adjust or remove this part.

Step 1

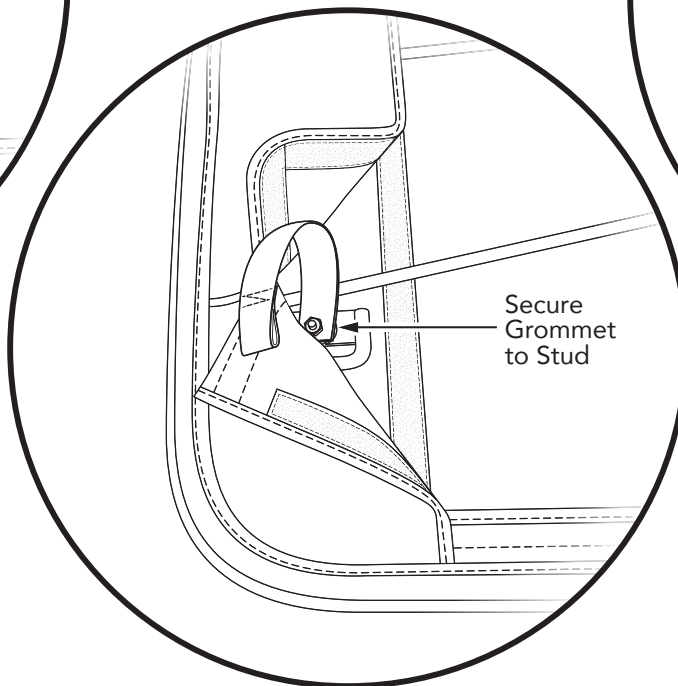


Hardware

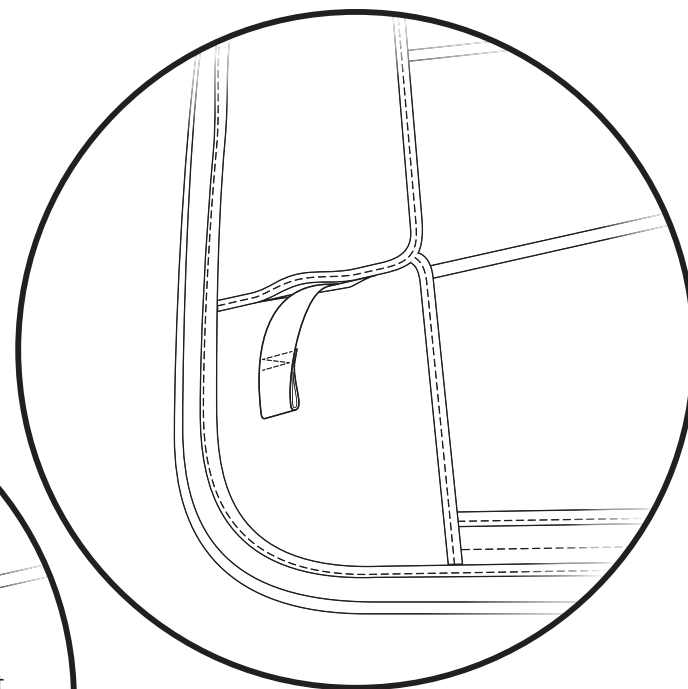


Door Retention Strap
Part #589.07
Qty. 2

Step 2 589.07



Step 3



Step 1

At the bottom front inside corner of each door, fold back the fabric to expose the stud with Nut and Washer.

Remove the Nut and Washer.

Step 2

Place the Door Retention Strap #606.69 Grommet over the stud. Secure the Strap with the Nut and Washer which you removed.

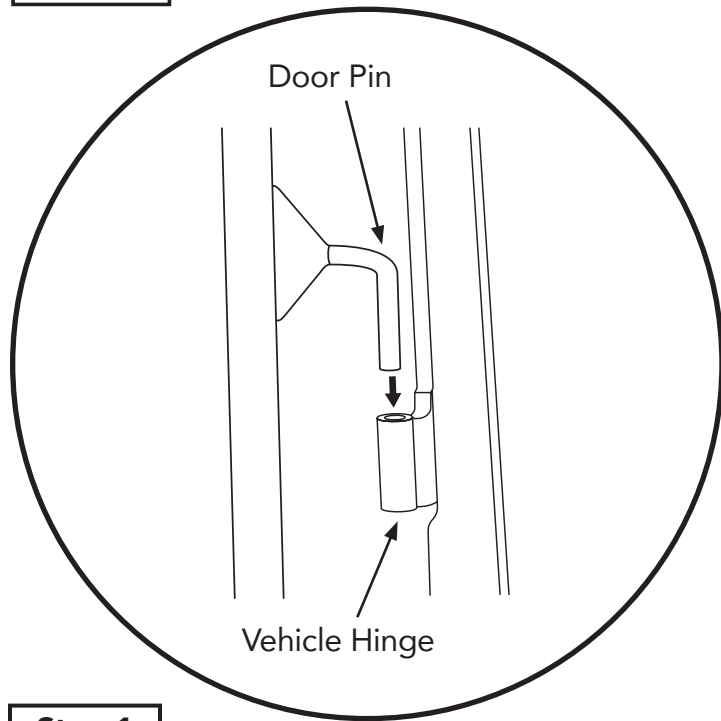
Step 3

Place the fabric back into place with the loop end of the Strap exiting from between the overlapping fabric edges.

Tools



7/16" Wrench

Step 1**Step 1**

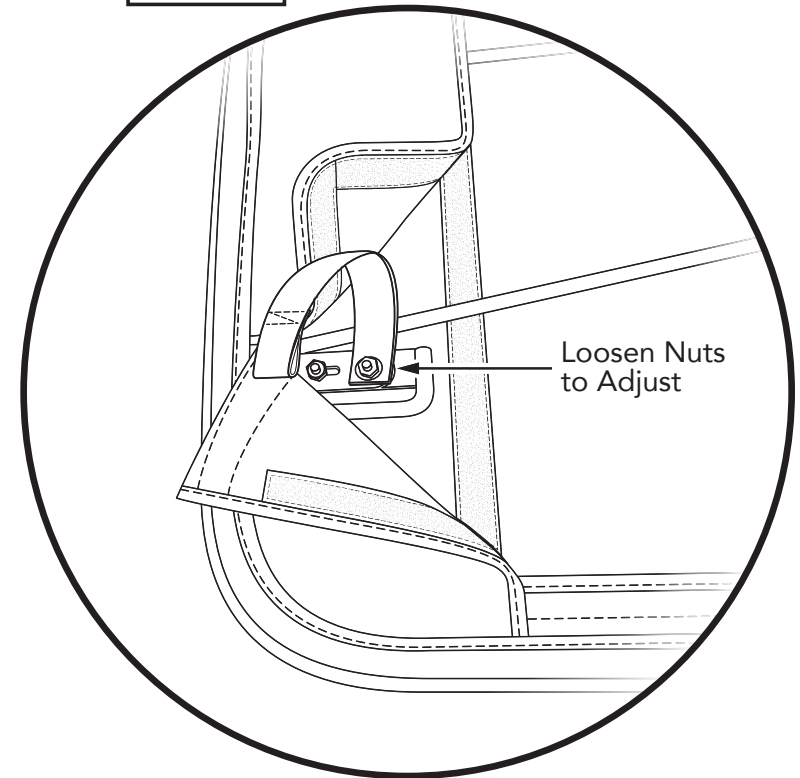
Hold the door straight out from the vehicle with the hinge pins over the body hinges.

Lower the pins into the hinges.

Make sure that the pins are fully inserted into the vehicle body hinges.

Close the door and check all sides to make sure that the door fits properly against the vehicle body.

The latch can be adjusted for the best contact with the latch pin by loosening the four (4) mounting screws and sliding the latch forward or rearward. Tighten all screws after adjustment.

Step 2**Step 2**

If necessary, adjust the doors for a better fit.

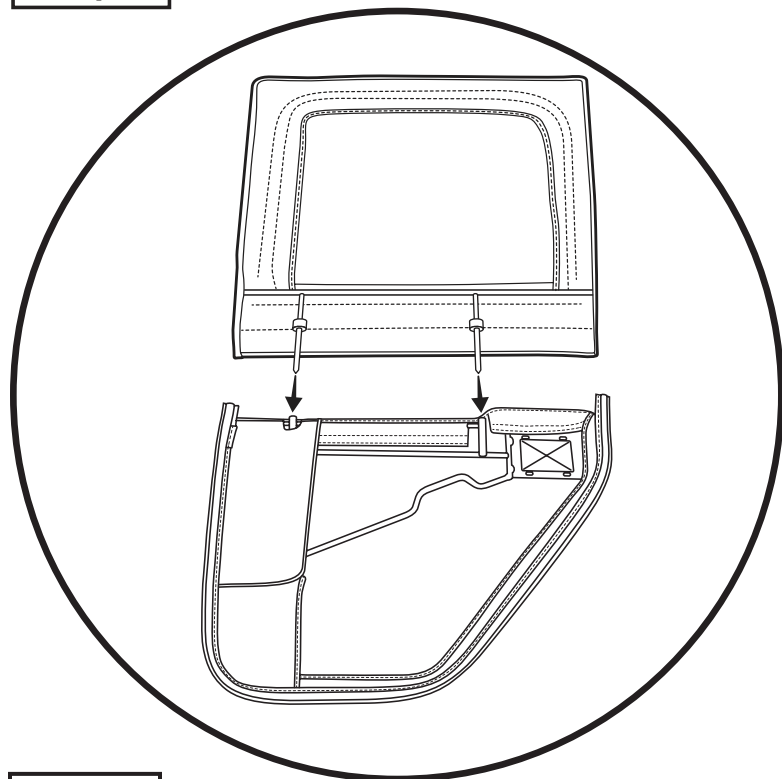
Fold back the fabric panels at the bottom inner front corner of the door, exposing the Lower Pin Adjustment Plate.

Loosen the two nuts using a 7/16" wrench, and slide the Hinge Pin backward or forward as necessary for the best fit.

After adjustment, tighten the nuts.

Attach Door Retention Straps to hooks on vehicle.

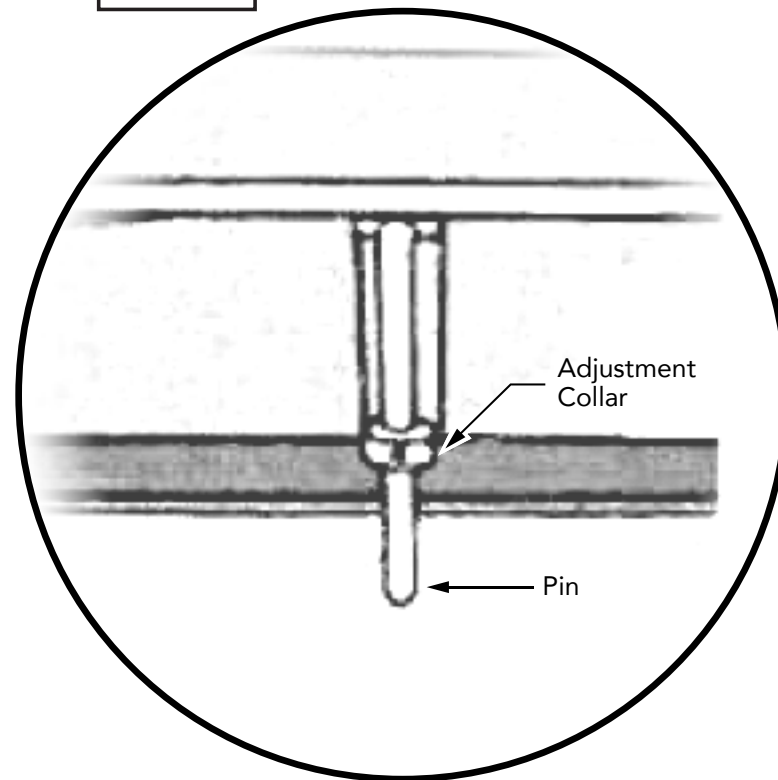
Step 1



Tools

1/8" Allen
Wrench

Detail



Step 1

Install the Upper Doors into the Lower Doors.
Slip the pins into the sockets in each Lower Door. Make sure that the Pins are well seated in the sockets.

Close the door to check that it fits properly against the vehicle body.
If necessary use a 1/8" Allen Wrench to loosen the Adjustment Collars on the Upper Door Pins. (See Detail).

The Collars will slide up and down as needed to provide the best fit of the Upper Door against the vehicle.

Attach the Hook & Loop strips where the Upper and Lower Doors overlap.

NOTE: Lubricate the Upper Door Pins with a light oil to make it easier to install and remove the Upper Doors.



Care and Maintenance of your Bestop Product

Your Bestop product is made of the finest materials available. To keep it looking new and for the maximum possible wear, it will need periodic cleaning and maintenance.

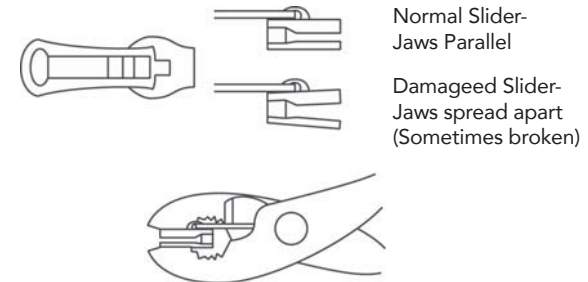
Fabric: The fabric should be washed often using soap, warm water and a soft bristle brush. Rinse with clear water to remove all traces of soap. Bestop recommends using Bestop Cleaner (part no. 11201-00) and Bestop Protectant (part no. 11202-00) for Vinyl fabric and Bestop Twill Protectant (part no. 11207-00) for Twill fabric. Bestop Cleaner and Bestop protectant are specially formulated to provide a total cleaning and protection system. Bestop Cleaner safely removes the toughest stains, will not harm vehicle finishes, is biodegradable and environmentally friendly. Bestop Protectant protects against UV-fading, cracking and hardening, and repels dust, grease, dirt and mildew.

Windows: Keep windows clean to avoid scratching. DO NOT use a brush on the windows! Wash with a water-soaked cloth or sponge and a mild dishwashing detergent. Bestop recommends Bestop Vinyl Window Cleaner (part no. 11203-00), which safely cleans and protects vinyl windows and helps prevent UV damage. NEVER WIPE THE WINDOWS WHEN THEY ARE DRY. Be careful when cleaning snow or frost from the vinyl windows since they are easily scratched and may crack at low temperatures. DO NOT roll the sides or rear window in cold weather. The windows become stiff and will crack. Cracks caused by misuse in cold temperatures are not covered under warranty.

Water: Seeping through at the seams may be stopped by applying 3-M Scotchgard® on the inside of the seams.

Snaps: Keep snaps cleaned and lubricated with silicone to help prevent snaps from sticking to the studs. If a snap does become stuck to a stud, use a screwdriver and GENTLY pry apart to prevent permanent damage to the snap or the top fabric.

Zippers: Keeping zippers cleaned and lubricated with Bestop's Zipper Cleaner (part no. 11206-00) will help prevent damage and keep the zippers in smooth working condition. If a zipper opens behind the slider, the slider may have been spread apart. This problem can usually be repaired by using an ordinary pair of pliers to bring the sides back into parallel. Return slider to the end of the zipper in the normal Open position. Squeeze lightly at first and test the zipper. If the zipper continues to remain open squeeze more firmly with the pliers and try the zipper again. Repeat this procedure until the zipper operates correctly.



For Bestop Warranty Information, Please go to;
<https://www.bestop.com/help/warranty-information/>

