



# Installation Instructions Sunrider for Hardtop

Vehicle Application:  
Jeep JK Wrangler/JK Wrangler Unlimited  
2007-2018  
Part Number 52453

## Installation Tips

**Before you begin installing your new Sunrider for Hardtop, please read all the instructions thoroughly, and watch the Bestop installation video. (See Support section on this page.)**












### For a smooth fit:

For easier installation, the top should be installed at a temperature above 72° F. Below this temperature, the fabric may contract an inch or more, making it difficult to fit the vehicle.

It is normal for the fabric to contract and wrinkle when stored in the shipping carton. Within a few days after installation, the fabric will relax and the wrinkles will disappear.



**CAUTION** Safety glasses should be worn at all times when installing this product.

Tools	Installation Time	Support
 T30 and T40 Torx Drivers  Utility Knife  Safety Glasses <p>- Optional -</p>  Screwdriver (for alignment)  Step Stool	 <b>1 Hour</b>  <b>Skill Level</b>     <b>2 - Moderately Easy</b>	<p>We're here to help!</p> <p>Go to: <a href="https://www.bestop.com/video-library">https://www.bestop.com/video-library</a></p> 

**WARNING** This product is designed primarily to enhance the appearance of the vehicle and to shield the occupants from ordinary weather conditions. Do not rely in any way on the components of this product to contain occupants within the vehicle, or to protect against injury or death in the event of an accident. This product will not protect the occupants from falling objects. Never operate the vehicle in excess of manufacturer's specifications.

### WEAR SEAT BELTS AT ALL TIMES

Read and follow, precisely, all installation instructions provided when installing this product. Failure to do so may result in a poor fit and could place occupants of the vehicle in a potentially dangerous situation.



## Installation Instructions Sunrider for Hardtop

Vehicle Application:  
Jeep JK Wrangler/JK Wrangler Unlimited  
2007-2018  
Part Number 52453

### Sugerencias de Instalación

**Antes de empezar a instalar esta unidad, lea atentamente todas las instrucciones.**

**Para un buen ajuste:**

Para facilitar la instalación, el producto debe instalarse a temperaturas superiores a 72 °F (22 °C).

Por debajo de esta temperatura, la tela puede encogerse una pulgada o más, lo que dificultaría su ajuste al vehículo.

Es normal que la tela se contraiga o arrugue cuando está guardada en la caja de empaque. A los pocos días después de la instalación, la tela se relajará y las arrugas desaparecerán.



#### ADVERTENCIA

Este producto se diseñó principalmente para mejorar la apariencia del vehículo y proteger a los ocupantes de las condiciones climáticas comunes. De ninguna manera piense que los componentes de este producto pueden servir como medio de contención para los ocupantes del vehículo o que pueden protegerlos contra lesiones o la muerte en caso de accidente. Este producto no protegerá a los ocupantes contra caídas de objetos. Nunca conduzca este vehículo fuera de las especificaciones del fabricante.

#### USE LOS CINTURONES DE SEGURIDAD EN TODO MOMENTO

Lea y siga con precisión todas las instrucciones de instalación que se proporcionan para instalar este producto. Si no lo hace, podría producirse un mal ajuste que colocaría a los ocupantes del vehículo en una situación potencialmente peligrosa.



#### PRECAUCIÓN

Debe usar gafas protectoras en todo momento durante la instalación de este producto.

### Conseils pour l'installation

**Lire toutes les instructions au complet avant de commencer l'installation de cet assemblage.**

**Pour un ajustement sans problème :**

Afin de faciliter l'installation, ce produit doit être installé à des températures au-dessus de 72 °F (22 °C).

Sous cette température, le tissu peut rétrécir d'un pouce (2,5 cm) ou plus, ce qui rendra l'ajustement sur le véhicule difficile.

Il est normal que le tissu rétrécisse et plisse pendant qu'il est dans la boîte d'expédition. En quelques jours après l'installation, le tissu se détendra et les plis disparaîtront.



#### AVERTISSEMENT

Ce produit est conçu principalement pour améliorer l'apparence du véhicule et pour protéger les occupants des conditions météorologiques usuelles. Ne jamais se fier aux composants de ce produit pour se protéger de blessures ou de la mort en cas d'accident. Ce produit ne protégera pas les occupants des chutes d'objets. Ne jamais utiliser le véhicule au-delà des caractéristiques techniques indiquées par le fabricant.

#### PORTER UNE CEINTURE DE SÉCURITÉ EN TOUT TEMPS

Lire et suivre, très fidèlement, toutes les instructions d'installation fournies lors de l'installation de ce produit. Ne pas suivre cette consigne peut causer une installation inadéquate et mettre les occupants du véhicule dans une situation potentiellement dangereuse.



#### MISE EN GARDE

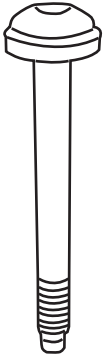
Des lunettes de sécurité doivent être portées en tout temps lors de l'installation de ce produit.



# Installation Instructions Sunrider for Hardtop

Vehicle Application:  
Jeep JK Wrangler/JK Wrangler Unlimited  
2007-2018  
Part Number 52453

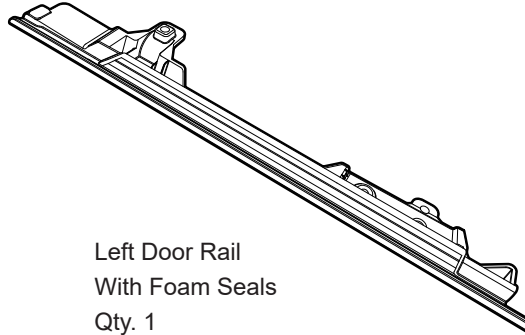
## Parts List



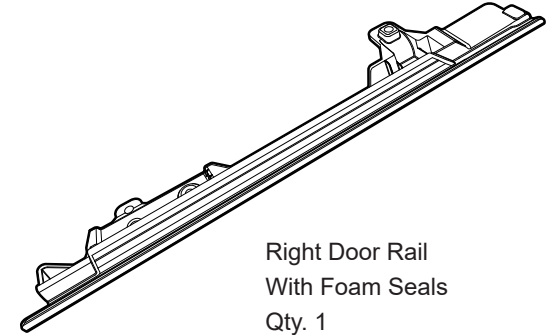
M8 x 1.25 x 80  
Qty. 4  
Part # 532.23



Flanged  
Button-Head Screw  
M6x 1.0x 25mm  
Qty. 6  
Part # 535.23

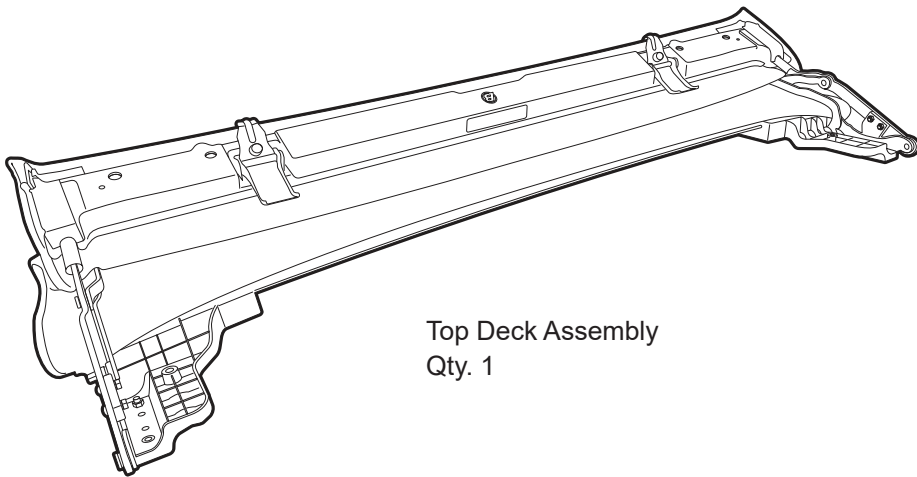


Left Door Rail  
With Foam Seals  
Qty. 1  
Part # 516.91

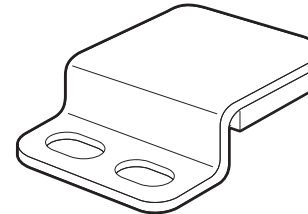


Right Door Rail  
With Foam Seals  
Qty. 1  
Part # 516.90

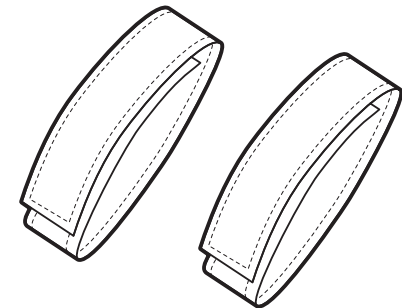
**NOTE:** These part numbers are for the complete assembly.  
The numbers shown on the part are for the molded piece only.



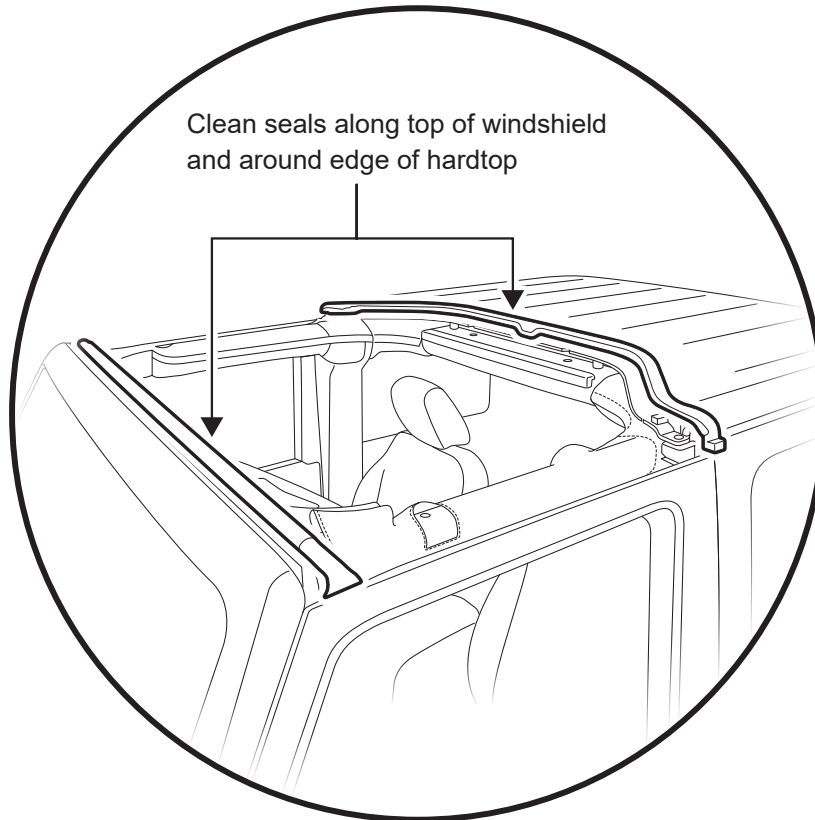
Top Deck Assembly  
Qty. 1



Rear Attach Bracket  
Qty. 2  
Part # 517.10

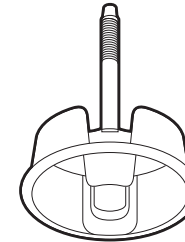


Sunrider Tie-Down Straps  
Qty. 2  
Part # 410.42



**Vehicle-Equipped  
Mushroom Knob**

Qty. 2



**Save the large Mushroom Knobs  
for re-use when installing the  
Sunrider for Hardtop.**

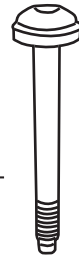
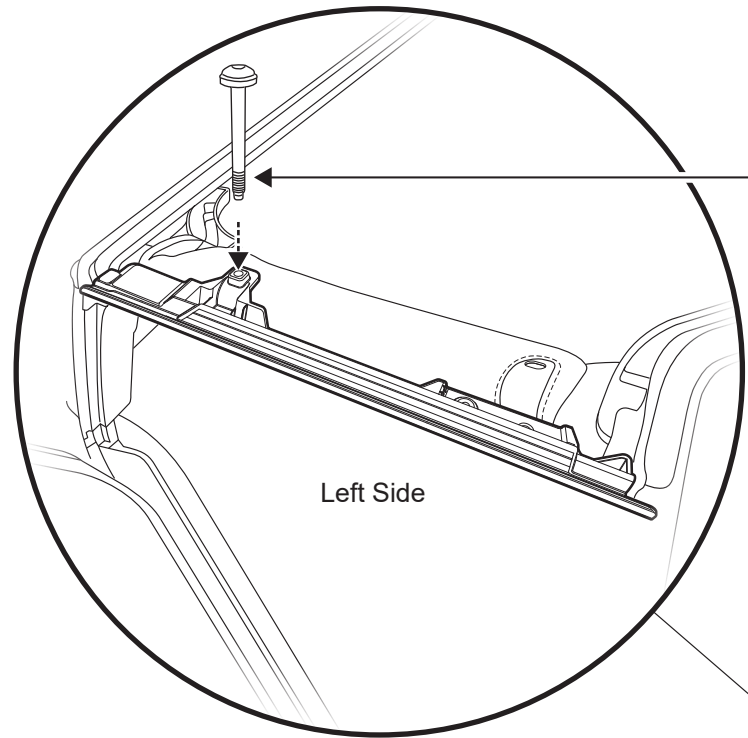
**Step 1**

Remove both hardtop freedom panels, according to instructions in your owner's manual. **Save the large Mushroom Knobs for re-use when installing the Sunrider for Hardtop.**

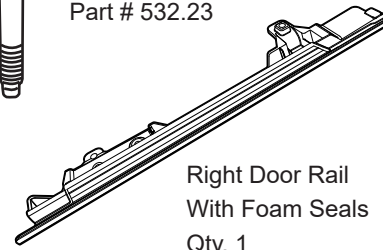
Clean the windshield and hardtop seals with soap, warm water and a soft cloth.

Rinse thoroughly with clean water to remove all soap residue, and dry the seals before installing the Sunrider for Hardtop.

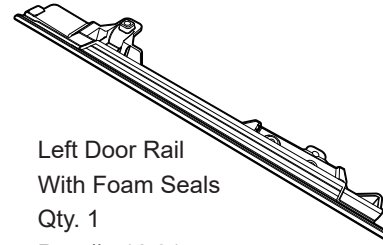
**Hardware**



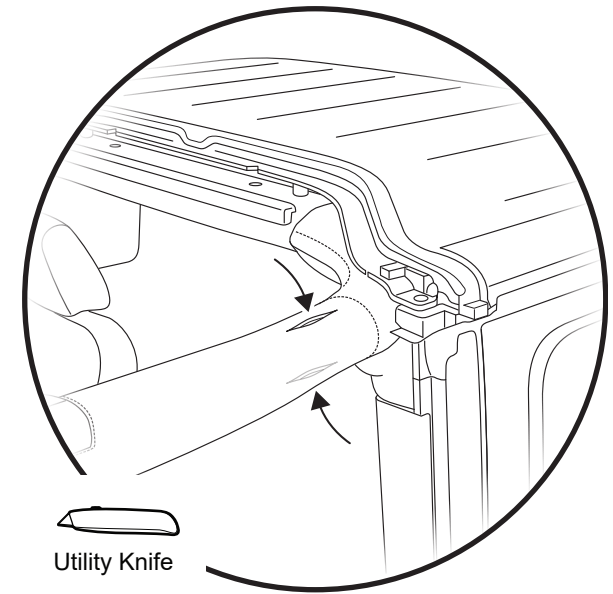
M8 x 1.25 x 80  
Qty. 2  
Part # 532.23



Right Door Rail  
With Foam Seals  
Qty. 1  
Part # 516.90



Left Door Rail  
With Foam Seals  
Qty. 1  
Part # 516.91



Utility Knife

**4-Door Vehicles:**

Make two incisions in the sport bar padding on each side of the vehicle before installing rear Screws.

Install the Left Door Rail on the vehicle using one of the M8 Screws.

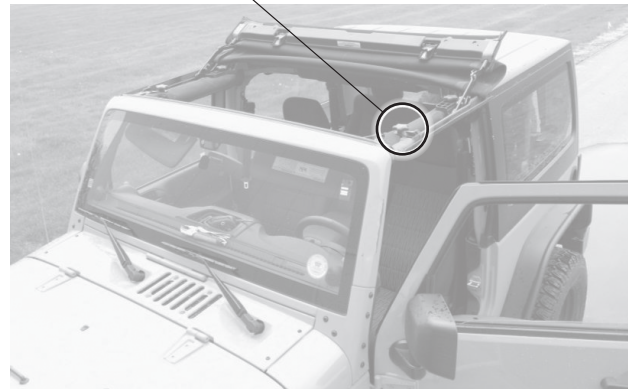
Only install the front Screw at this step.

**Do not tighten the screw completely at this point.**

Repeat on the right side of the vehicle.

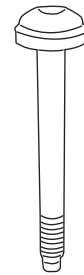
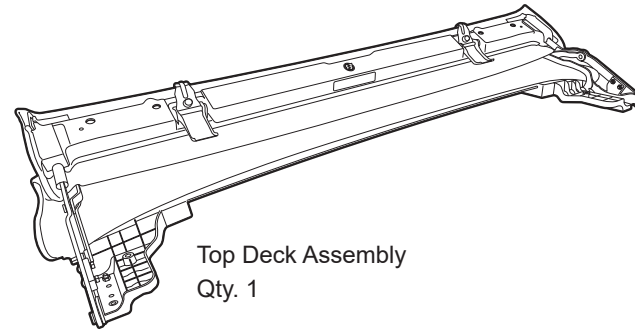
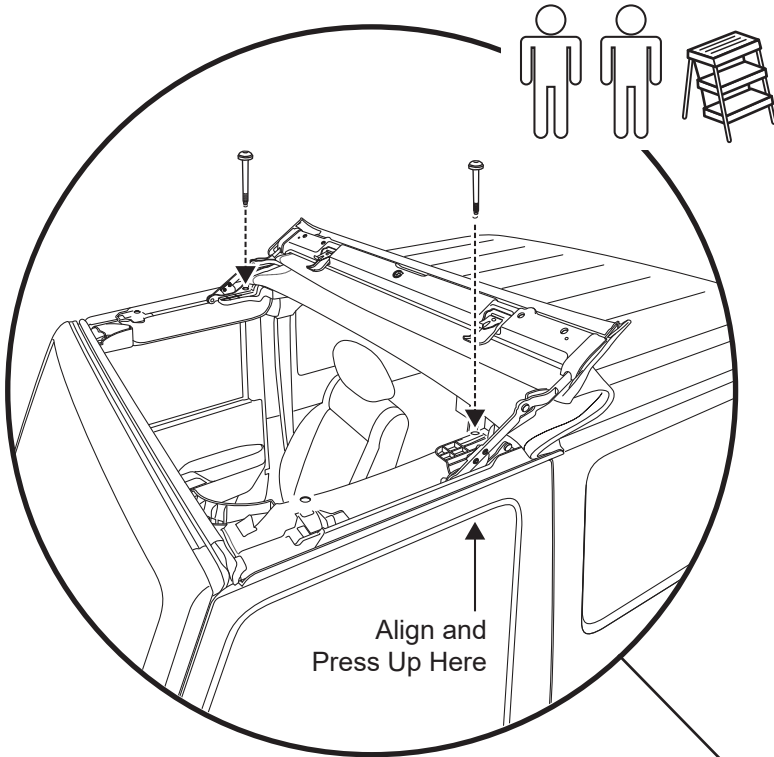
**NOTE:** 4-Door vehicles will require two incisions in the sport bar padding on each side to install the rear screws.

**DO NOT REMOVE** the foam pieces installed on the door rails. They are pre-installed to provide protection and seal the top from water leaks.





**Hardware**



M8 x 1.25 x 80  
Qty. 2  
Part # 532.23

**NOTICE**

It will be helpful to have two (2) people available for this step and a small step stool or ladder to reduce the difficulty installing the Top Deck Assembly.

Be sure to inspect and align the pieces and press up from below when installing the knobs.

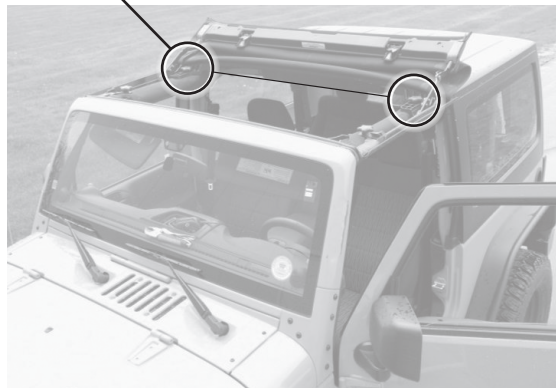
Install the deck assembly on the vehicle.

The molded side of the deck assembly rests on top of the sport bar padding.

Line up the holes through the footpad on the deck assembly with the holes in the rear of each door rail. Install an M8 Screw through each hole.

**Do not tighten the Screws at this time.**

**TIP:** You can use a small screwdriver to help align the Top Deck Assembly and Door Rail. Be sure to align the pieces and press up from below when installing the screws.

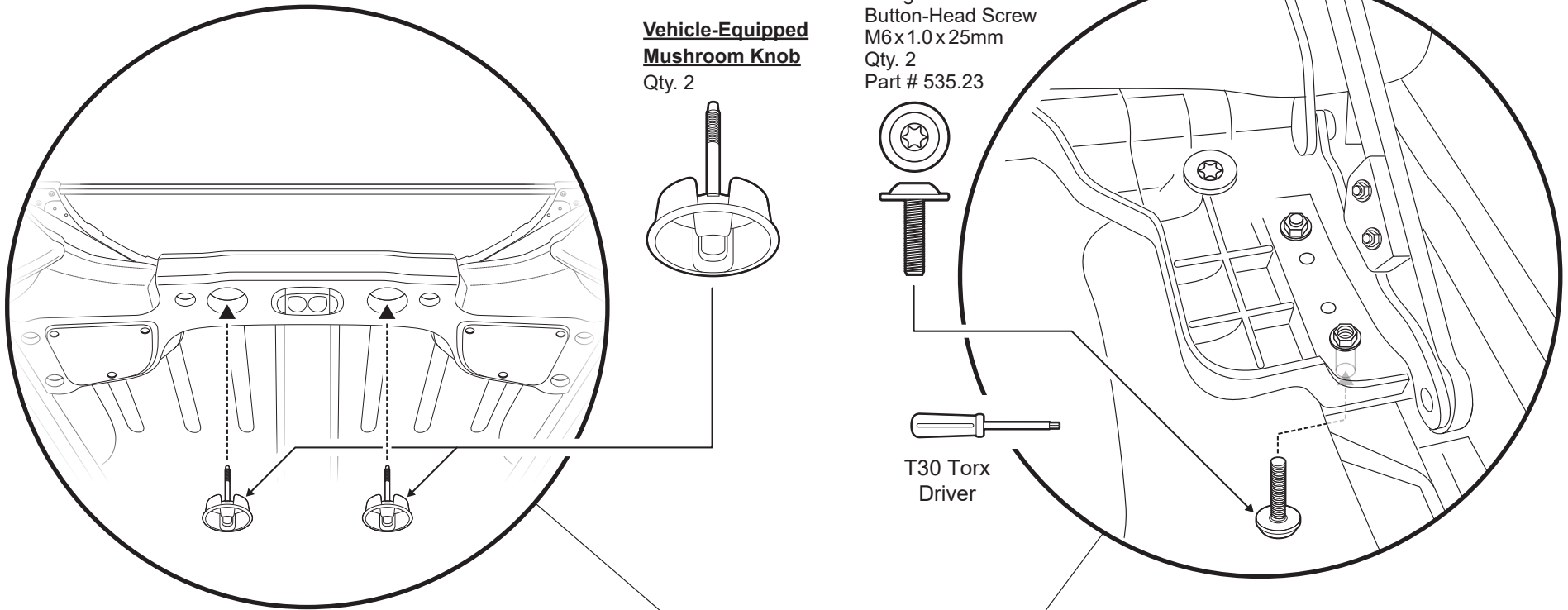


## Hardware

**Vehicle-Equipped  
Mushroom Knob**  
Qty. 2

Flanged  
Button-Head Screw  
M6 x 1.0 x 25mm  
Qty. 2  
Part # 535.23

T30 Torx  
Driver



Install the **vehicle-equipped mushroom knobs** originally supplied with the vehicle hardtop panels, and removed in Section 1, up through the bottom of the sound bar in the locations shown.

Do not tighten the vehicle-equipped mushroom knobs at this time.



Using the T30 Torx driver, install one M6 x 1.0 x 25mm Flanged Button-Head Screw through the left door rail and into the metal bracket with the weld-nut, from the underneath side.

Make sure to tighten this screw firmly.

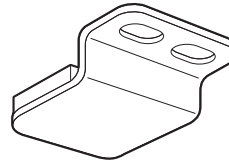
Repeat this process on the right side of the vehicle.

**NOTICE**

Use caution when aligning the parts to avoid cross-threading or stripping screws during installation.

**Hardware**

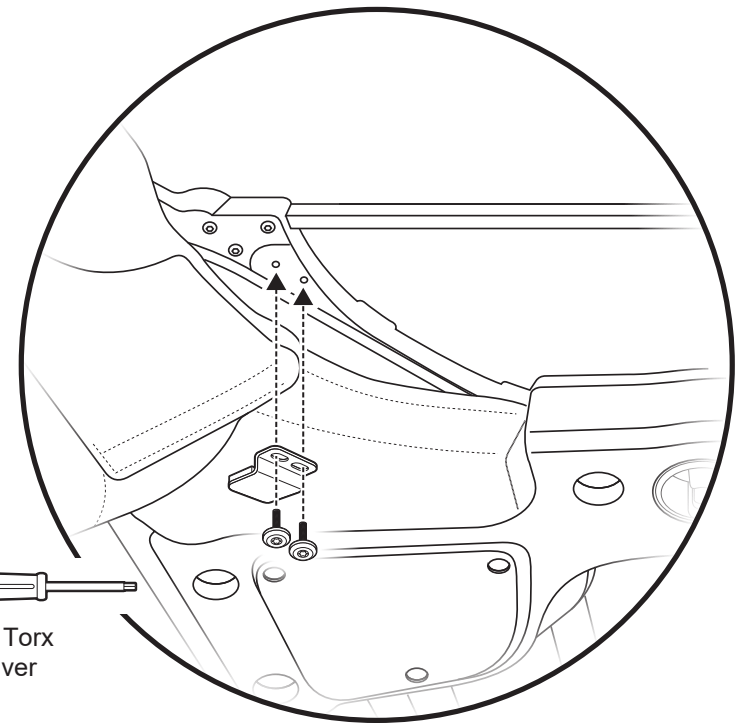
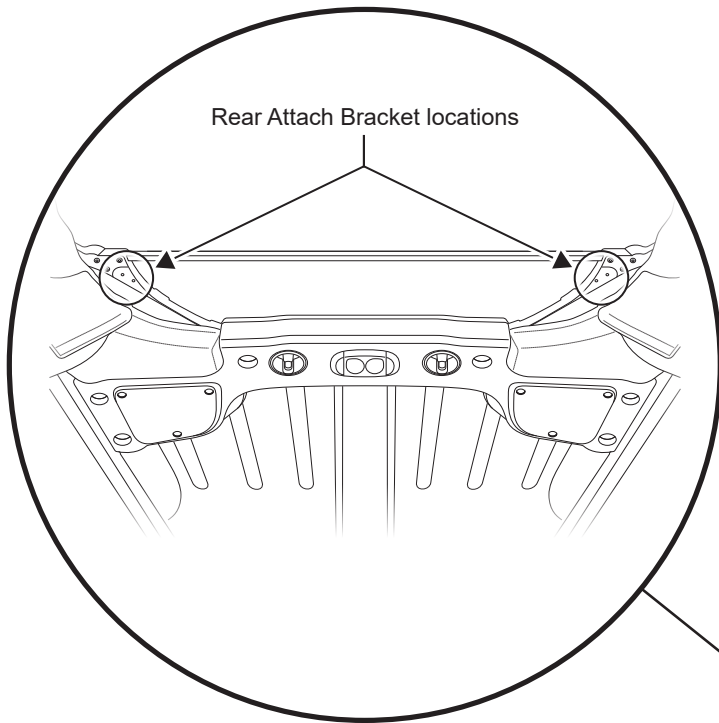
Rear Attach Bracket  
Qty. 2  
Part # 517.10



Flanged  
Button-Head Screw  
M6x1.0x25mm  
Qty. 2 per Bracket  
Part # 535.23



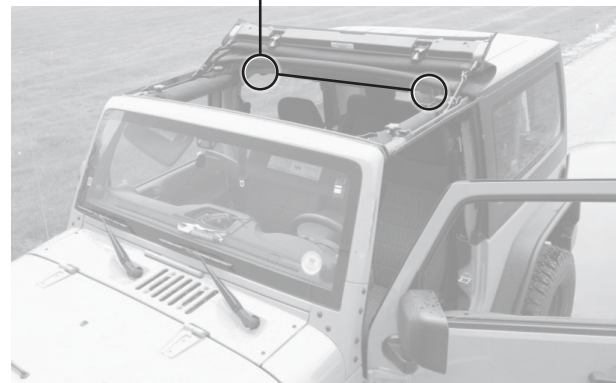
T30 Torx  
Driver



Using the T30 Torx driver, install the Rear Attach Brackets with two (2) M6 x 1.0 x 25mm Flanged Button-Head Screws per bracket.

The brackets are installed on the underneath side of the Sunrider injection-molded rear assembly, and secure the Sunrider for Hardtop to the vehicle hard top.

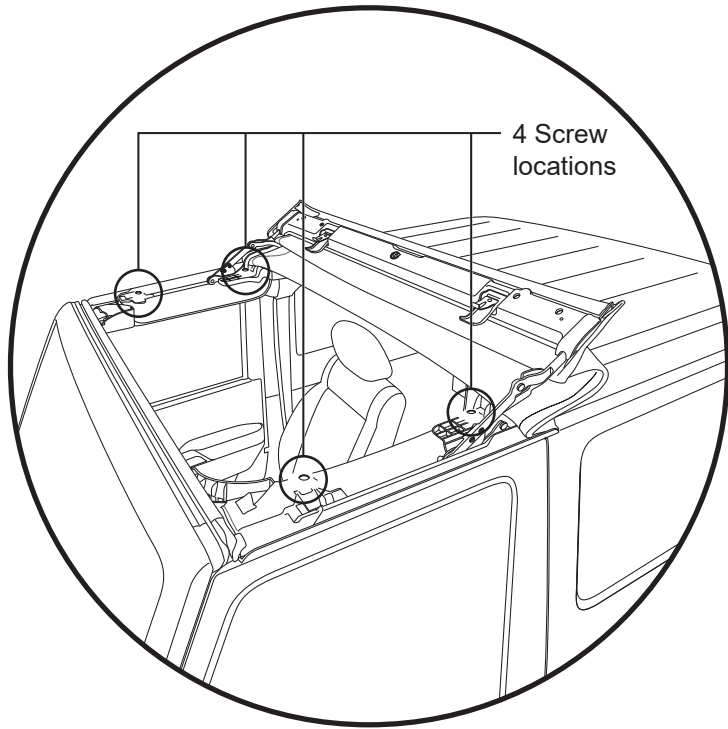
One bracket for each side of the vehicle.



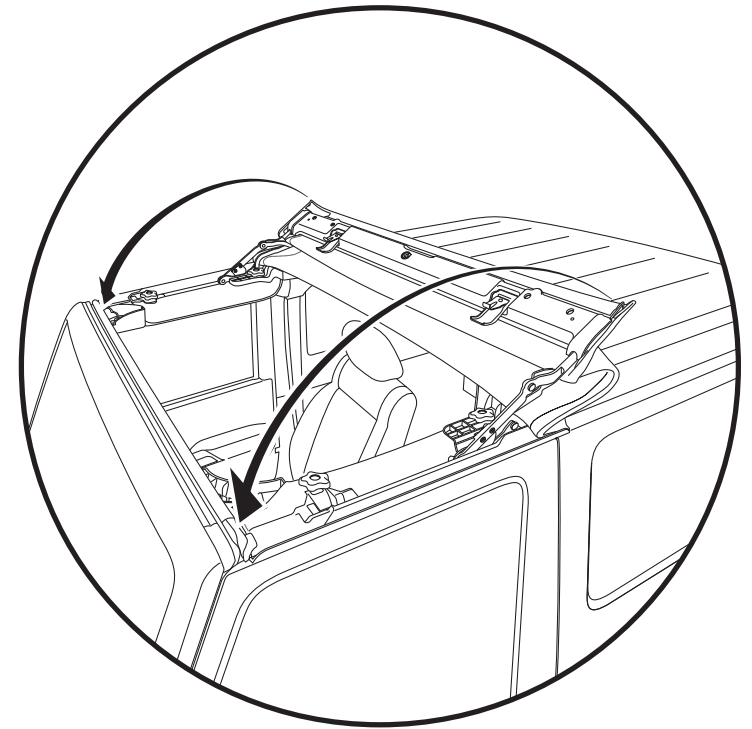
**NOTICE**

Use caution when aligning the parts to avoid cross-threading or stripping screws during installation.





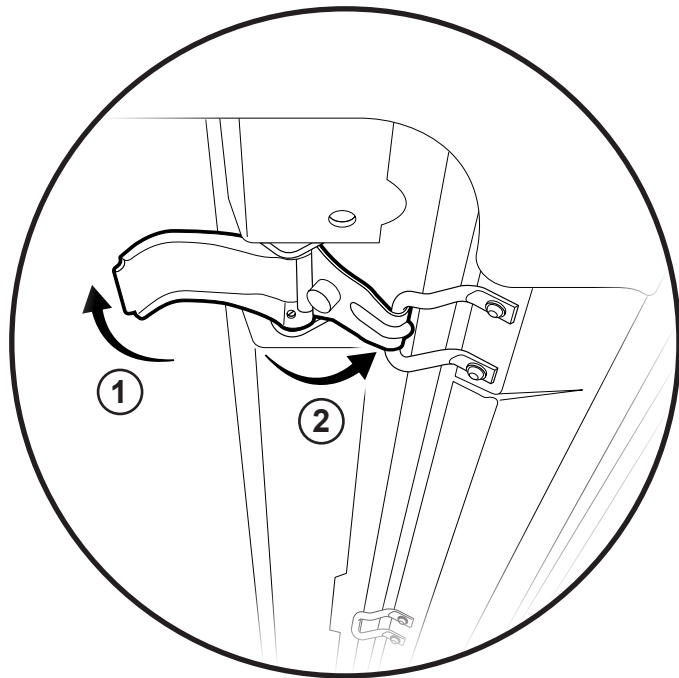
Tighten all four of the screws and 2 knobs to 55in/lbs (4.5ft/lbs) at this time.



Fold down the Sunrider for Hardtop by pulling the header toward the front of the vehicle, and down into the closed position.

2 Knob locations

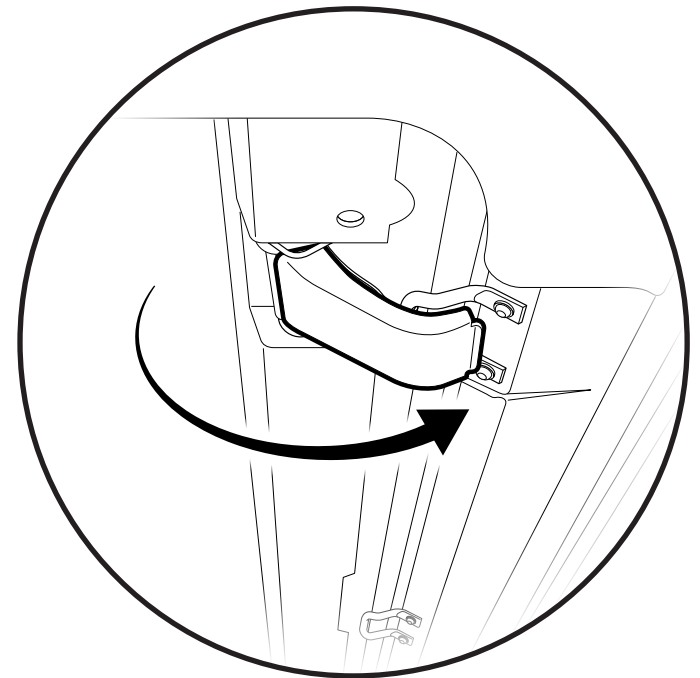




From inside the Jeep, locate the two Windshield Header Latches. To close the latch, pivot the latch handle to the completely open position to allow the hook to engage the windshield loop. Now pivot the hook forward to engage the windshield loop.

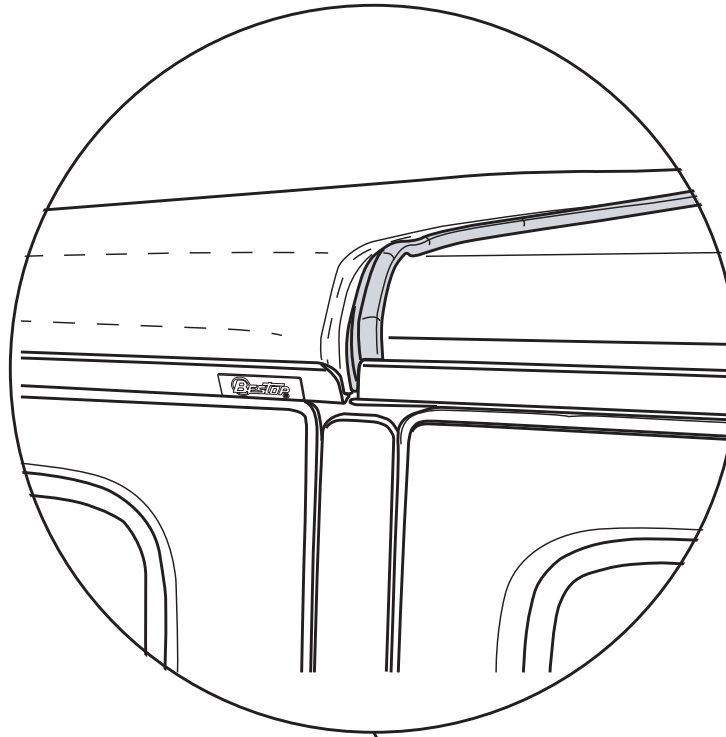
Because of the tightness of the fabric, you may have to pull down on the Header Assembly to get the hooks to engage the windshield loops. **TIP: Moving the sun visor out of the way makes this step easier.**

Repeat on both sides of the vehicle before proceeding to Step 2.



When the hook is engaged with the windshield loop, close the latch by pivoting it forward toward the windshield.

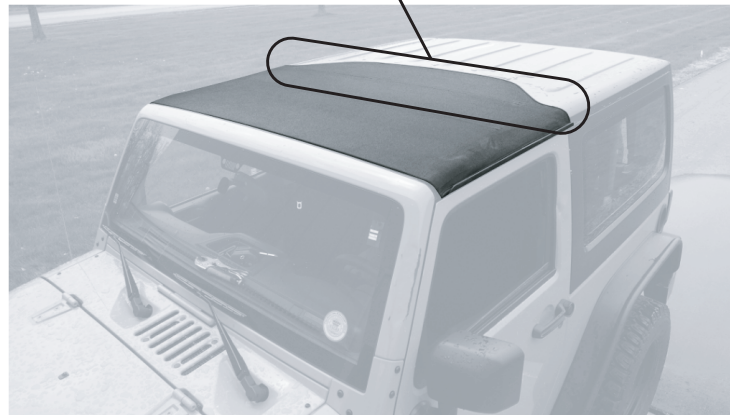
Repeat on both sides of the vehicle.



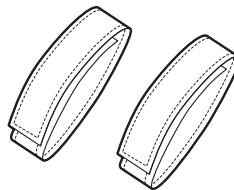
Scan QR Code for a  
Helpful Short Video

With the Sunrider for Hardtop latched, check the seal between the Sunrider for Hardtop and the rear hardtop. The seal should fit well and cover the channel between the Sunrider for Hardtop and the rear hardtop, with no kinks, folds, or bulges visible from the outside.

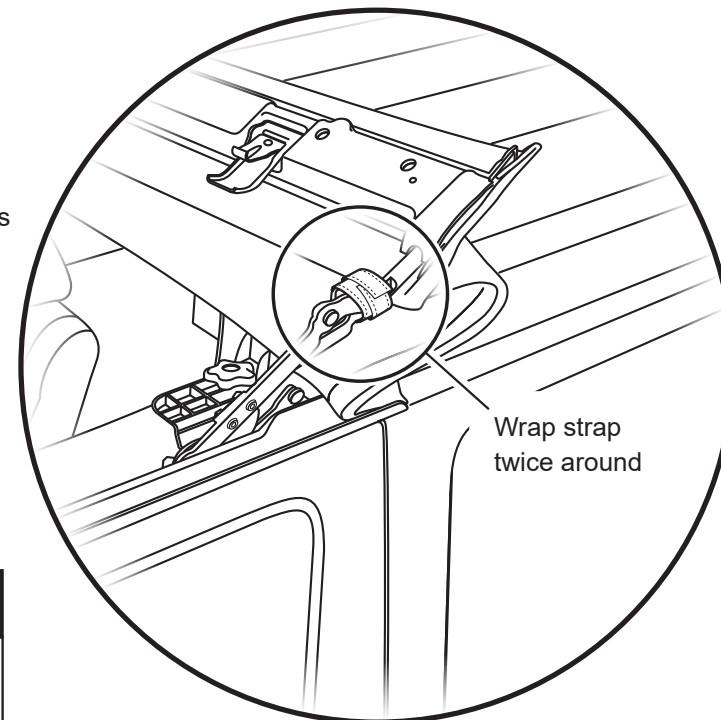
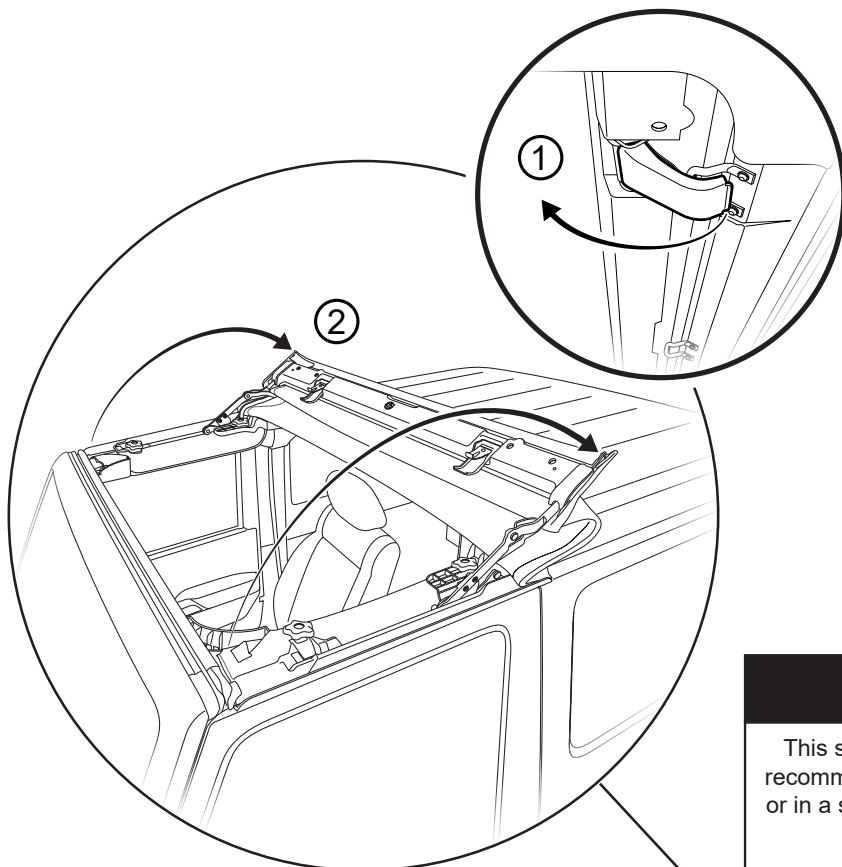
If the fit is not good, unlatch the Sunrider for Hardtop, and go back to Step 1 on Page 10, making sure that the seal fit is good before latching the Sunrider for Hardtop again.



**Hardware**



Sunrider Tie-Down Straps  
Qty. 2  
Part # 410.42



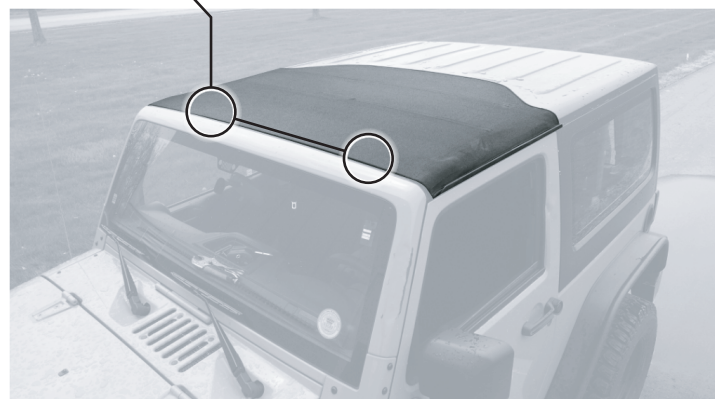
Wrap strap twice around

**NOTICE**

This step is **OPTIONAL** and only recommended when driving off-road or in a situation where the Top Deck Assembly could shift.

From inside the Jeep, locate the two Windshield Header Latches.

- ① Open both latches and,
- ② fold the Sunrider back.



Secure the Sunrider with the Tie Down Straps. Wrap each strap around the arm twice and secure the hook-and-loop strap. Secure both sides of the Sunrider.



## Care and Maintenance of your Bestop Product

Your Bestop product is made of the finest materials available. To keep it looking new and for the maximum possible wear, it will need periodic cleaning and maintenance.

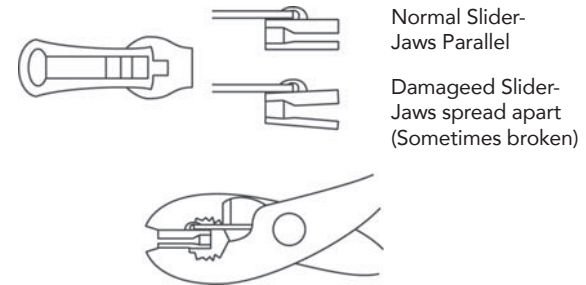
**Fabric:** The fabric should be washed often using soap, warm water and a soft bristle brush. Rinse with clear water to remove all traces of soap. Bestop recommends using Bestop Cleaner (part no. 11201-00) and Bestop Protectant (part no. 11202-00) for Vinyl fabric and Bestop Twill Protectant (part no. 11207-00) for Twill fabric. Bestop Cleaner and Bestop protectant are specially formulated to provide a total cleaning and protection system. Bestop Cleaner safely removes the toughest stains, will not harm vehicle finishes, is biodegradable and environmentally friendly. Bestop Protectant protects against UV-fading, cracking and hardening, and repels dust, grease, dirt and mildew.

**Windows:** Keep windows clean to avoid scratching. DO NOT use a brush on the windows! Wash with a water-soaked cloth or sponge and a mild dishwashing detergent. Bestop recommends Bestop Vinyl Window Cleaner (part no. 11203-00), which safely cleans and protects vinyl windows and helps prevent UV damage. NEVER WIPE THE WINDOWS WHEN THEY ARE DRY. Be careful when cleaning snow or frost from the vinyl windows since they are easily scratched and may crack at low temperatures. DO NOT roll the sides or rear window in cold weather. The windows become stiff and will crack. Cracks caused by misuse in cold temperatures are not covered under warranty.

**Water:** Seeping through at the seams may be stopped by applying 3-M Scotchgard® on the inside of the seams.

**Snaps:** Keep snaps cleaned and lubricated with silicone to help prevent snaps from sticking to the studs. If a snap does become stuck to a stud, use a screwdriver and GENTLY pry apart to prevent permanent damage to the snap or the top fabric.

**Zippers:** Keeping zippers cleaned and lubricated with Bestop's Zipper Cleaner (part no. 11206-00) will help prevent damage and keep the zippers in smooth working condition. If a zipper opens behind the slider, the slider may have been spread apart. This problem can usually be repaired by using an ordinary pair of pliers to bring the sides back into parallel. Return slider to the end of the zipper in the normal Open position. Squeeze lightly at first and test the zipper. If the zipper continues to remain open squeeze more firmly with the pliers and try the zipper again. Repeat this procedure until the zipper operates correctly.



**For Bestop Warranty Information, Please go to;**  
<https://www.bestop.com/help/warranty-information/>

