








Installation Instructions Cable Bikini

Vehicle Application

- Jeep Wrangler JK (2 Door)
Fits 56822, 54722, 55010 Door Surrounds
2010-current OEM Softtop
Part Number: 52593

www.Bestop.com - We're here to help! Visit our web site and click on ["Ask a Question"](#). Click here for more [Jeep Accessories by Bestop](#).


INSTALLATION TIME	SKILL LEVEL
 1/2 Hour	 1 - Easy


TOOLS		
 Socket 10mm	 Ratchet	 Safety Glasses



This product requires 2010-Current OEM or Bestop Door Surrounds.

Installation Tips Before you begin installing this assembly, read all instructions thoroughly. For a smooth fit: For ease in installation, the product should be installed at temperatures above 72° F. Below this temperature, the fabric may contract an inch or more, making it difficult to fit to the vehicle. It is normal for fabric to contract and wrinkle when stored in the shipping carton. Within a few days after the installation, the fabric will relax and the wrinkles will disappear.

	CAUTION Safety glasses should be worn at all times while installing this product.
-------------------------------------------------------------------------------------	------------------------------------------------------------------------------------------

	WARNING This product is designed primarily to enhance the appearance of the vehicle and to shield the occupants from ordinary weather conditions. Do not rely in any way on the components of this product to contain occupants within the vehicle, or to protect against injury or death in the event of an accident. This product will not protect the occupants from falling objects. Never operate the vehicle in excess of manufacturer's specifications.
-------------------------------------------------------------------------------------	-----------------------------------------------------------------------------------------------------------------------------------------------------------------------------------------------------------------------------------------------------------------------------------------------------------------------------------------------------------------------------------------------------------------------------------------------------------------------

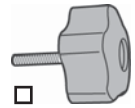
WEAR SEAT BELTS AT ALL TIMES

Read and follow, precisely, all installation instructions provided when installing product. Failure to do so may result in a poor fit and could place occupants of the vehicle in a potentially dangerous situation.

Cable Bikini – Installation Instructions

Parts List

Bikini	Qty - 1
Spring Tension Straps	Qty - 2
Spring Buckle Straps	Qty - 2
Center J-Hook Straps	Qty - 2



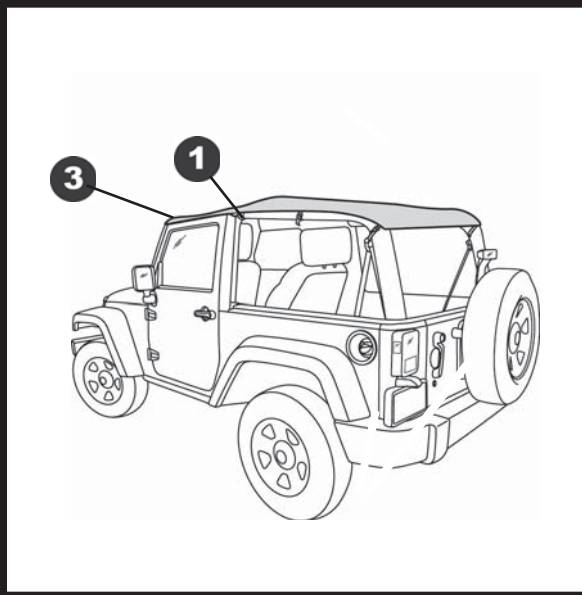
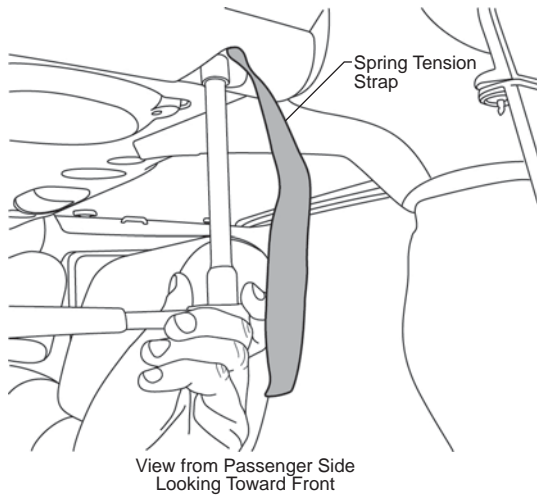
Header Knob, Part Number 440.55, Qty - 2



Header Knob Plate, Part Number 445.10, Qty - 2

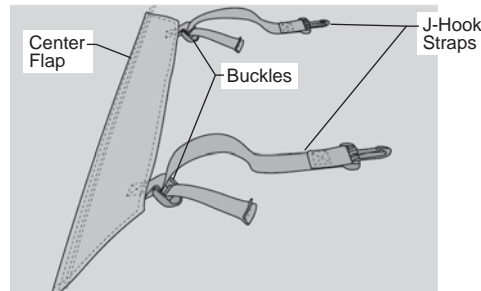
1 Install Spring Tension Straps

Use a 10mm socket to remove the front bolt from the outside of the sound bar where it attaches to the sport bar. Use the same bolt to secure a Spring Tension Strap to the sound bar in the same location on each side of the vehicle.



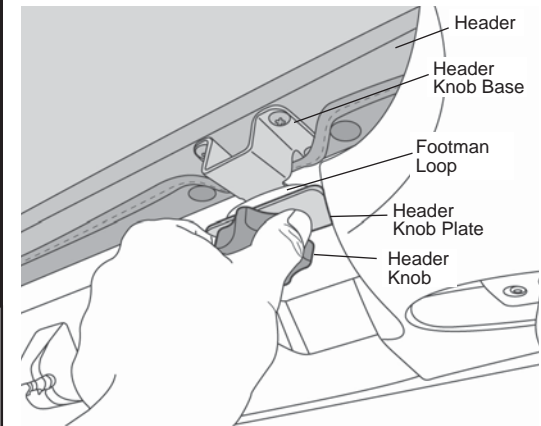
2 Install Center J-Hook Straps

Thread the end of one of the J-Hook Straps through one of the buckles on the center flap inside the Bikini. Repeat with the other J-Hook Strap.



3 Secure Header to Windshield

Center the Bikini on the vehicle. Place the tabs on the Header Knob Bases above the footman loops in the windshield frame. Place a Header Knob Plate under a footman loop. Install a Header Knob through the plate and footman loop and thread it into the Header Knob Base. Repeat this with both Header Knob Bases.

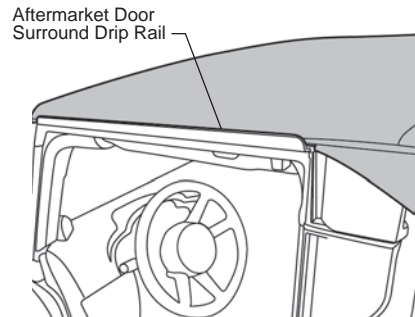


Cable Bikini – Installation Instructions

Aftermarket Door Surround

4 Drape Cable Bikini over Vehicle

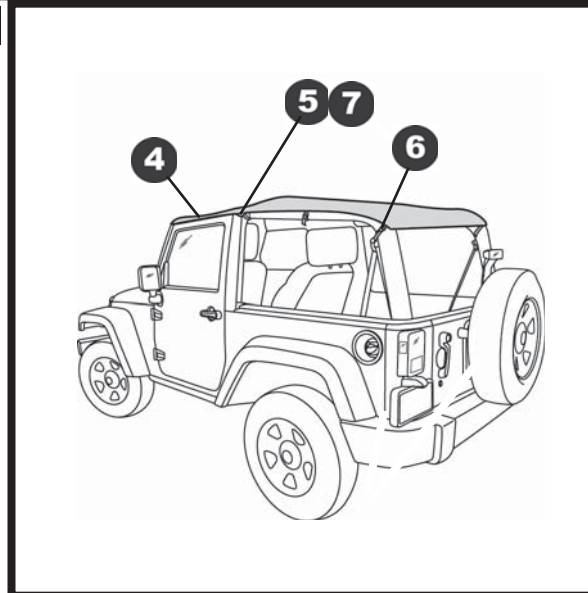
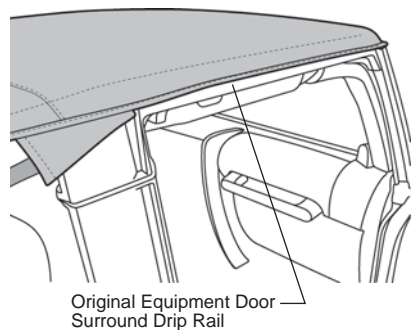
Drape the Cable Bikini over the vehicle. Make sure that the Bikini cable lies inside the channel on the door surround.



Original Equipment Door Surround

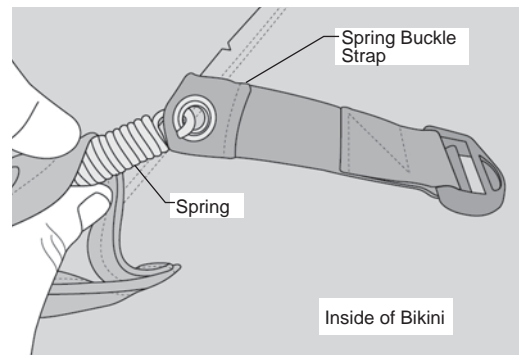
4 Drape Cable Bikini over Vehicle

Drape the Cable Bikini over the vehicle. Make sure that the Bikini cable lies along the outside of the channel on the door surround.



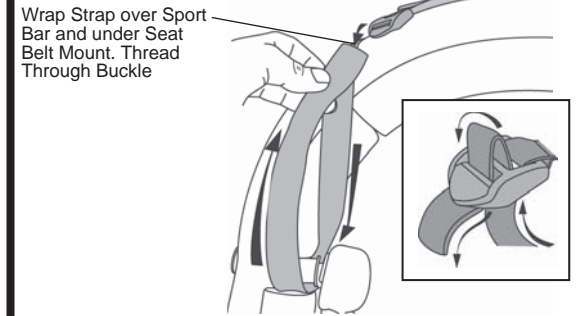
5 Install Spring Buckle Straps

Install a Spring Buckle Strap on the spring on each side of the Cable Bikini.



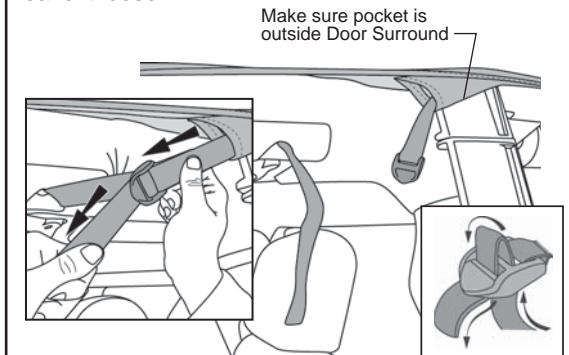
6 Secure Rear Buckle Straps

Locate the two (2) buckle straps sewn to the rear corners of the Cable Bikini. Wrap the straps over the outside of the sport bars and under the seat belt mounts. Thread the end of each strap through its buckle and pull it tight.



7 Secure Side Buckle Straps

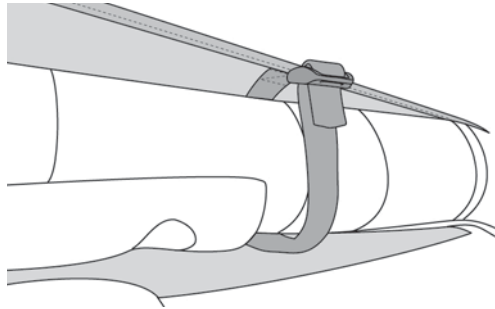
Locate the Spring Tension Strap installed on the sound bar in Step 1. Make sure the pocket is outside the door surround. Thread the end of the strap through the buckle on the Spring Buckle Strap and leave it loose.



Cable Bikini – Installation Instructions

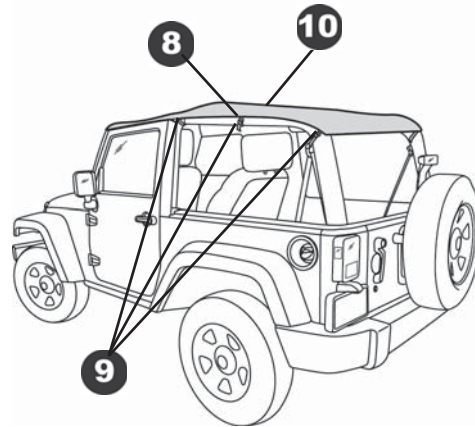
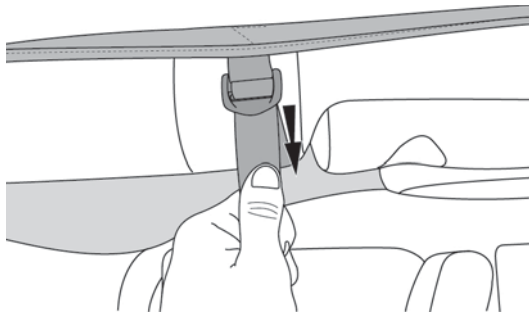
8 Secure Side Tension Straps

Locate the buckle strap sewn to each side of the Cable Bikini. Wrap the straps under the sport bars and thread the end of each strap through its buckle. Leave the straps loose.



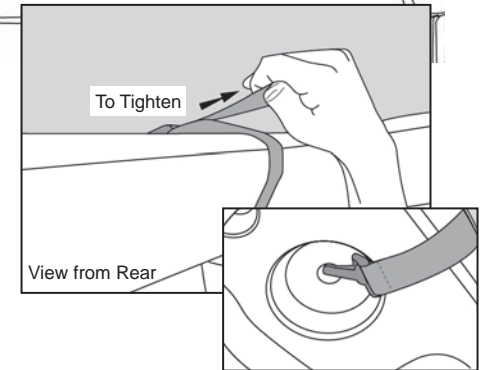
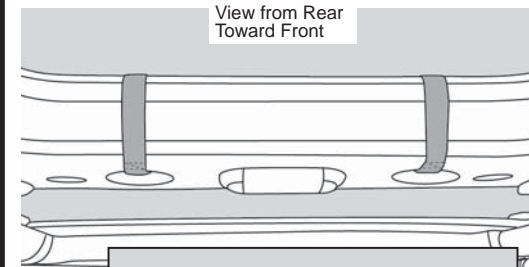
9 Tighten Tension Straps

Start from the rear of the vehicle and, working toward the front, pull all Tension Straps tight.



10 Secure Center Straps

Locate the two (2) Center J-Hook Straps on the center flap of the Cable Bikini. Pull the straps over the rear of the sound bar and hook each strap into the opening as shown. Pull the end of each strap to tighten securely.





Care and Maintenance of your Bestop Product

Your Bestop product is made of the finest materials available. To keep it looking new and for the maximum possible wear, it will need periodic cleaning and maintenance.

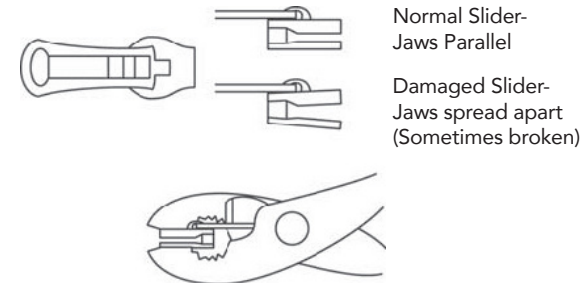
Fabric: The fabric should be washed often using soap, warm water and a soft bristle brush. Rinse with clear water to remove all traces of soap. Bestop recommends using Bestop Cleaner (part no. 11201-00) and Bestop Protectant (part no. 11202-00) for Vinyl fabric and Bestop Twill Protectant (part no. 11207-00) for Twill fabric. Bestop Cleaner and Bestop protectant are specially formulated to provide a total cleaning and protection system. Bestop Cleaner safely removes the toughest stains, will not harm vehicle finishes, is biodegradable and environmentally friendly. Bestop Protectant protects against UV-fading, cracking and hardening, and repels dust, grease, dirt and mildew.

Windows: Keep windows clean to avoid scratching. DO NOT use a brush on the windows! Wash with a water-soaked cloth or sponge and a mild dishwashing detergent. Bestop recommends Bestop Vinyl Window Cleaner (part no. 11203-00), which safely cleans and protects vinyl windows and helps prevent UV damage. NEVER WIPE THE WINDOWS WHEN THEY ARE DRY. Be careful when cleaning snow or frost from the vinyl windows since they are easily scratched and may crack at low temperatures. DO NOT roll the sides or rear window in cold weather. The windows become stiff and will crack. Cracks caused by misuse in cold temperatures are not covered under warranty.

Water: Seeping through at the seams may be stopped by applying 3-M Scotchgard® on the inside of the seams.

Snaps: Keep snaps cleaned and lubricated with silicone to help prevent snaps from sticking to the studs. If a snap does become stuck to a stud, use a screwdriver and GENTLY pry apart to prevent permanent damage to the snap or the top fabric.

Zippers: Keeping zippers cleaned and lubricated with Bestop's Zipper Cleaner (part no. 11206-00) will help prevent damage and keep the zippers in smooth working condition. If a zipper opens behind the slider, the slider may have been spread apart. This problem can usually be repaired by using an ordinary pair of pliers to bring the sides back into parallel. Return slider to the end of the zipper in the normal Open position. Squeeze lightly at first and test the zipper. If the zipper continues to remain open squeeze more firmly with the pliers and try the zipper again. Repeat this procedure until the zipper operates correctly.



For Bestop Warranty Information, Please go to;
<https://www.bestop.com/help/warranty-information/>

