


Installation Instructions Roughrider Tailgate Shelf

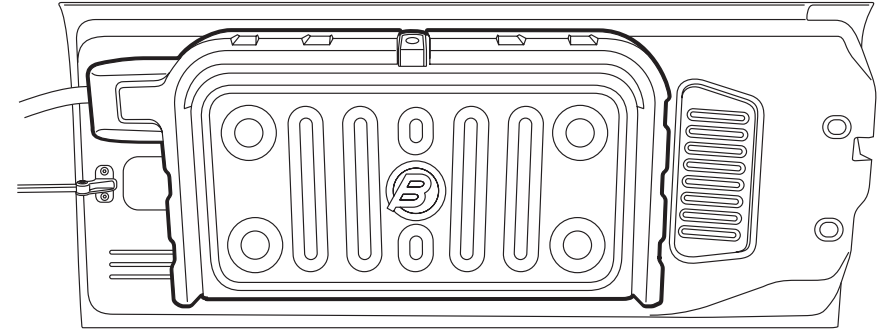
Vehicle Application:
Jeep® Wrangler & Wrangler Unlimited 2007-Current
Part Number 54140

Installation Tips


Before you begin installing your new Roughrider Tailgate Shelf, please read all the instructions thoroughly.

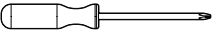



 **WARNING** Do not rely in any way on the components of this product to protect against injury or death in the event of an accident. Never operate the vehicle in excess of manufacturer's specifications.

Read and follow, precisely, all installation instructions provided when installing this product. Failure to do so may result in a poor fit and could place occupants of the vehicle in a potentially dangerous situation.



WEAR SEAT BELTS AT ALL TIMES

 **CAUTION** Safety glasses should be worn at all times when installing this product.

Tools	Installation Time	Support
 Phillips Screwdriver  Safety Glasses	 15 minutes Skill Level  1 - Easy	We're here to help! Bestop Customer Service: 800-845-3567 OR Go to www.Bestop.com and click on "Contact Us"

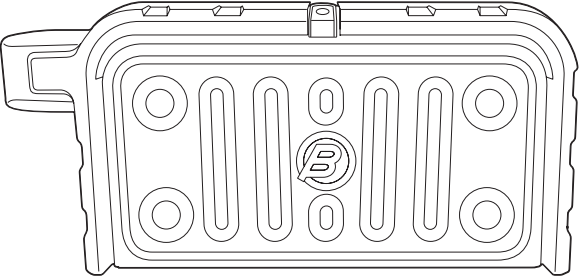
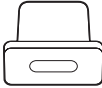
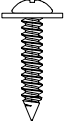


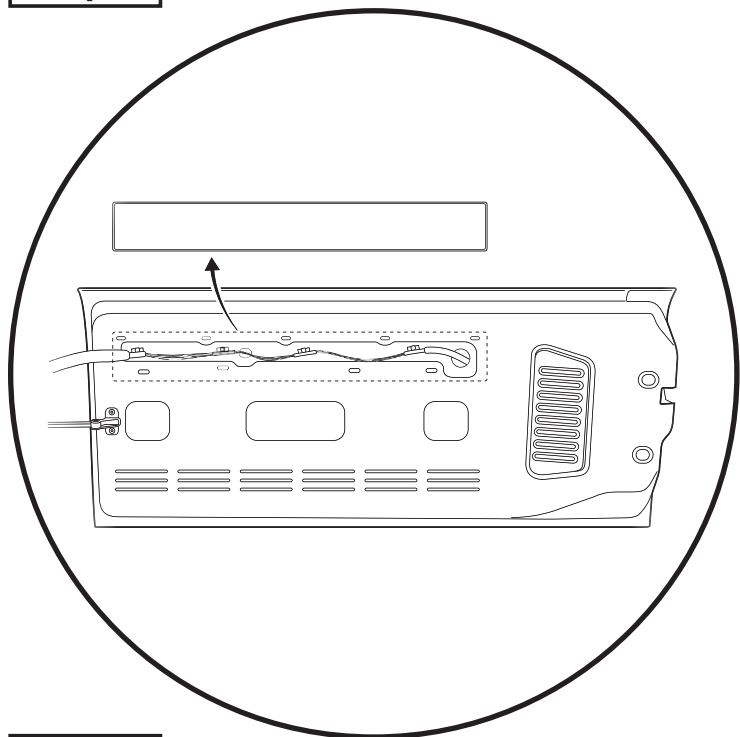
Installation Instructions Roughrider Tailgate Shelf

Vehicle Application:
Jeep® Wrangler & Wrangler Unlimited 2007-Current
Part Number 54140

Parts List

- Required parts for installation

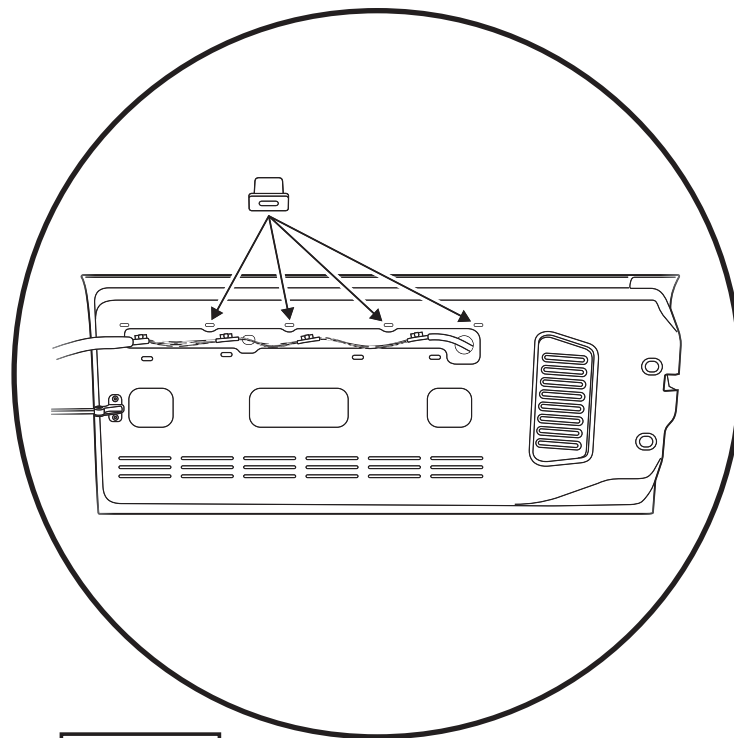
All Sections	Tailgate Shelf & Hardware	Pages 3 to 6 of Guide
 <p>Tailgate Shelf Part #539.65 Qty. 1</p>	 <p>Tailgate Plug Part #499.67 Qty. 4</p>	 <p>M6x18 Washer Head Screw Part #545.72 Qty. 4</p>

Step 1**Step 1**

Open the vehicle tailgate, and remove the plastic trim panel at the top inside of the tailgate.

Hardware

Tailgate Plug
Part #499.67
Qty. 4

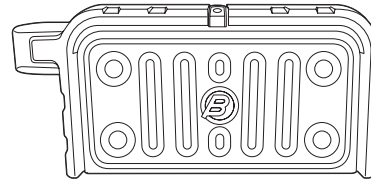
Step 2**Step 2**

Place a Tailgate Plug #499.67 into each of the 4 indicated slotted holes in the tailgate, as shown above. Do not use the left-most hole.

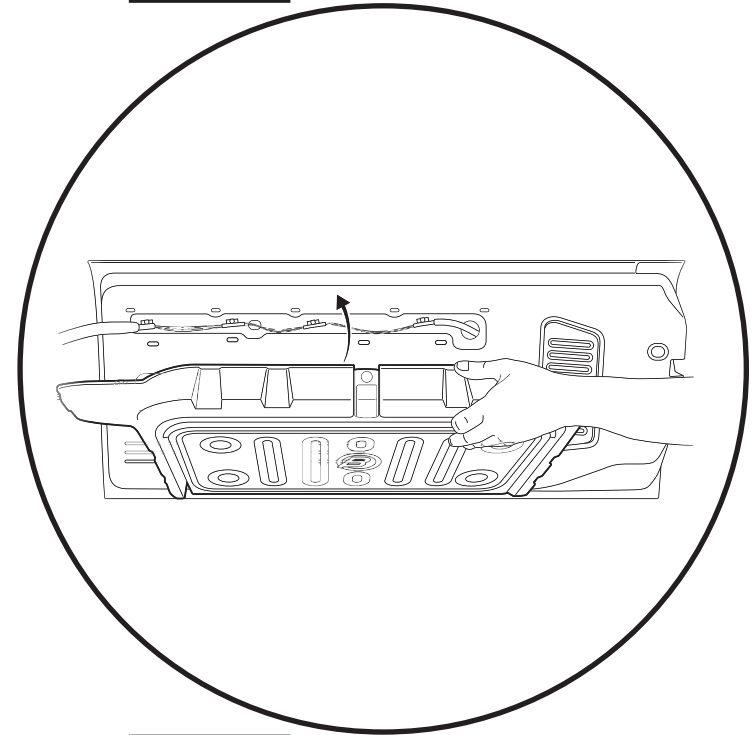
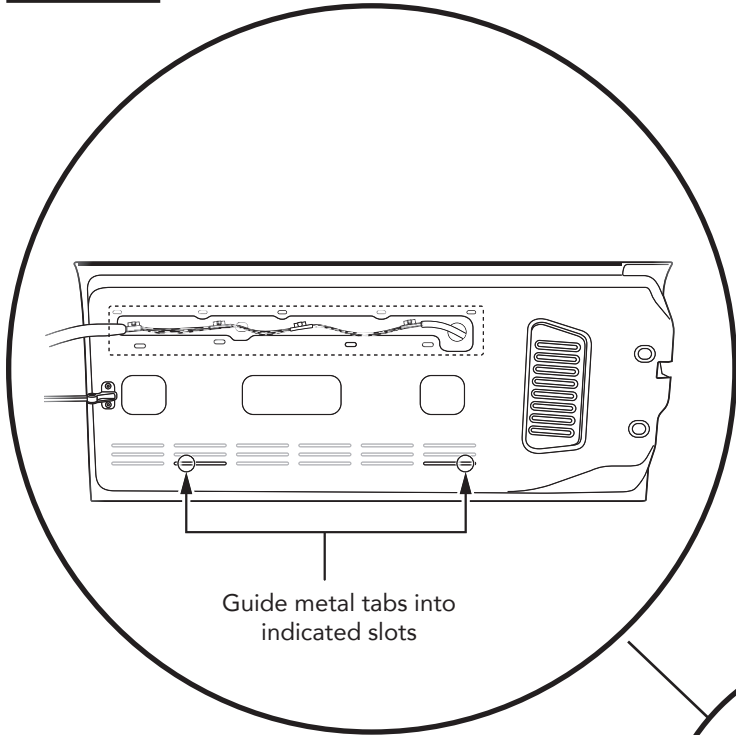
Step 1

Hardware

Step 2



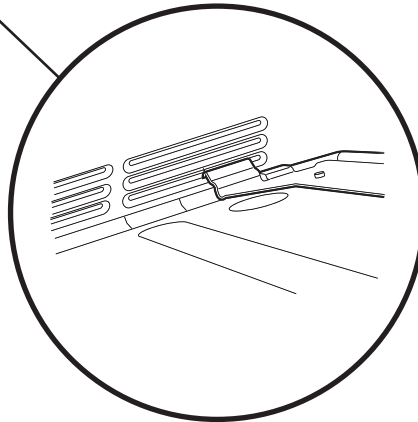
Tailgate Shelf
Part #539.65
Qty. 1



Step 1

Install the Tailgate Shelf #539.65 onto the tailgate.

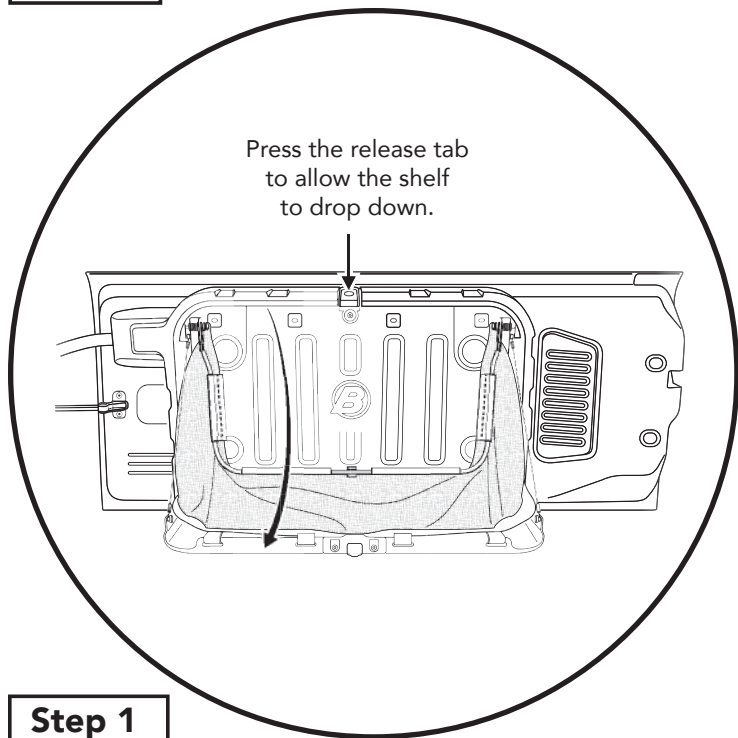
Locate the Tailgate Shelf by guiding the mounting tabs on the back side of the Shelf Assembly into the indicated slots in the lower part of the interior side of the vehicle's tailgate.



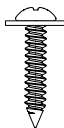
Step 2

With the metal tabs located in the slotted holes, pivot the Tailgate Shelf up and into place.

Step 1

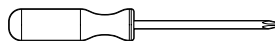


Hardware



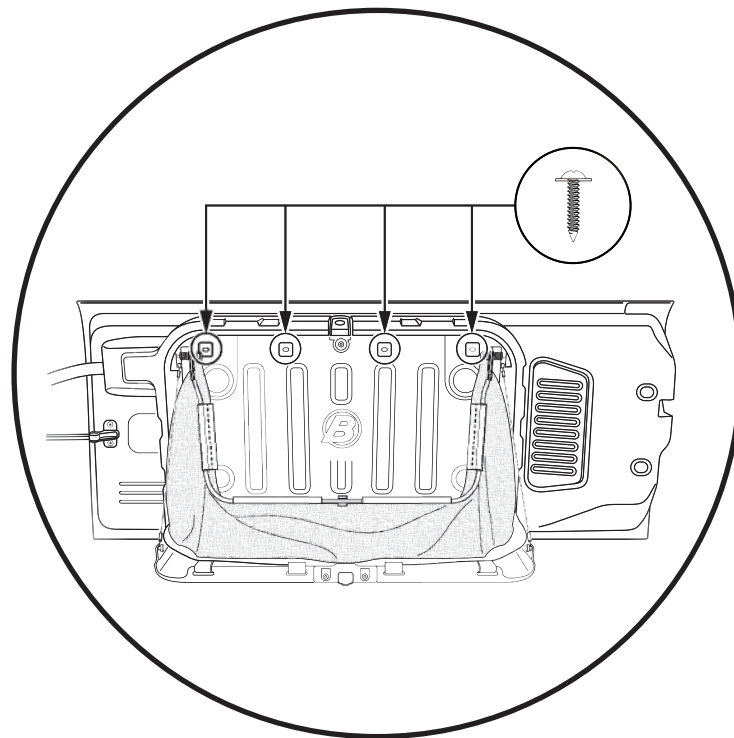
M6x18
Washer Head Screw
Part #545.72
Qty. 4

Tools



Phillips Screwdriver

Step 2



Step 1

While holding the Tailgate Shelf in place, press the release tab at the top middle of the Tailgate Shelf to release the catch and allow the shelf to drop down.

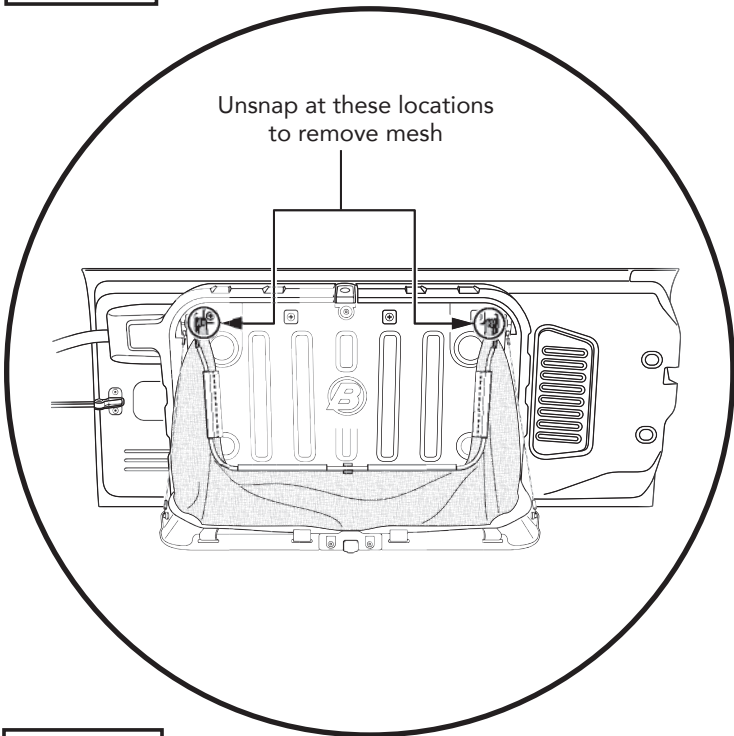
Step 2

Use the four (4) #545.72 Washer Head Screws to fasten the Tailgate Shelf to the tailgate.

Place the screws into the holes in the Tailgate Shelf with the Tailgate Plugs behind.

Use a Phillips screwdriver to tighten the screws.

Step 1



Step 1

To remove the mesh fabric, unsnap the snaps at the top left and right side pivot points.

Pivot the shelf up and snap into place to stow.



Care and Maintenance of your Bestop Product

Your Bestop product is made of the finest materials available. To keep it looking new and for the maximum possible wear, it will need periodic cleaning and maintenance.

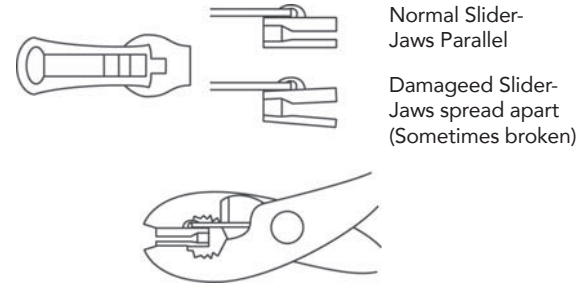
Fabric: The fabric should be washed often using soap, warm water and a soft bristle brush. Rinse with clear water to remove all traces of soap. Bestop recommends using Bestop Cleaner (part no. 11201-00) and Bestop Protectant (part no. 11202-00) for Vinyl fabric and Bestop Twill Protectant (part no. 11207-00) for Twill fabric. Bestop Cleaner and Bestop protectant are specially formulated to provide a total cleaning and protection system. Bestop Cleaner safely removes the toughest stains, will not harm vehicle finishes, is biodegradable and environmentally friendly. Bestop Protectant protects against UV-fading, cracking and hardening, and repels dust, grease, dirt and mildew.

Windows: Keep windows clean to avoid scratching. DO NOT use a brush on the windows! Wash with a water-soaked cloth or sponge and a mild dishwashing detergent. Bestop recommends Bestop Vinyl Window Cleaner (part no. 11203-00), which safely cleans and protects vinyl windows and helps prevent UV damage. NEVER WIPE THE WINDOWS WHEN THEY ARE DRY. Be careful when cleaning snow or frost from the vinyl windows since they are easily scratched and may crack at low temperatures. DO NOT roll the sides or rear window in cold weather. The windows become stiff and will crack. Cracks caused by misuse in cold temperatures are not covered under warranty.

Water: Seeping through at the seams may be stopped by applying 3-M Scotchgard® on the inside of the seams. Rips in the fabric may be repaired with Bondex® iron on patches. Iron the patches to the Inside of the top, carefully following the Bondex® instructions.

Snaps: Keep snaps cleaned and lubricated with silicone to help prevent snaps from sticking to the studs. If a snap does become stuck to a stud, use a screwdriver and GENTLY pry apart to prevent permanent damage to the snap or the top fabric.

Zippers: Keeping zippers cleaned and lubricated with Bestop's Zipper Cleaner (part no. 11206-00) will help prevent damage and keep the zippers in smooth working condition. If a zipper opens behind the slider, the slider may have been spread apart. This problem can usually be repaired by using an ordinary pair of pliers to bring the sides back into parallel. Return slider to the end of the zipper in the normal Open position. Squeeze lightly at first and test the zipper. If the zipper continues to remain open squeeze more firmly with the pliers and try the zipper again. Repeat this procedure until the zipper operates correctly.



For Bestop Warranty Information, Please go to;
<https://www.bestop.com/help/warranty-information/>

