



# Installation Instructions Trektop NX 4-Door

Vehicle Application:  
Jeep® Wrangler JK Unlimited 2007-2018  
Part Number 56853

## Installation Tips

Before you begin installing your new Trektop NX, please read all the instructions thoroughly.

**WARNING** Do not rely in any way on the components of this product to protect against injury or death in the event of an accident. Never operate the vehicle in excess of manufacturer's specifications.

Read and follow, precisely, all installation instructions provided when installing this product. Failure to do so may result in a poor fit and could place occupants of the vehicle in a potentially dangerous situation.

For easier installation, the top should be installed at a temperature above 72° F. Below this temperature, the fabric may contract making it difficult to fit the vehicle.



**CAUTION** Safety glasses should be worn at all times when installing this product.

**WEAR SEAT BELTS AT ALL TIMES**

Tools				Installation Time	Support
				4 hours	We're here to help! Go to <a href="http://www.Bestop.com">www.Bestop.com</a> and click on "Need Help?"
Safety Glasses	Vise-Grips	Ratchet	Sockets: 3/8" 8mm, 13mm		
		#2 Phillips Screwdriver icon"/>			
Scissors	Adjustable Wrench	#2 Phillips Screwdriver	Utility Knife	<b>Skill Level</b>	
				① ② <b>③</b> ④	
		T40 Torx Driver	3mm Allen Wrench	<b>3 - Moderately Difficult</b>	



## Installation Instructions Trektop NX 4-Door

Vehicle Application:  
Jeep® Wrangler JK Unlimited 2007-2018  
Part Number 56853

### Sugerencias de Instalación

**Antes de empezar a instalar esta unidad, lea atentamente todas las instrucciones.**

#### Para un buen ajuste:

Para facilitar la instalación, el producto debe instalarse a temperaturas superiores a 72 °F (22 °C).

Por debajo de esta temperatura, la tela puede encogerse una pulgada o más, lo que dificultaría su ajuste al vehículo.

Es normal que la tela se contraiga o arrugue cuando está guardada en la caja de empaque. A los pocos días después de la instalación, la tela se relajará y las arrugas desaparecerán.



#### ADVERTENCIA

Este producto se diseñó principalmente para mejorar la apariencia del vehículo y proteger a los ocupantes de las condiciones climáticas comunes. De ninguna manera piense que los componentes de este producto pueden servir como medio de contención para los ocupantes del vehículo o que pueden protegerlos contra lesiones o la muerte en caso de accidente. Este producto no protegerá a los ocupantes contra caídas de objetos. Nunca conduzca este vehículo fuera de las especificaciones del fabricante.

#### USE LOS CINTURONES DE SEGURIDAD EN TODO MOMENTO

Lea y siga con precisión todas las instrucciones de instalación que se proporcionan para instalar este producto. Si no lo hace, podría producirse un mal ajuste que colocaría a los ocupantes del vehículo en una situación potencialmente peligrosa.



#### PRECAUCIÓN

Debe usar gafas protectoras en todo momento durante la instalación de este producto.

### Conseils pour l'installation

**Lire toutes les instructions au complet avant de commencer l'installation de cet assemblage.**

#### Pour un ajustement sans problème :

Afin de faciliter l'installation, ce produit doit être installé à des températures au-dessus de 72 °F (22 °C).

Sous cette température, le tissu peut rétrécir d'un pouce (2,5 cm) ou plus, ce qui rendra l'ajustement sur le véhicule difficile.

Il est normal que le tissu rétrécisse et plisse pendant qu'il est dans la boîte d'expédition. En quelques jours après l'installation, le tissu se détendra et les plis disparaîtront.



#### AVERTISSEMENT

Ce produit est conçu principalement pour améliorer l'apparence du véhicule et pour protéger les occupants des conditions météorologiques usuelles. Ne jamais se fier aux composants de ce produit pour se protéger de blessures ou de la mort en cas d'accident. Ce produit ne protégera pas les occupants des chutes d'objets. Ne jamais utiliser le véhicule au-delà des caractéristiques techniques indiquées par le fabricant.

#### PORTER UNE CEINTURE DE SÉCURITÉ EN TOUT TEMPS

Lire et suivre, très fidèlement, toutes les instructions d'installation fournies lors de l'installation de ce produit. Ne pas suivre cette consigne peut causer une installation inadéquate et mettre les occupants du véhicule dans une situation potentiellement dangereuse.



#### MISE EN GARDE

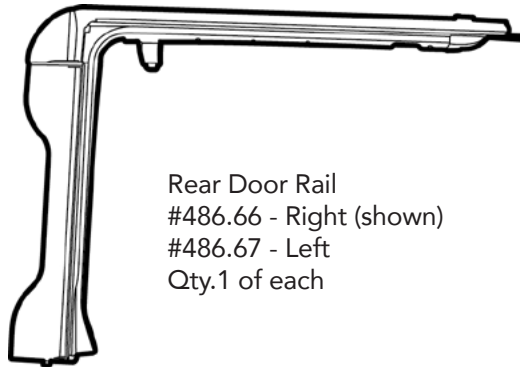
Des lunettes de sécurité doivent être portées en tout temps lors de l'installation de ce produit.



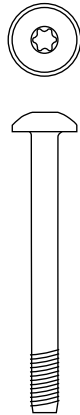
# Installation Instructions Trektop NX 4-Door

Vehicle Application:  
Jeep® Wrangler JK Unlimited 2007-2018  
Part Number 56853

## Parts List



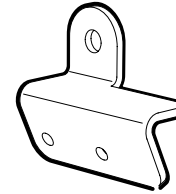
Rear Door Rail  
#486.66 - Right (shown)  
#486.67 - Left  
Qty.1 of each



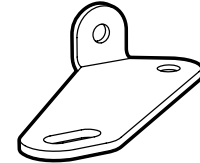
M8 x 80 Screw  
#532.23  
Qty.4



M8 x 38 Screw  
#532.17  
Qty.2



Sunrider Pivot Bracket  
#544.18 - Right (shown)  
#544.19 - Left  
Qty. 1 per side



#2 Bow Pivot Bracket  
#541.88 - Right (shown)  
#541.87 - Left  
Qty. 1 per side



Front Door Rail  
#479.87 - Left (shown)  
#479.86 - Right  
Qty. 1 of each



M5 x 35mm Screw  
Part #514.62  
Qty. 2t



Washer  
Part #575.27  
Qty. 2



Plastic Bushing  
Part #473.40  
Qty. 4



M5 Nylon Lock Nut  
Part #526.76  
Qty. 2



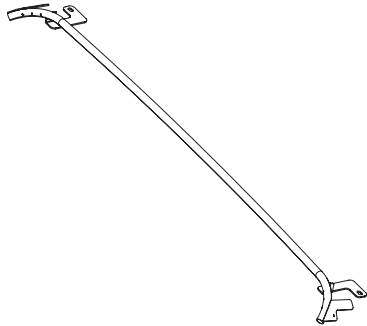
#10-24 x 3/8"  
Machine Screw  
Part #195.92  
Qty. 4



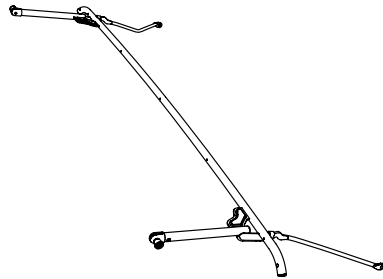
# Installation Instructions Trektop NX 4-Door

Vehicle Application:  
Jeep® Wrangler JK Unlimited 2007-2018  
Part Number 56853

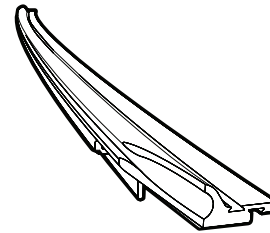
## Parts List



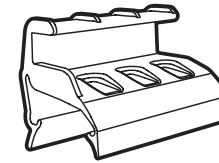
#3 Bow Assembly  
#542.40  
Qty. 1



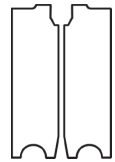
#2 Bow Assembly  
#541.18  
Qty. 1



Tailgate Bar  
#538.76  
Qty. 1



Tailgate Bar Mounts  
#539.57 - Left (shown)  
#539.56 - Right  
Qty. 1



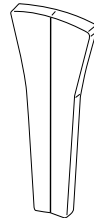
Foam Seals  
#457.76 - Right  
#457.77 - Left  
Qty. 1 per side



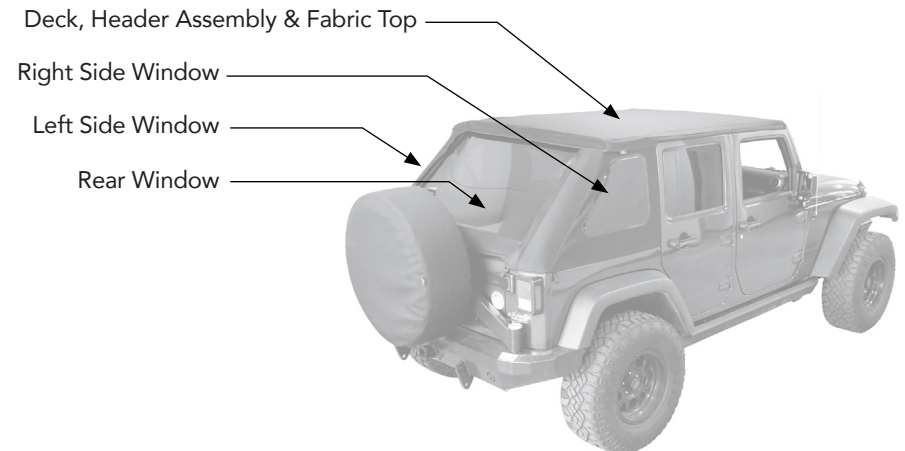
Adhesive Fabric  
Loop Strips  
#546.15  
Qty. 2



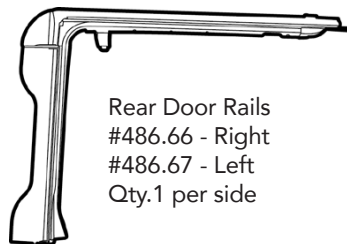
Foam Tape  
Strips  
#417.43  
Qty. 2



Foam Seal  
#605.46  
Qty. 1

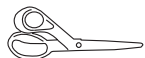


Hardware



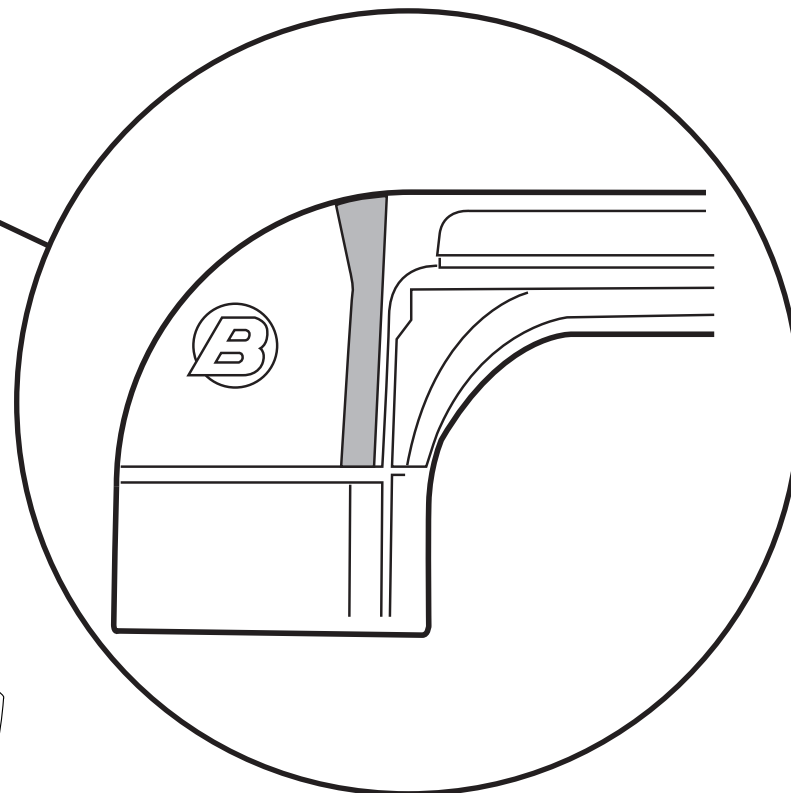
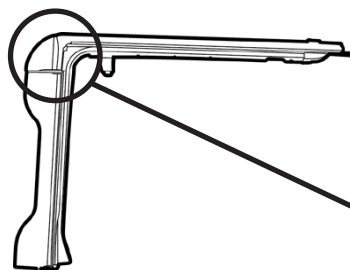
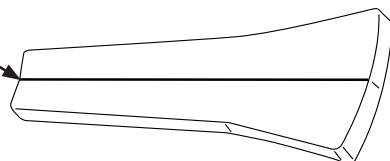
Rear Door Rails  
#486.66 - Right  
#486.67 - Left  
Qty.1 per side

Tools



Scissors

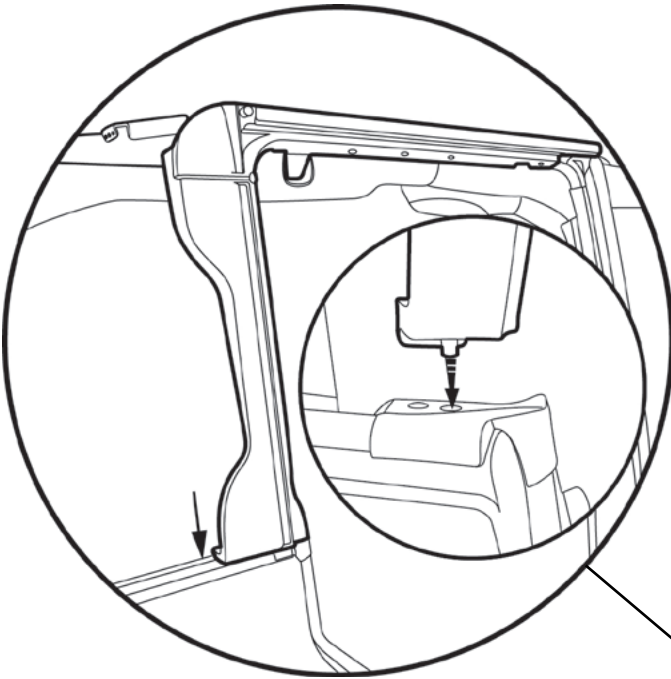
Cut along  
this line.



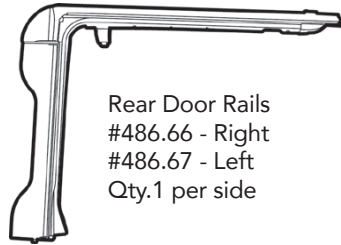
Cut the Foam Seal #605.46 in half following the slit in the foam. Attach half of the Foam Seal into the valley of the Rear Door Rail #479.88.

Repeat for the left side.

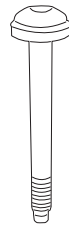
**Step 1**



**Hardware**

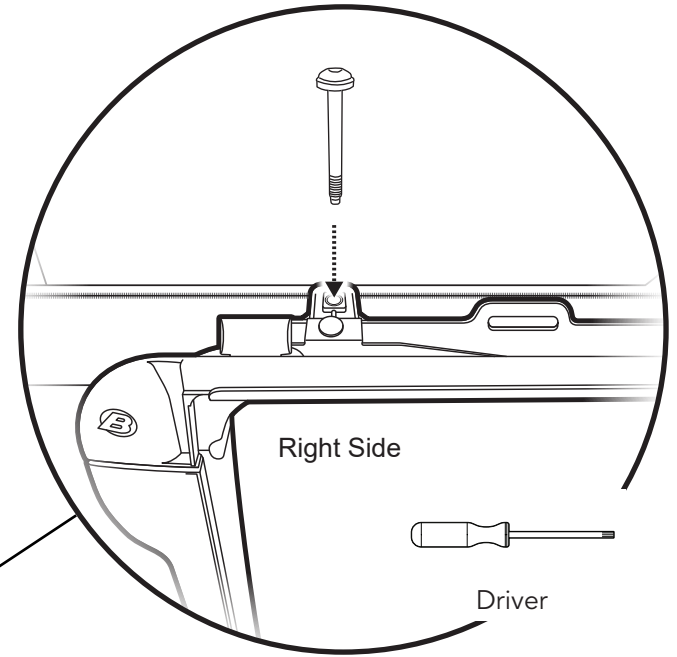


Rear Door Rails  
#486.66 - Right  
#486.67 - Left  
Qty.1 per side



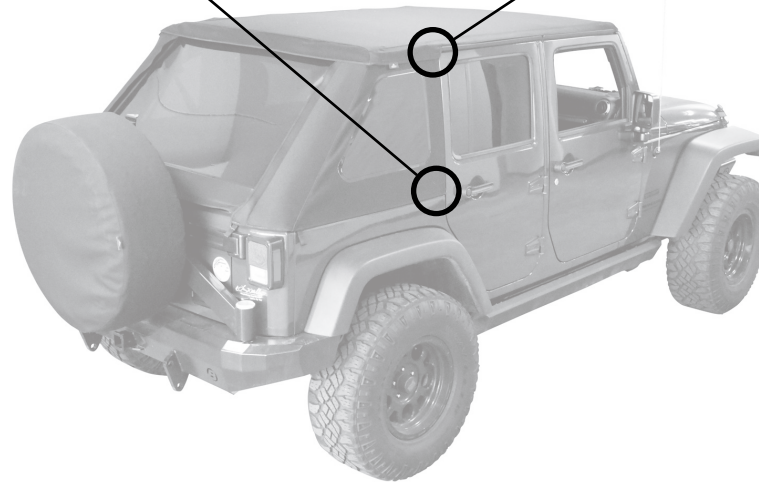
M8 x 80 Screw  
#532.23  
Qty.2

**Step 2**



**Step 1**

Open the Rear Door.  
Insert the pin in the bottom of the right Rear Door Rail #486.66 into the hole in the belt rail behind the rear door opening. Press the channel along the top of the Rear Door Rail around the horizontal sport bar.  
Repeat on the left side of the vehicle.



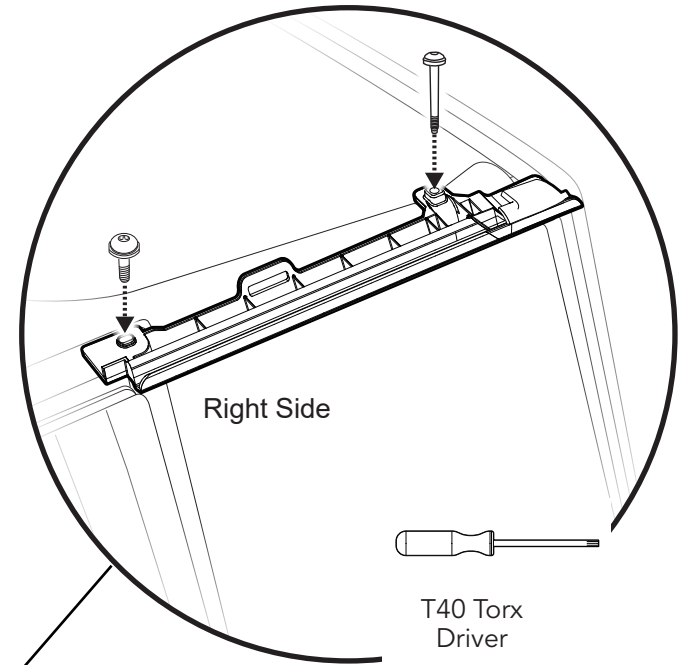
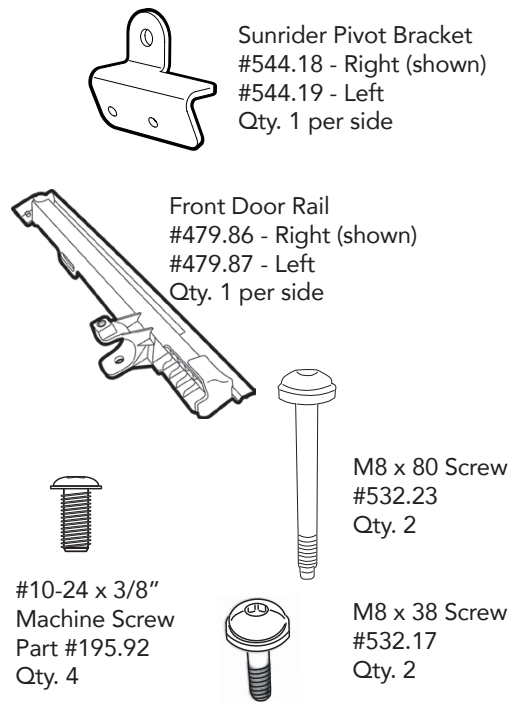
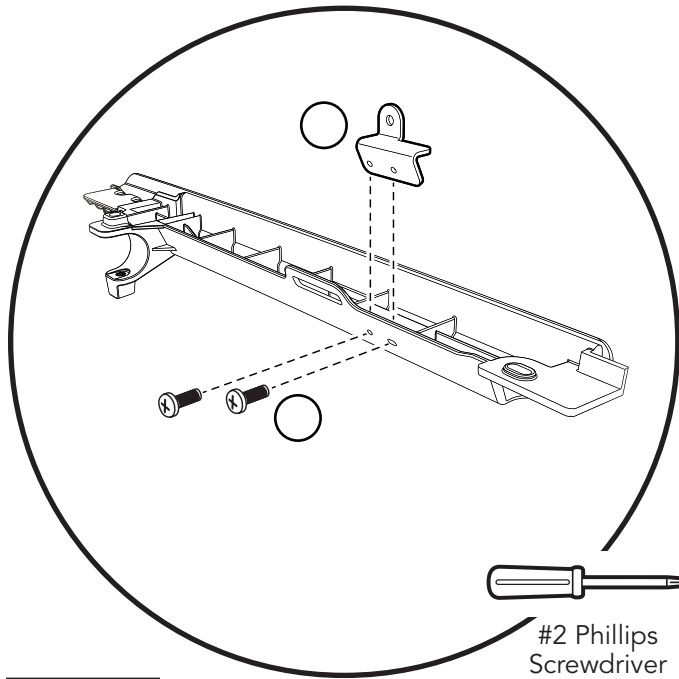
**Step 2**

Insert one (1) M8 x80 Screw #532.23 into the rear position on the right Rear Door Rail #486.67. Tighten to 55lb/in (4.5(lb/ft)).  
Repeat on the left side of the vehicle.

**Step 1**

**Hardware**

**Step 2**



**Step 1**

Attach the right Sunrider Pivot Bracket #544.18 to the right Front Door Rail #479.86 using two (2) #195.92 Screws.

Repeat on the left side of the vehicle, using the #544.19 Left Sunrider Bracket.

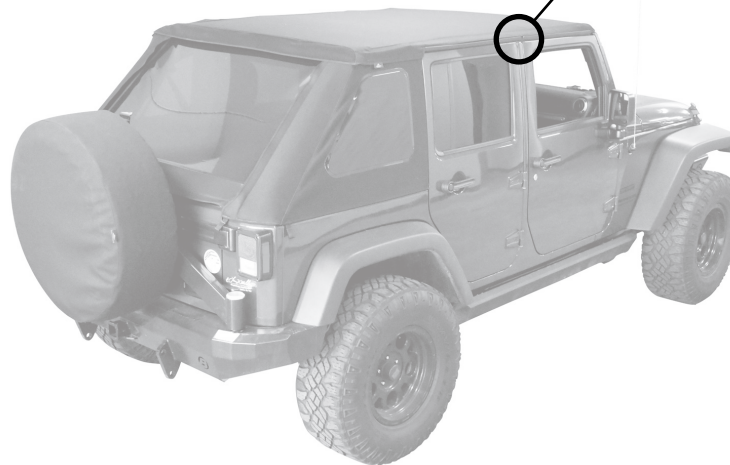
**Step 2**

Open the front door.

Position the right Front Door Rail #479.86 on the sport bar above the passenger side door and press it into place on the sport bar.

Secure the Front Door Rail in place with one (1) M8 x 80 Screw #532.23 at the front, and one M8 x 38 Screw #532.17 at the rear, where the Front Door Rail and Rear Door Rail overlap. Tighten to 55lb/in (4.5lb/ft).

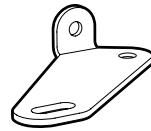
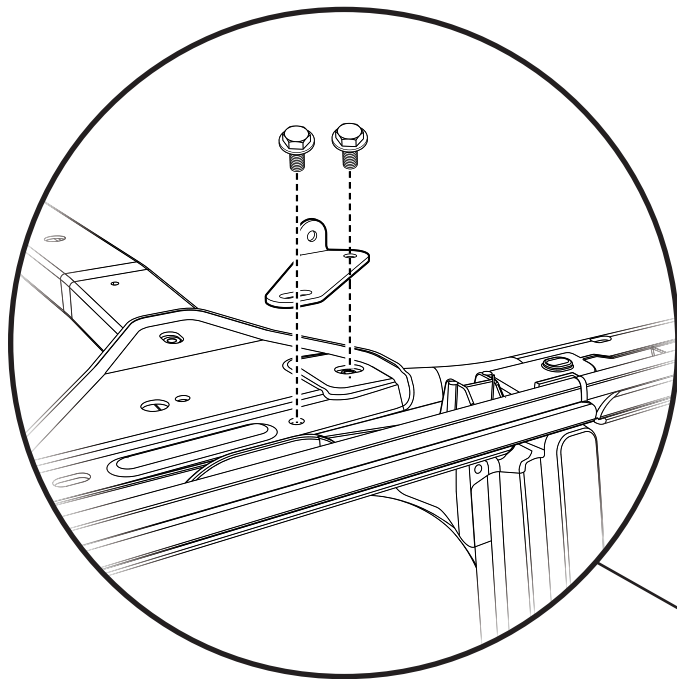
Repeat on the left side of the vehicle.



**Step 1**

**Hardware**

**Step 2**



#2 Bow Pivot Bracket  
 #541.88 - Right (shown)  
 #541.87 - Left  
 Qty. 1 per side

**Tools**



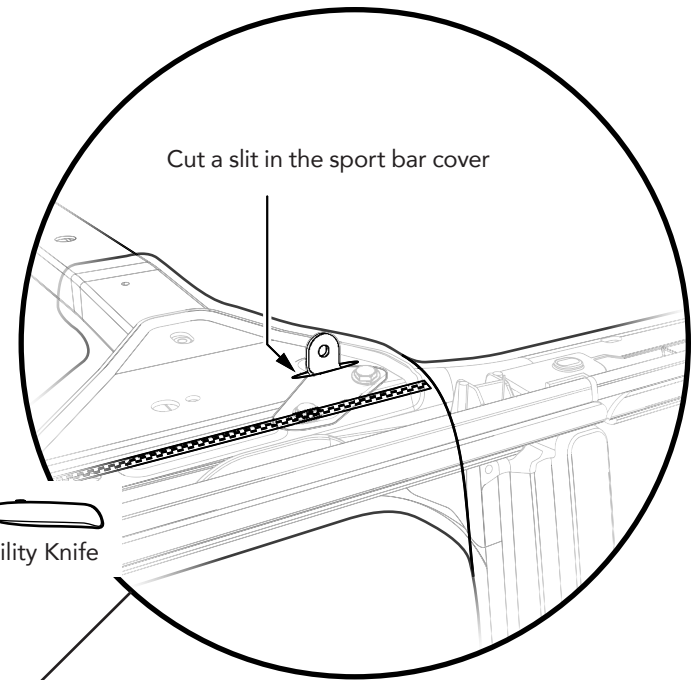
Ratchet



13mm Socket



Utility Knife



Cut a slit in the sport bar cover

**Step 1**

Unzip the sport bar cover over the middle cross bar between the front and rear doors, to expose the sport bar corner plate, and two factory-installed hex-head bolts.

Attach the Right #2 Bow Pivot Bracket #541.88 to the right side sport bar plate using the two factory bolts.

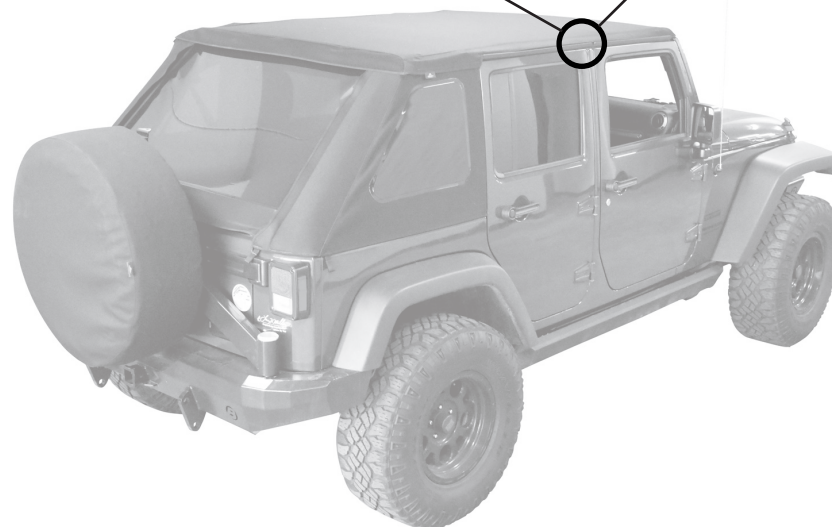
Repeat on the left side of the Jeep.

**Step 2**

Zip the sport bar cover closed.

Locate the vertical tab on the #2 Bow Pivot Bracket, and cut a slit in the cover to allow this tab to protrude through the cover.

Repeat on the left side of the Jeep.

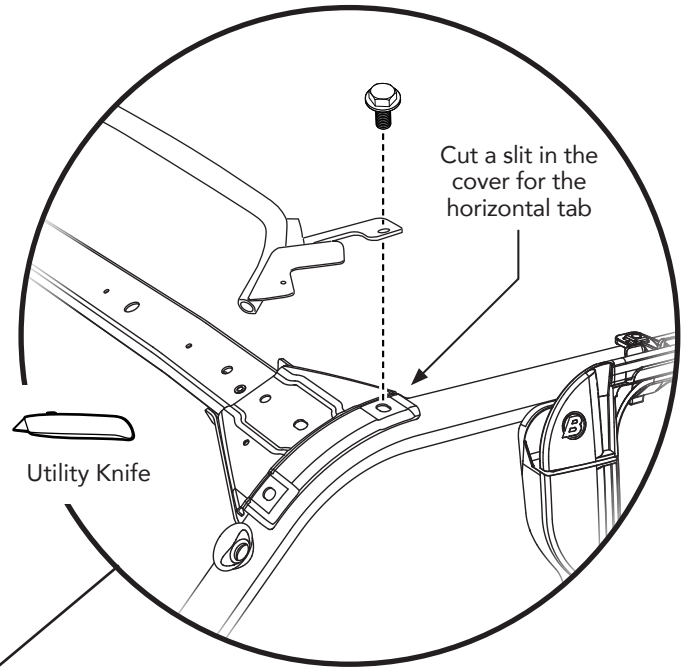
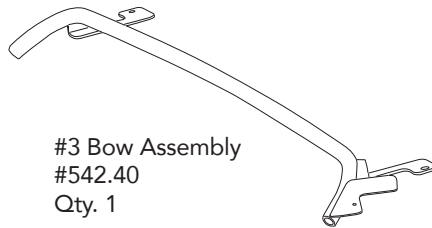
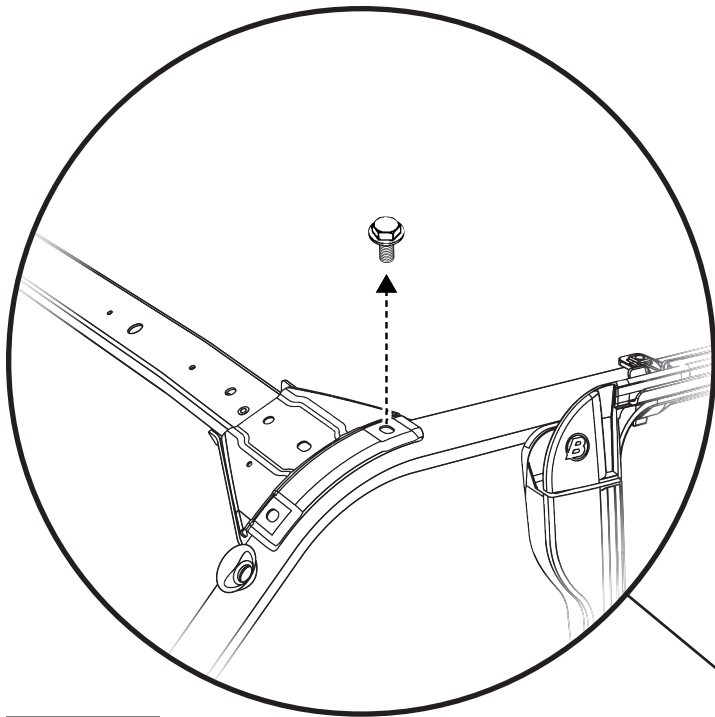




Step 1

Hardware

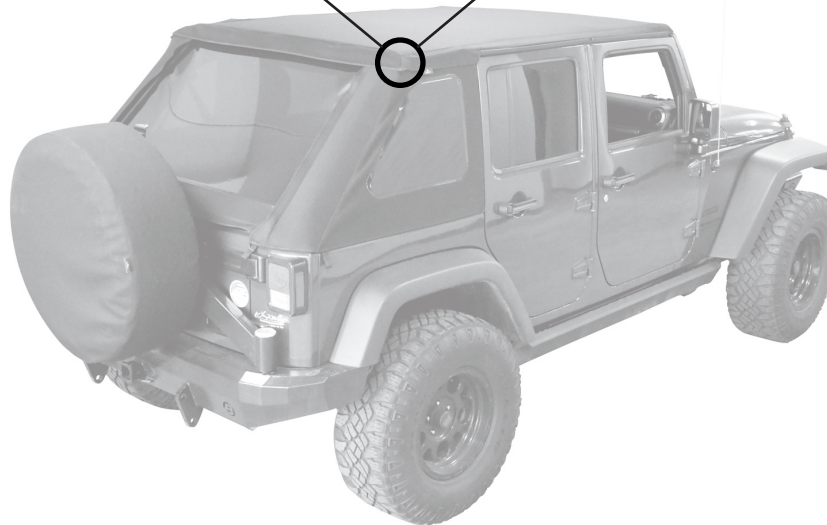
Step 2



Step 1

Unzip the sport bar cover over the rear cross bar, to expose the sport bar corner plates, and the factory-installed hex-head bolt on each side.

Remove the indicated hex-head bolt on each side of the sport bar.



Step 2

Zip the sport bar cover closed.

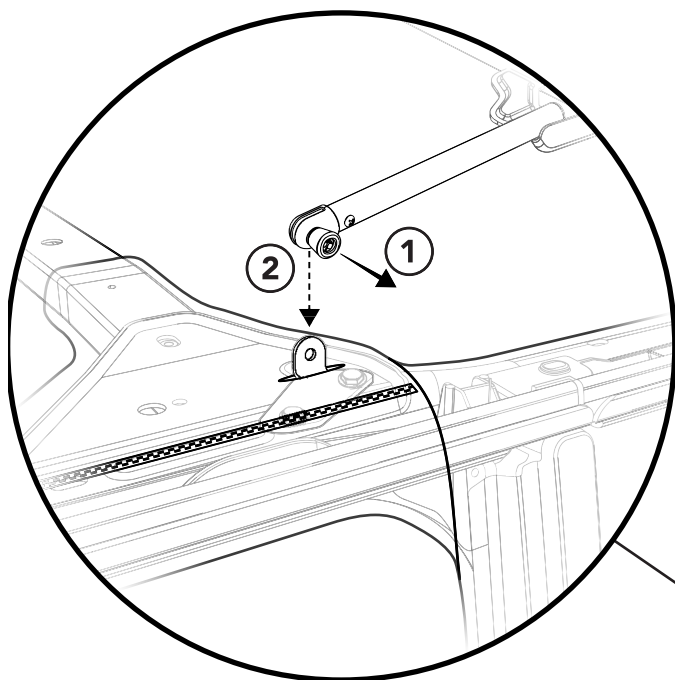
Cut a slit in the sport bar cover over each bolt hole where you just removed the hex-head bolts.

Attach the #3 Bow Assembly #542.40 to the sport bar, using the hex-head bolts you removed earlier.

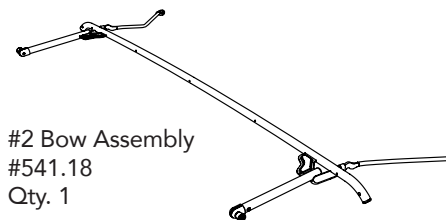
The horizontal tabs on each side of the #3 Bow will slip through the slits in the sport bar, allowing you to access the threaded holes in the sport bar.

Tighten the bolt on each side.

Step 1



Hardware

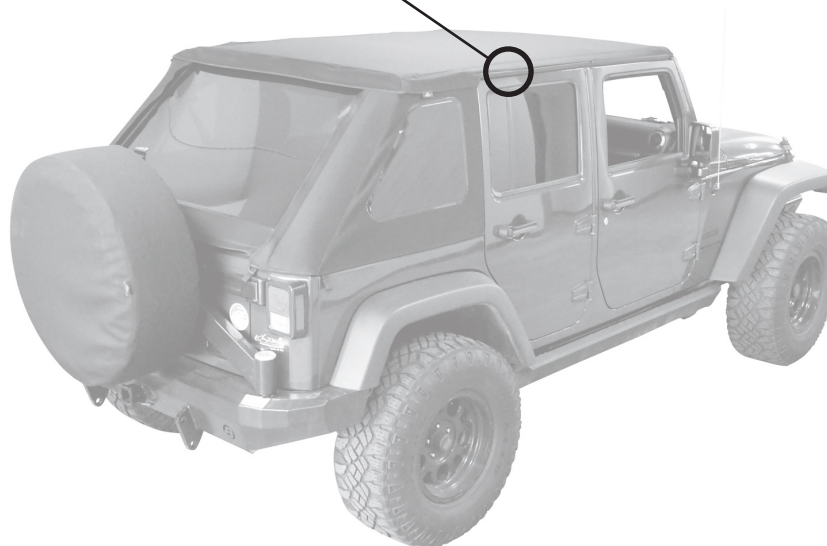


Step 1

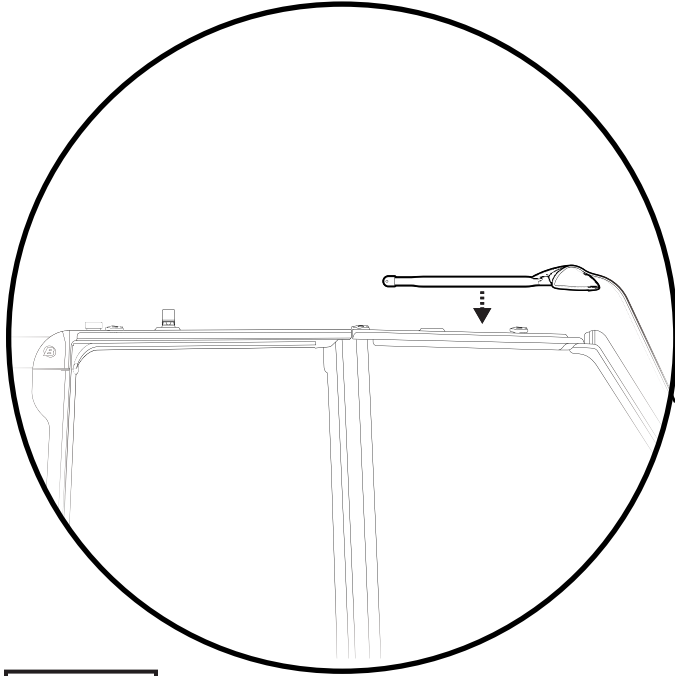
Attach #2 Bow #541.18 to the #2 Bow Pivot Brackets on each side.

- ① Pull out on the knob to release the spring-loaded catch on the #2 Bow rear legs, and
- ② Slide the slotted end of the catch over the #2 Bow Pivot Bracket tab protruding from the sport bar cover.

Make sure that the spring catch snaps into place on each #2 Bow Pivot Bracket tab.



**Step 1**

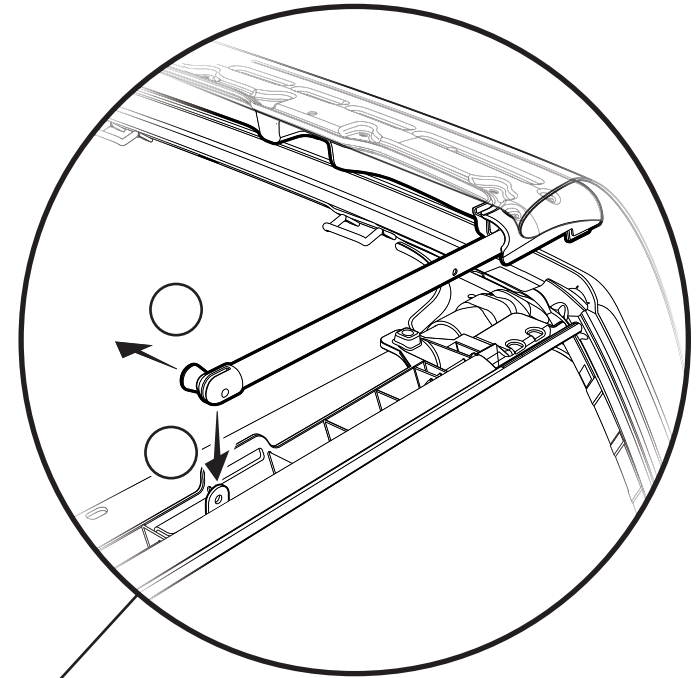


**Step 1**

Lift the Header/Side Bow Assembly onto the top of the Jeep, with the Header sitting on top of the the Jeep windshield, and the farbic draped forward over the Jeep hood.

You may want to protect the finish of the Jeep by putting a blanket across the Jeep Hood.

**Step 2**



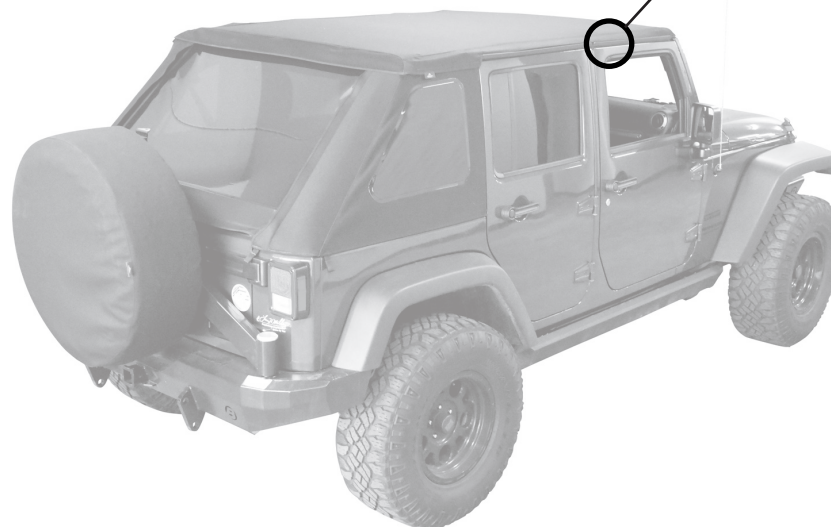
**Step 2**

Attach the right Side Bow to the Right Sunrider Pivot Bracket #544.18.

① Pull out on the spring catch release knob;

② Slide the slotted end of the Side Bow over the vertical tab on the Sunrider Pivot Bracket, and release the knob, making sure that the catch snaps into place on the Pivot Bracket tab.

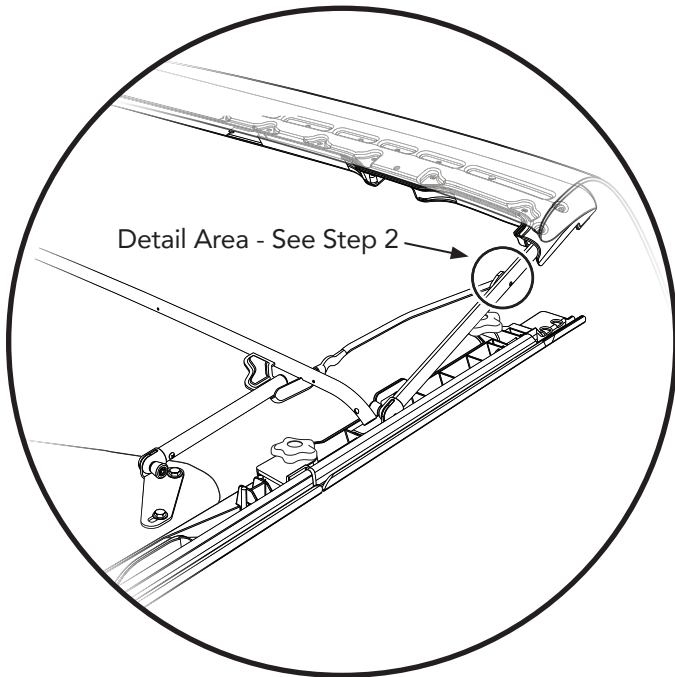
Repeat on the left side of the Jeep.







**Step 1**

**Hardware**

**Step 2**

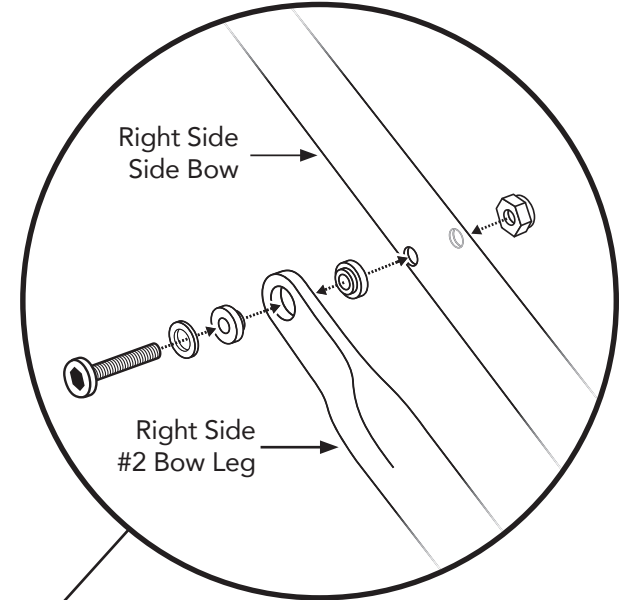


-  M5 x 35mm Screw  
Part #514.62  
Qty. 2t
-  M5 Nylon Lock Nut  
Part #526.76  
Qty. 2
-  Washer  
Part #575.27  
Qty. 2
-  Plastic Bushing  
Part #473.40  
Qty. 4

**Tools**

-  Ratchet
-  8mm Socket

-  3mm Allen Wrench



**Step 1**

Lift the Side Bow/Header up and locate the hole in the Side Bow near the Header.

Using this hole in the Side Bow, attach the #2 Bow to the Side Bow.

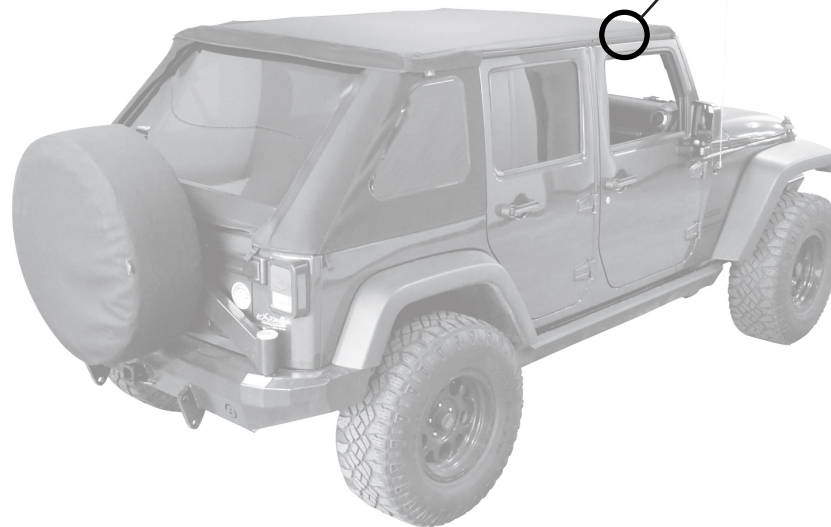
**Step 2**

Secure the #2 Bow to the Side Bow using one (1) Machine Screw #541.62, two (2) Plastic Bushings #473.40, one (1) Nylon Lock Nut #526.76 and one (1) Washer #575.27 on each side of the vehicle.

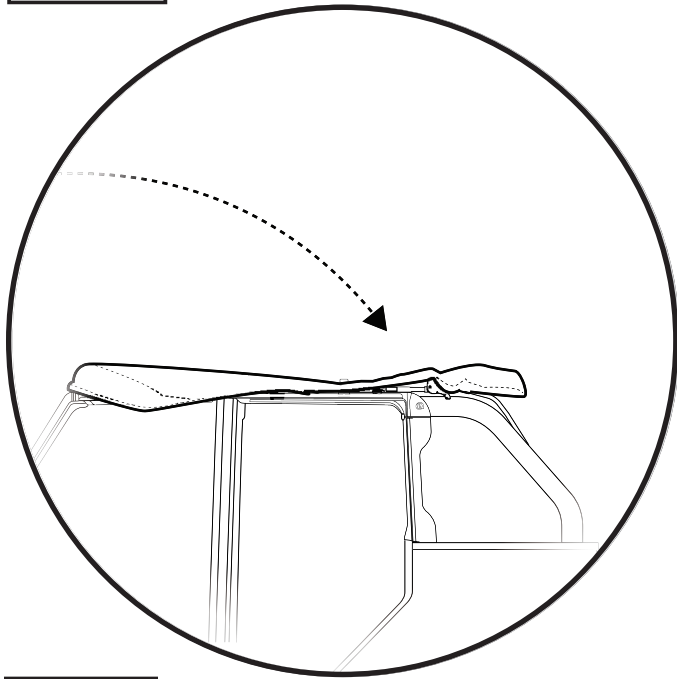
The Plastic Bushings go on both sides of the flat portion of the #2 Bow leg.

The Nylon Lock Nut goes on the inboard side of the Side Bow.

**NOTE:** Do not overtighten, to avoid damaging the plastic bushings.



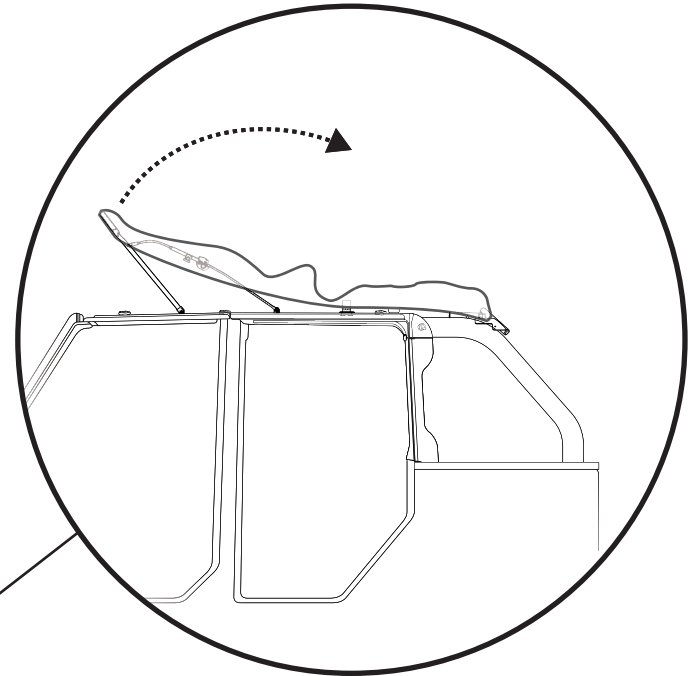
**Step 1**



**Step 1**

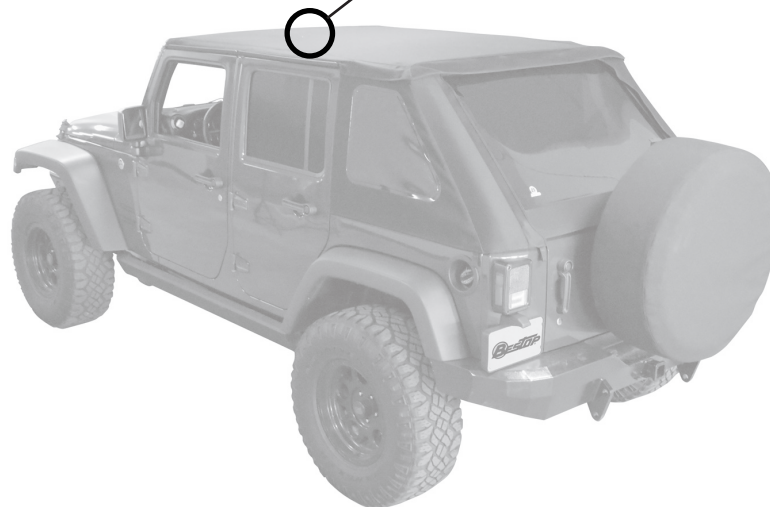
Lift the fabric and drape it back over the top of the Jeep, pulling it over the top of the #2 Bow, Top Arch and #3 Bow.

**Step 2**



**Step 2**

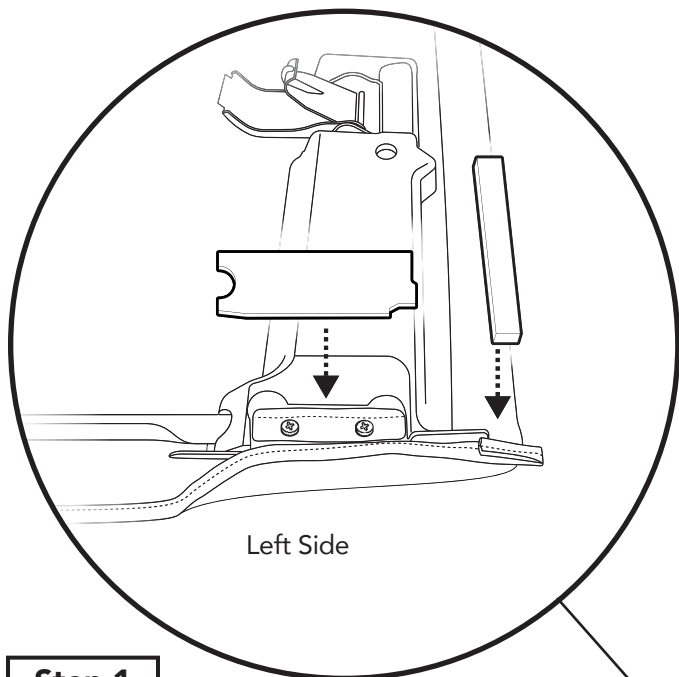
Fold the Sunrider back from the front pivot point, resting the front portion of the top on the rear portion.



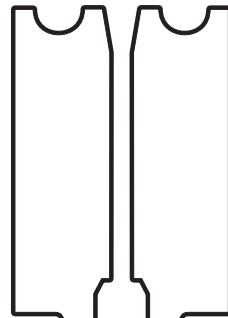
**Step 1**

**Hardware**

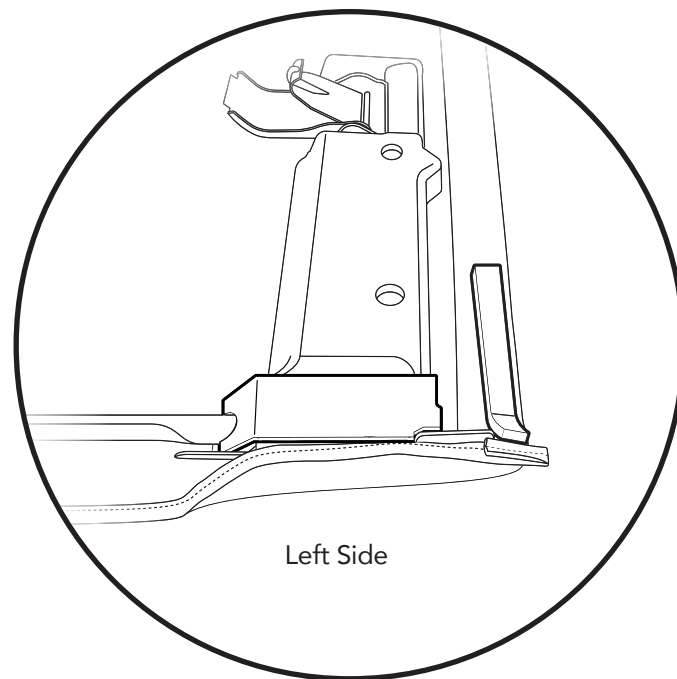
**Step 2**



Foam Tape Strips  
#417.43  
Qty. 2



Foam Seals  
#457.76 (right)  
#457.77 (left)  
Qty. 1 per side



**Step 1**

With the Sunrider folded back, locate the two (2) Foam Seals #457.76 (right) and #457.77 (left).

Remove the protective liner from the back side of the left Foam Seal #457.76 and place the Seal in the location shown above.

Repeat on the right side of the Header.

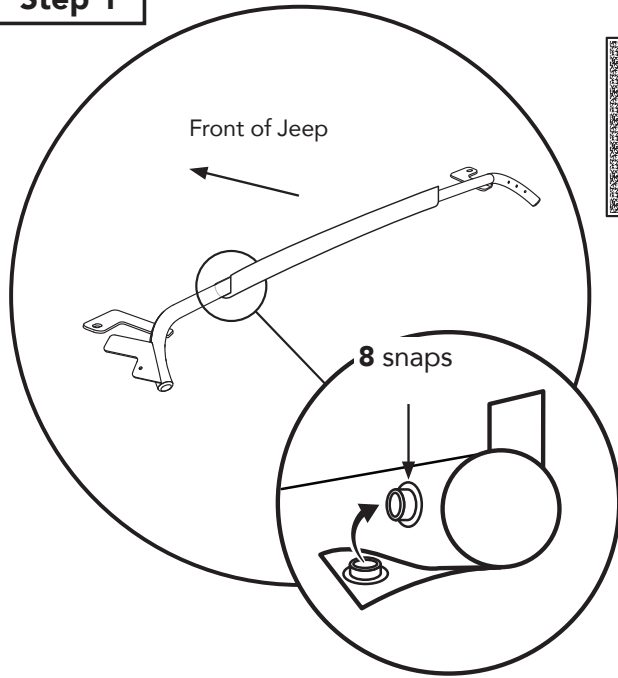


**Step 2**

Remove the protective liner from the back side of one the Foam Tape Strips, and place the Strip in the location shown above, on the left side of the Header.

Repeat on the right side of the Header.

**Step 1**



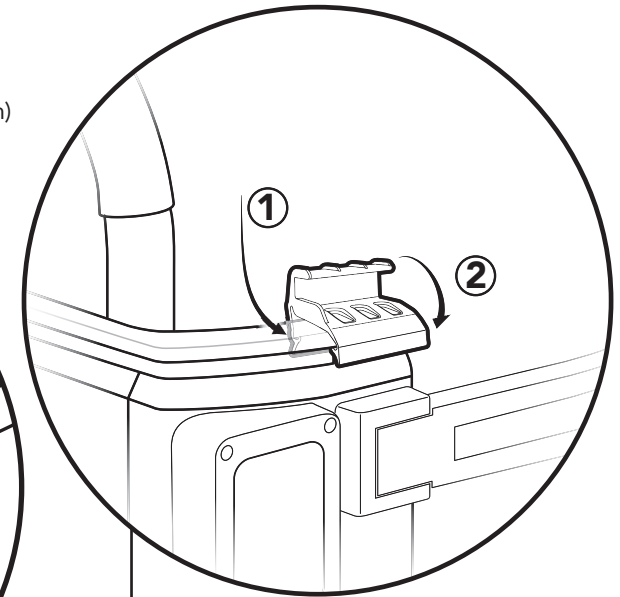
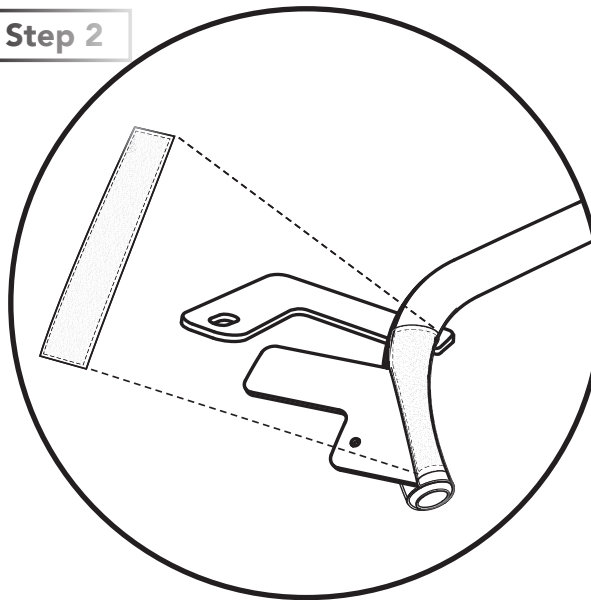
**Hardware**

Adhesive  
Fabric Loop  
Strip  
Part # 546.15  
Qty. 2

Tailgate Bar Mounts  
#539.57 - Left  
#539.56 - Right (shown)  
Qty. 1 of each

**Step 2**

**Step 2**



**Step 1**

From inside the Jeep, wrap the flap located underneath the #3 Bow under the #3 Bow from the back, and snap the eight (8) snaps on the fabric flap to the snaps on the front-facing side of the #3 Bow.

**Step 2**

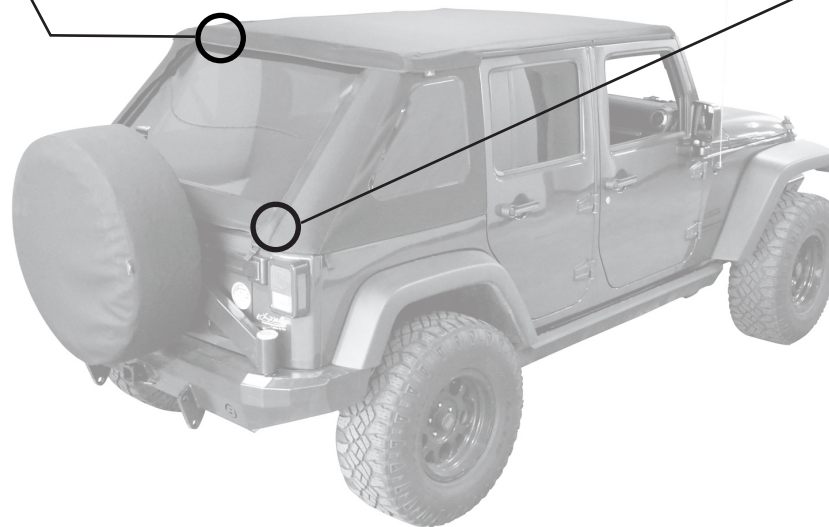
Attach one (1) Adhesive Fabric Loop Strip #546.15 to each end of the Rear Bow as shown. The Loop Strips should align with the Hook Strips on the underside of the fabric top.

**Step 3**

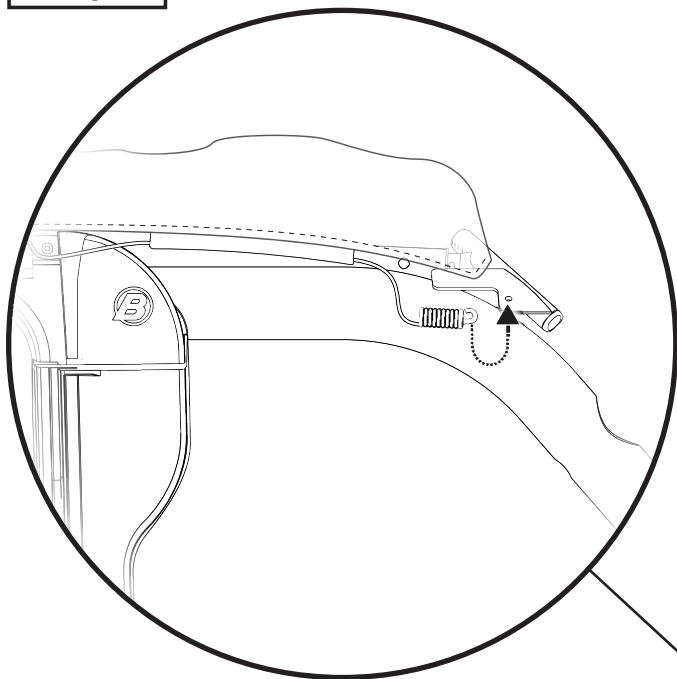
Locate the Left and Right Tailgate Bar Mounts, #539.56 and #539.57. Each bar mount snaps onto the Jeep belt rail just outboard of the tailgate opening.

Snap each mount into place:

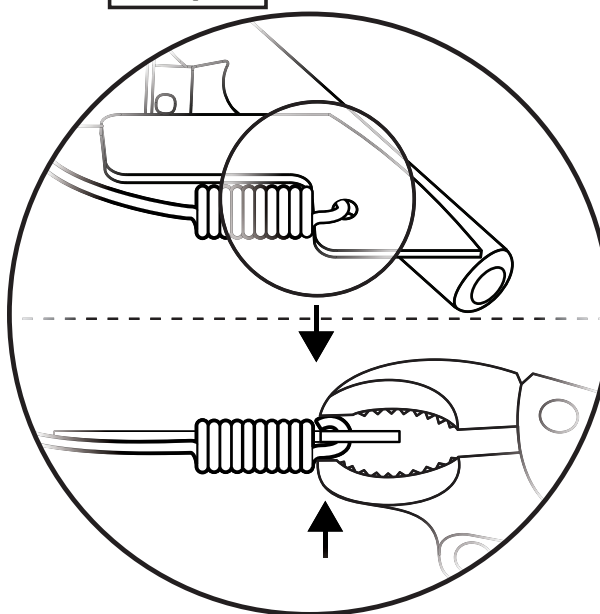
- ① Hook the inner catch portion of the mount under the belt rail on the inside of the tailgate, and then
- ② Roll the mount downward until it snaps into place under the bottom edge of the outside belt rail.



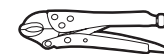
**Step 1**



**Step 2**



**Tools**



Vise-Grips

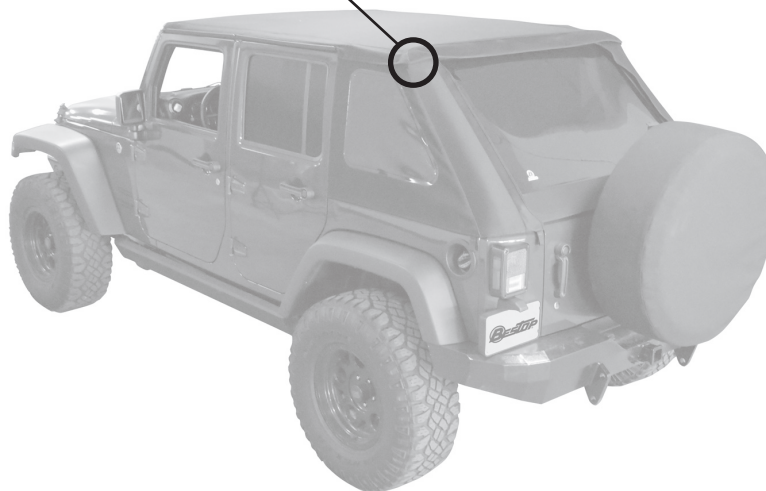
**Step 3**

**Step 1**

Attach the free end of the Cable Spring to the bottom hole in the #3 Bow corner plate, just above the bend in the rear leg of the sport bar.

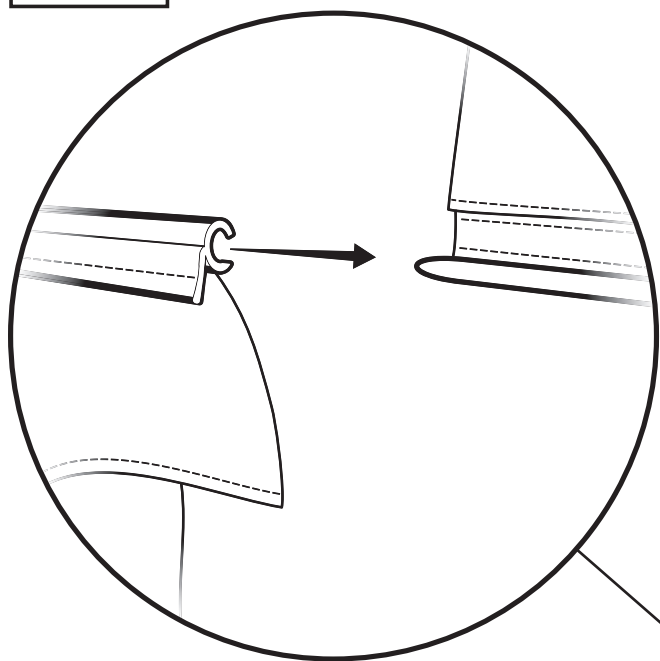
**Step 2**

Crimp the end of the spring where it passes through the hole in the #3 Bow corner plate, to prevent it from coming loose.

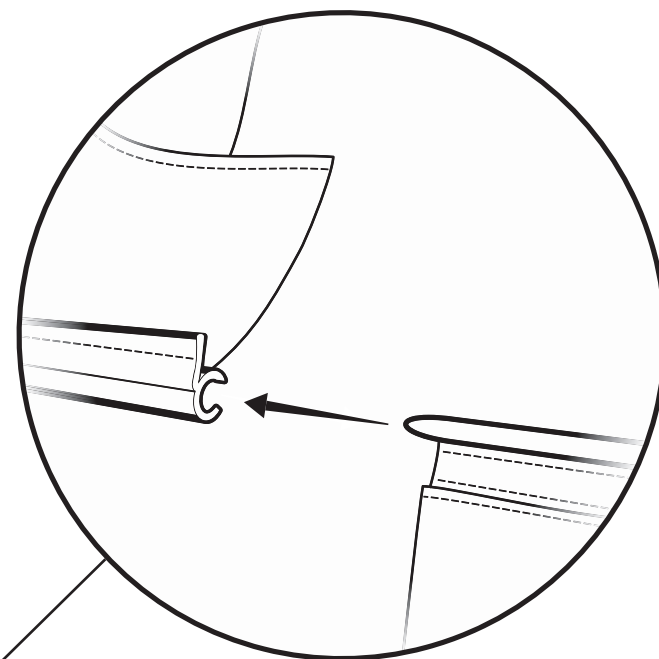




**Step 1**



**Step 2**



**Step 1**

Open the Jeep tailgate.

Locate the sewn-in plastic tube along the rear edge of the top fabric.

Slide the open end of the sewn-in plastic channel along the top edge of the Rear Window over the tapered end of the left side of the plastic tube.

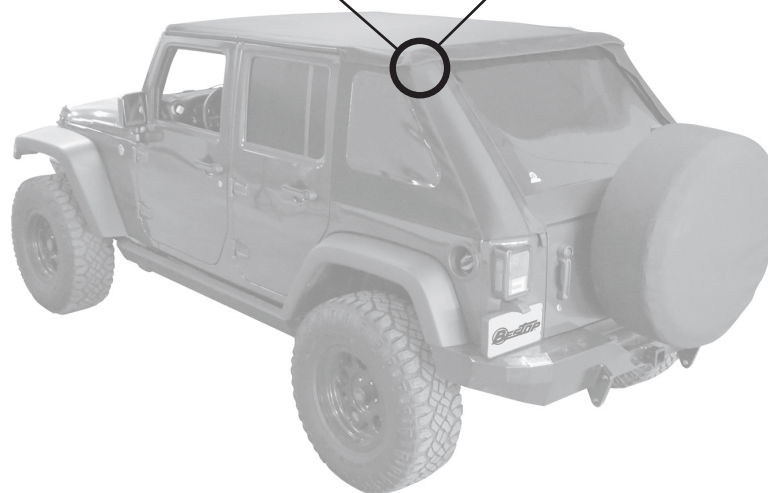
Slide the Rear Window to the right until it reaches the right rear corner of the top fabric.

**Step 2**

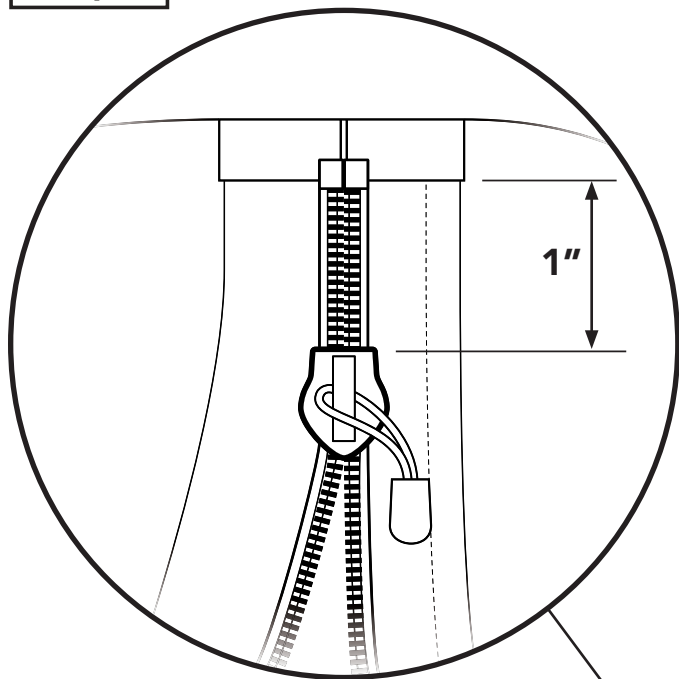
Locate the plastic channel along the left side edge of the top fabric.

Insert the tapered tip of the sewn-in plastic tube at the top edge of the left Quarter Window into the open end of the rear of the channel sewn onto the bottom edge of the top fabric and slide the Quarter Window forward until it stops at the back of the Rear Door Rail.

Repeat on the right Quarter Window.



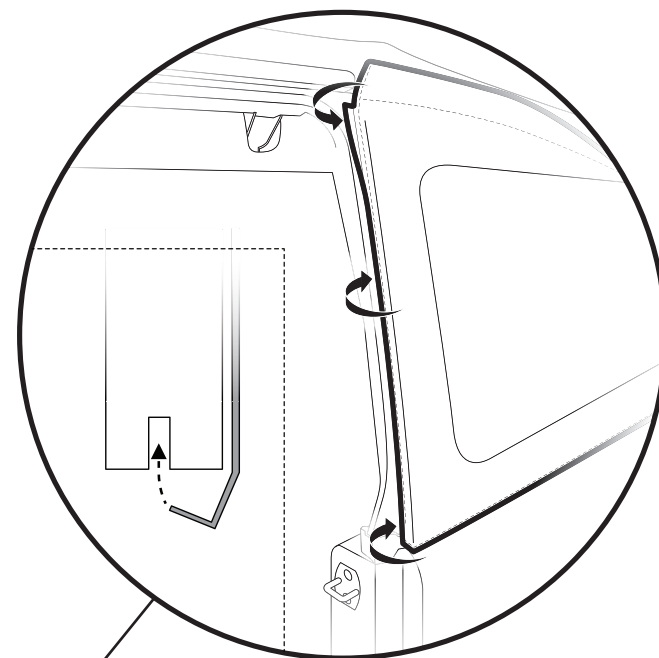
## Step 3



## Step 3

Start the zippers - about 1" - that attach the Rear Window to the Rear Quarter Windows on both sides.

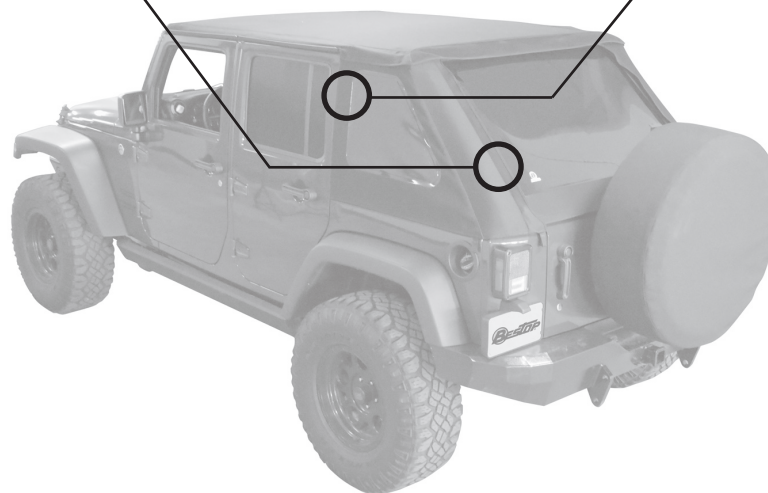
## Step 4



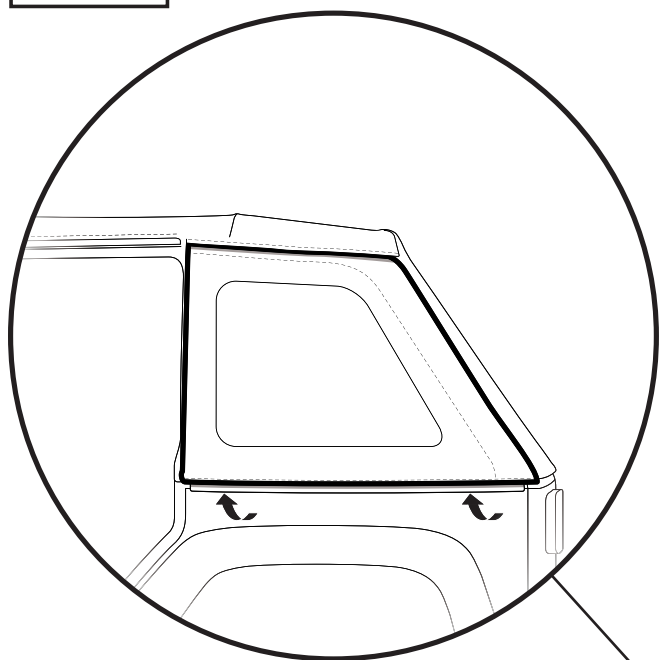
## Step 4

Tuck the plastic angle strip along the front edge of the left Quarter Window into the vertical channel on the front of the Rear Door Rail. The plastic angle strip and attached fabric must be rolled into place in the channel.

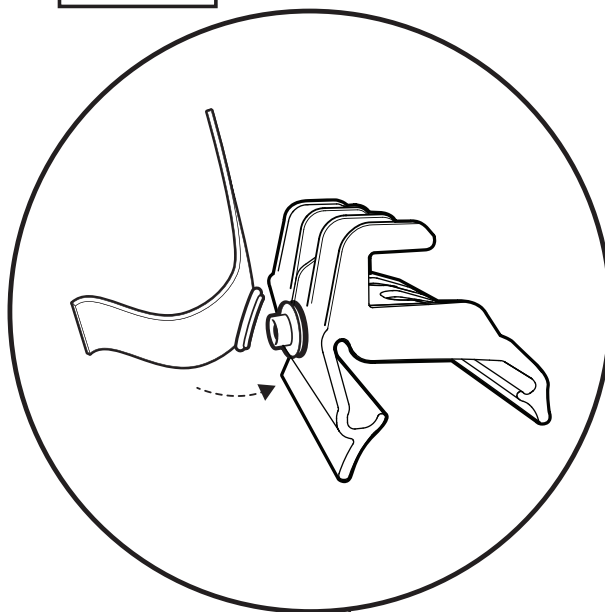
Repeat on the Right Quarter Window.



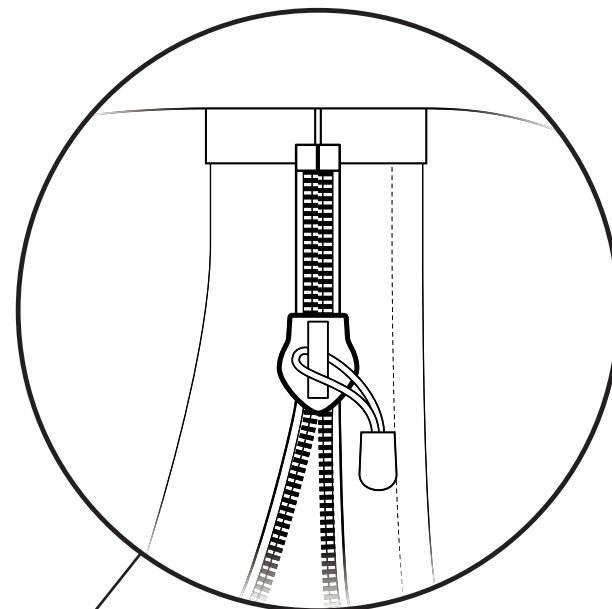
**Step 5**



**Step 6**



**Step 7**



**Step 5**

Tuck the plastic strip along the bottom edge of the left Quarter Window under the Jeep belt rail, by rolling it up underneath the belt rail, beginning at the rear, and working your way forward.

Repeat on the right Quarter Window.

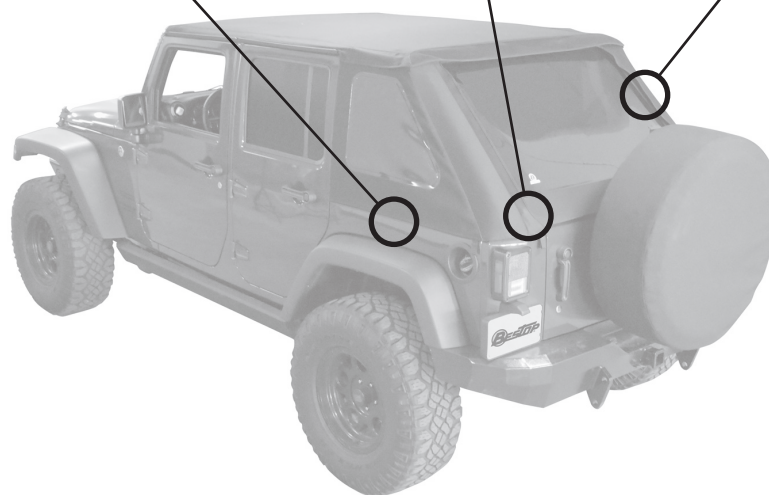
**Step 6**

Locate the sewn-in straps with snaps at the bottom inside corner of each Quarter Window.

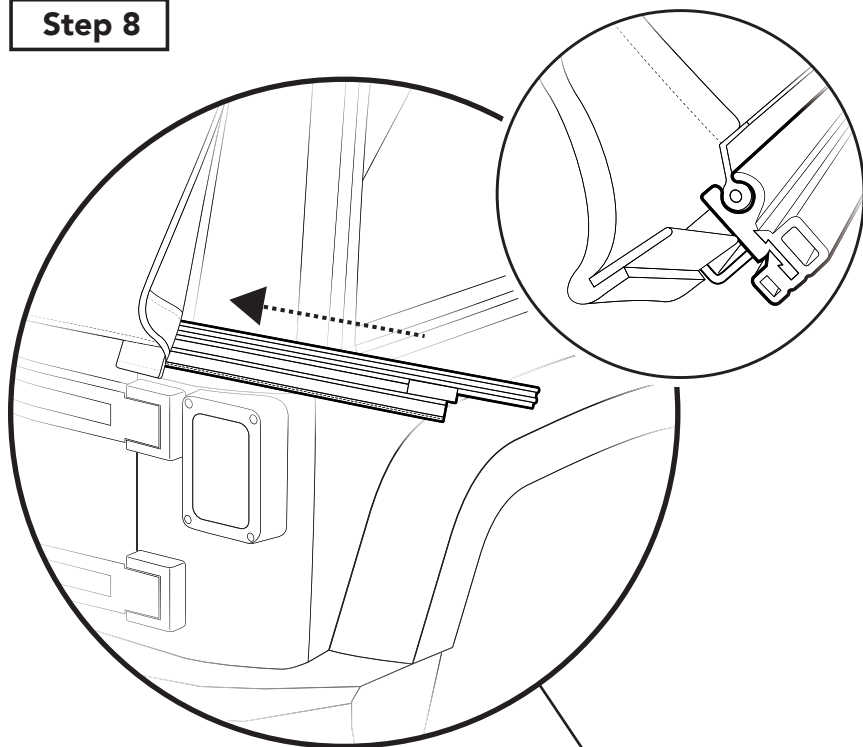
Snap the end of each strap to the snap on the inside of each Tailgate Bar Mount.

**Step 7**

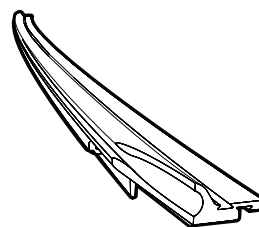
Finish zipping together the Rear Window and the Quarter Windows, which you zipped only about 1" in Step 5.



**Step 8**

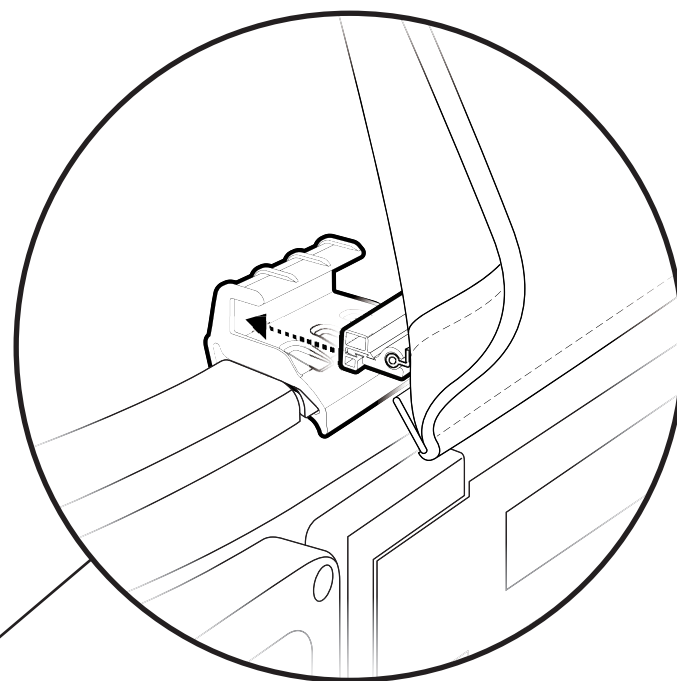


**Hardware**



Tailgate Bar  
#538.76  
Qty. 1

**Step 9**



**Step 8**

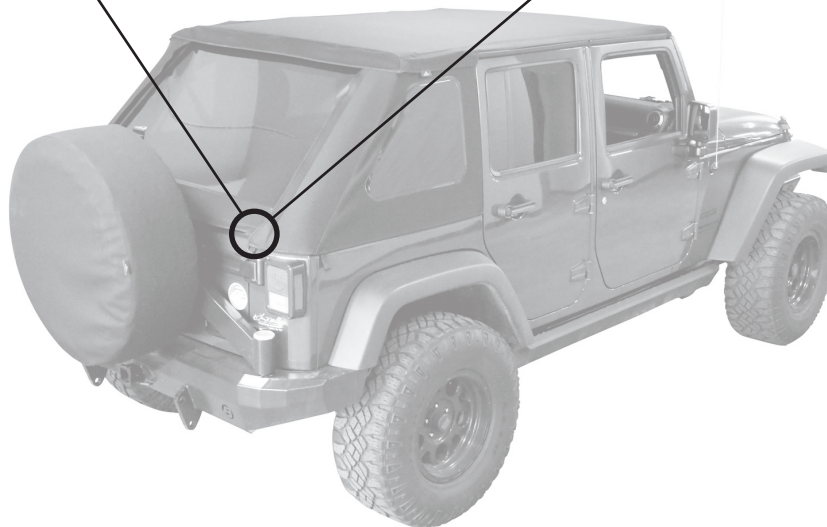
Locate the Tailgate Bar #538.76, and slide it onto the tubing attached to the bottom inside of the Rear Window.

The round channel on the side of the Tailgate Bar slides over the sewn-on tube on the bottom inside of the Rear Window.

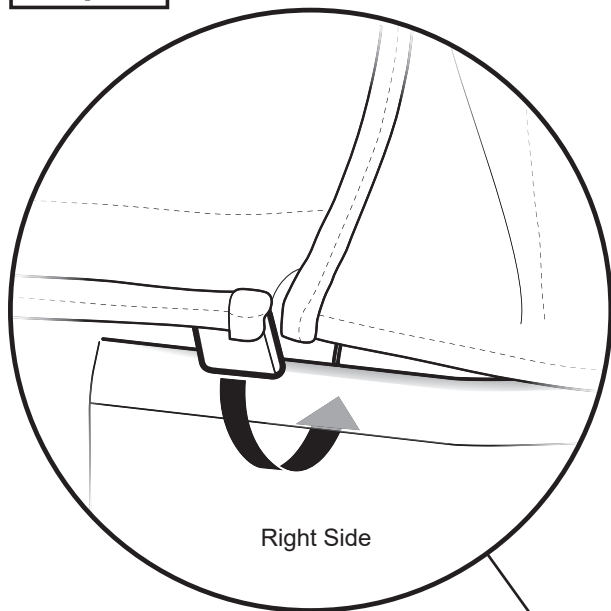
**Step 9**

Snap the front edge of the Tailgate Bar into the channel on the left Tailgate Bar Mount.

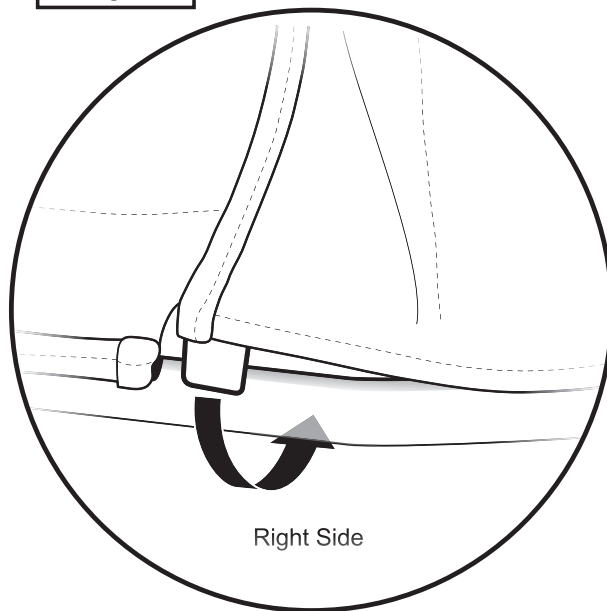
Repeat on the right side.



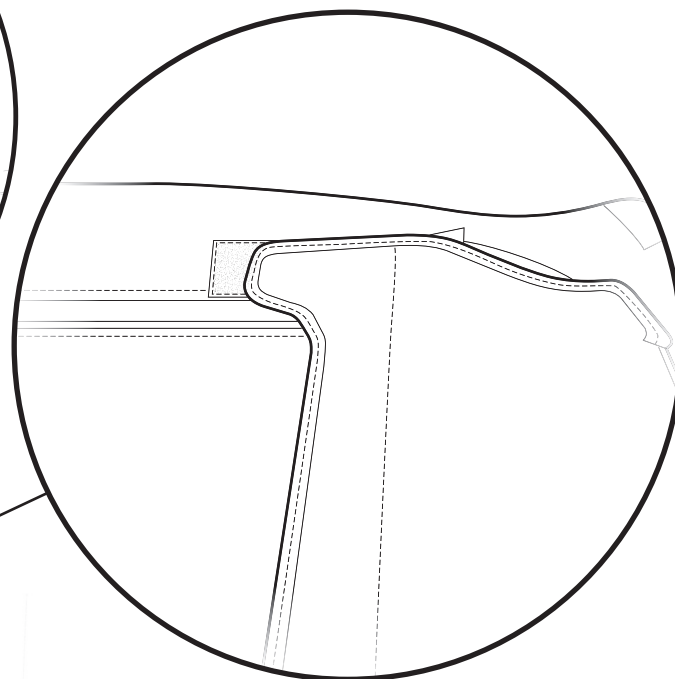
**Step 10**



**Step 11**



**Step 12**



**Step 10**

Tuck the plastic tab at the bottom right corner of the Rear Window under the Jeep belt rail.

Roll the tab up underneath the belt rail.

Repeat on the left side.

**Step 11**

Tuck the plastic tab at the bottom rear corner of the right Rear Quarter Window under the Jeep belt rail.

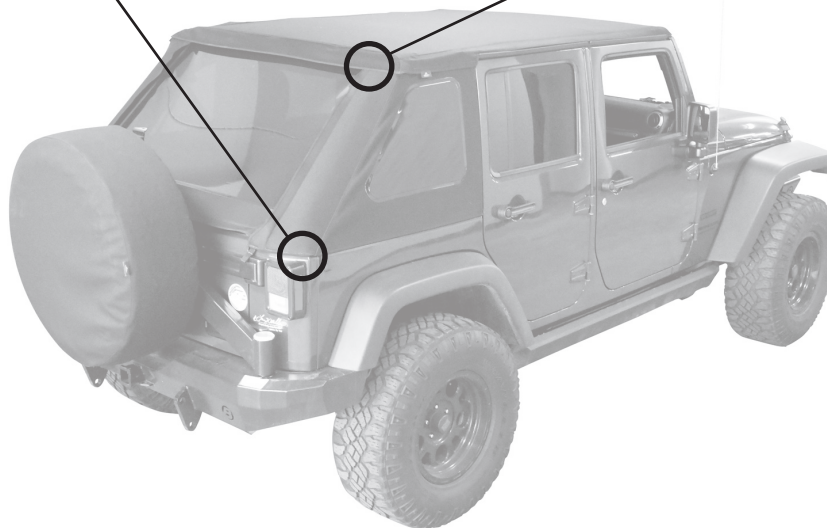
Roll the tab up underneath the belt rail.

Repeat on the left side.

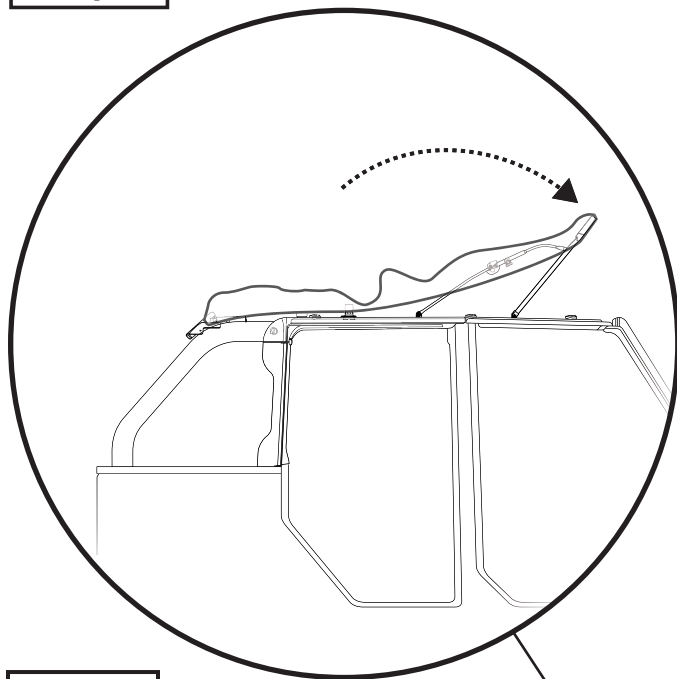
**Step 12**

Locate the hook and loop strip at the right rear corner of the top fabric. Attach the flap at the top corner of the right Quarter Window to the hook and loop strip.

Repeat on the left side of the Jeep.

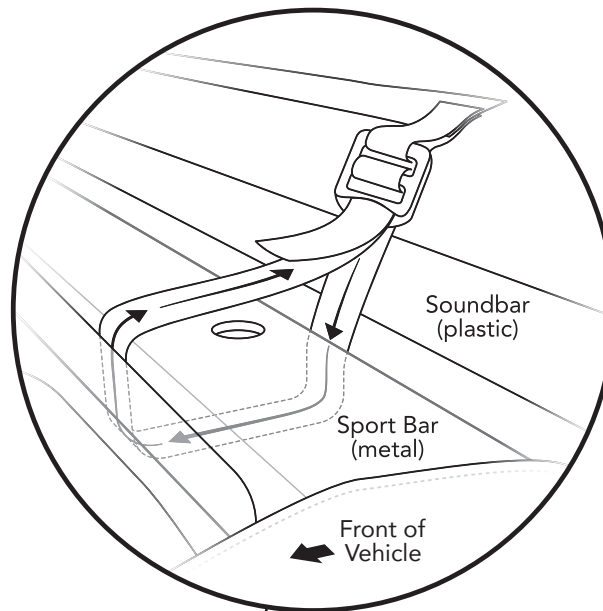


Step 1

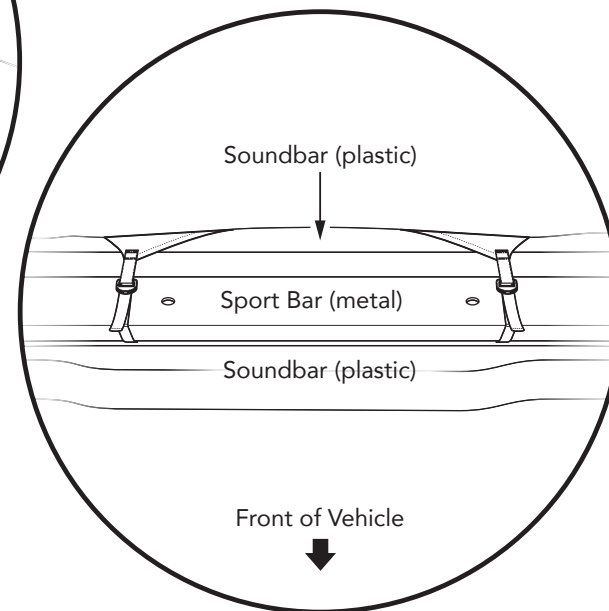


Step 1

Close the Sunrider.



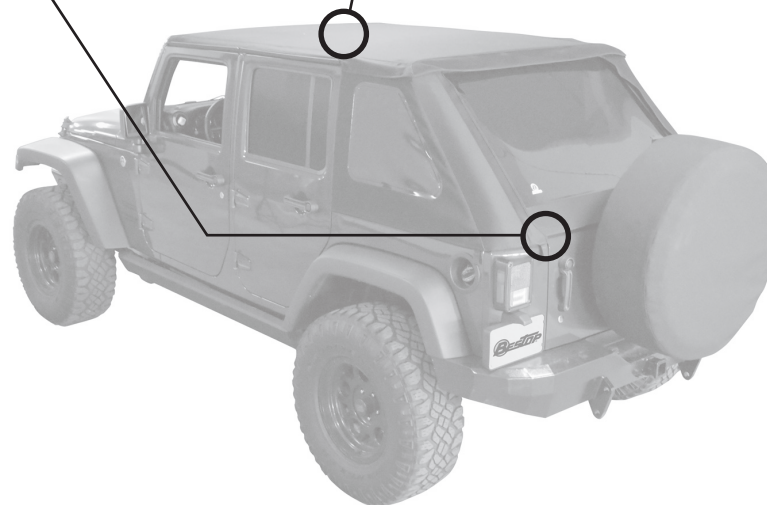
Step 2



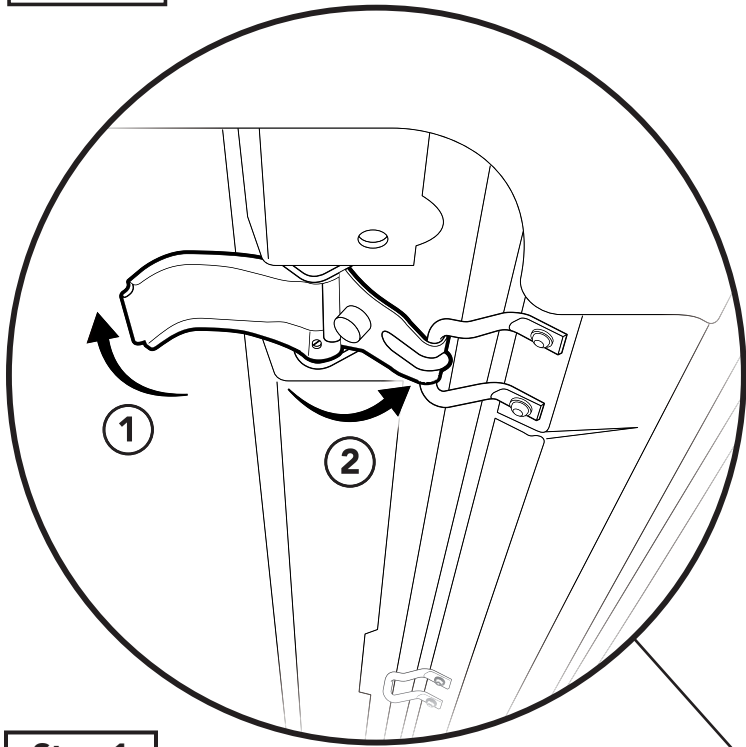
Step 2

From the inside of the Jeep, locate the two straps with buckles attached to the inside of the top fabric. Wrap each strap around the metal portion of the soundbar and secure it to the buckle.

**NOTE:** Don't pull the straps too tight. Just snug them.



Step 1



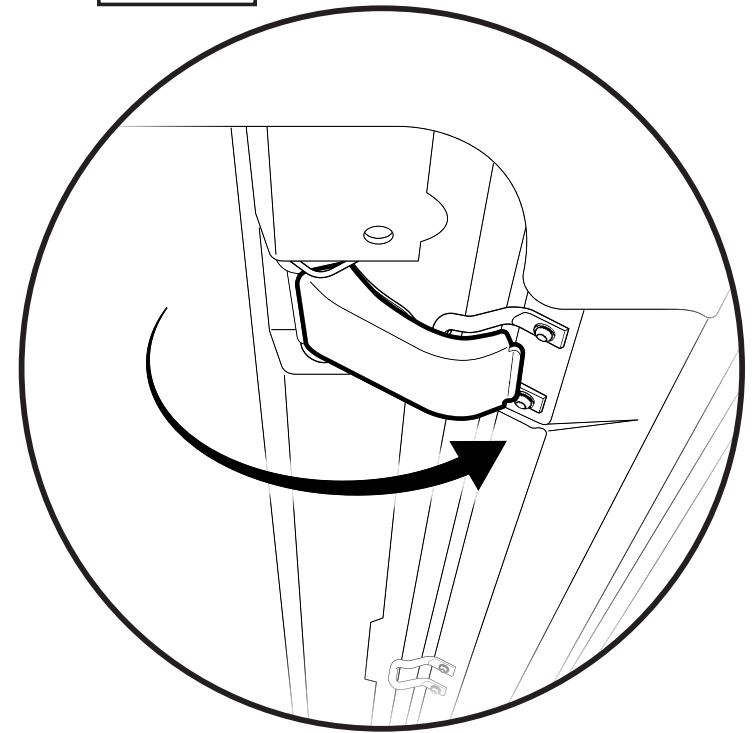
Step 1

From inside the Jeep, locate the two Windshield Header Latches.

To close the latch, ① pivot the latch handle to the completely open position to allow the the hook to engage the windshield loop.

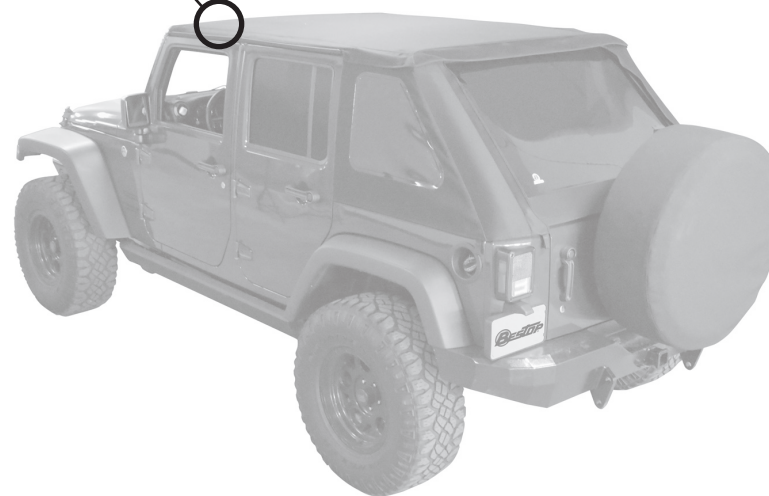
② Now pivot the hook forward to engage the windshield loop.

Step 2

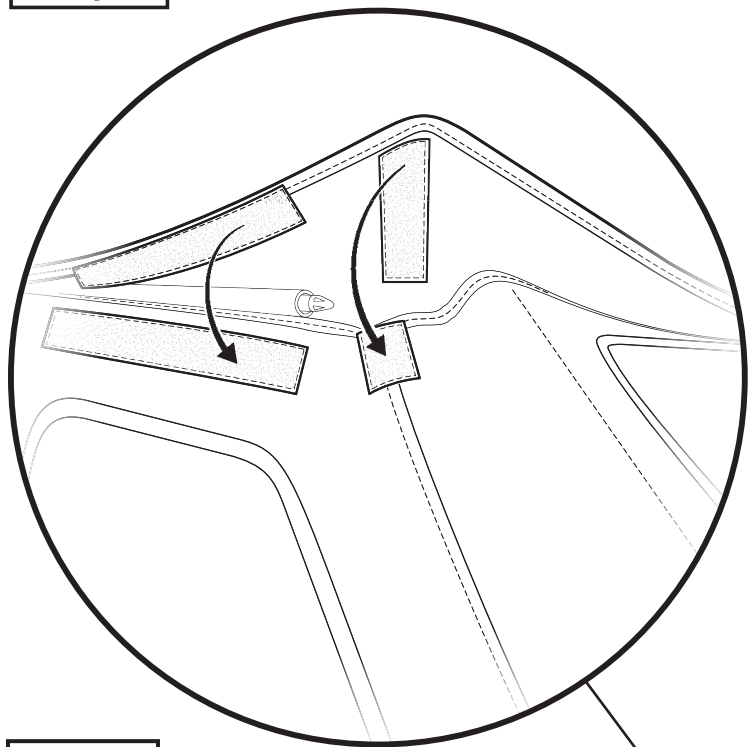


Step 2

When the hooks are engaged with the windshield loops, close each latch by pivoting it forward toward the windshield.



Step 1

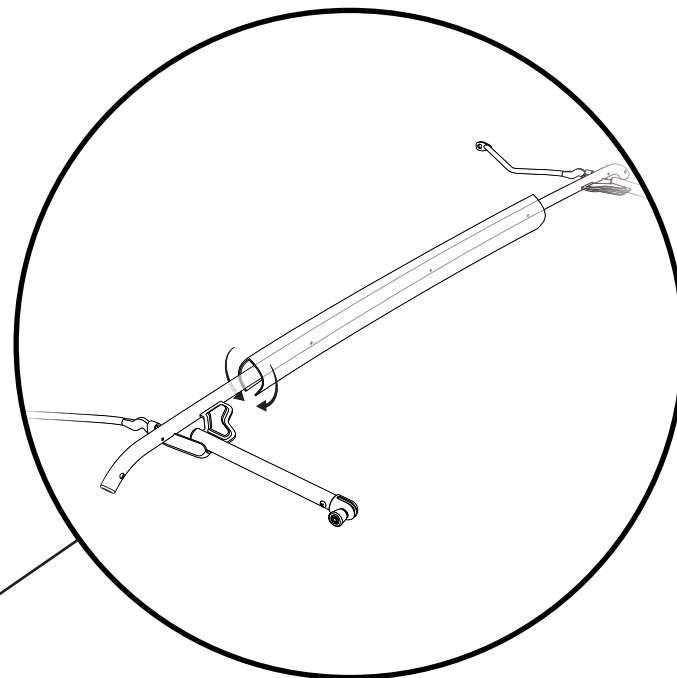


Step 1

Locate the Hook & Loop strips at the rear corners of the top fabric.

Snug the rear corners of the top by attaching the Hook & Loop strips on the underside of the top fabric to the strips along the top edges of the Quarter Window corners.

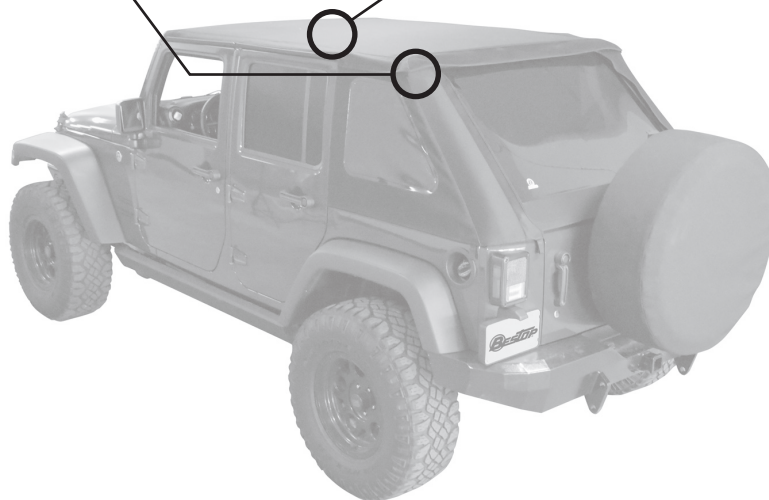
Step 2



Step 2

Inside the Jeep, locate the two flaps over the #2 Bow.

Wrap the flaps around the #2 Bow, and secure the flaps together with the Hook & Loop strips on each flap.







## Care and Maintenance of your Bestop Product

Your Bestop product is made of the finest materials available. To keep it looking new and for the maximum possible wear, it will need periodic cleaning and maintenance.

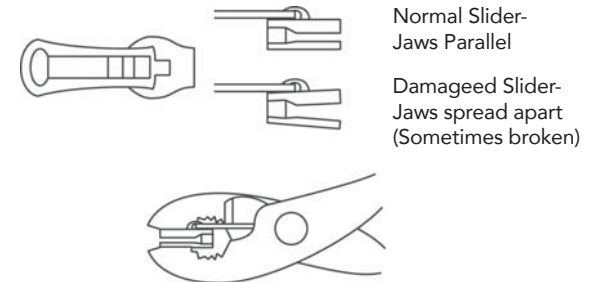
**Fabric:** The fabric should be washed often using soap, warm water and a soft bristle brush. Rinse with clear water to remove all traces of soap. Bestop recommends using Bestop Cleaner (part no. 11201-00) and Bestop Protectant (part no. 11202-00) for Vinyl fabric and Bestop Twill Protectant (part no. 11207-00) for Twill fabric. Bestop Cleaner and Bestop protectant are specially formulated to provide a total cleaning and protection system. Bestop Cleaner safely removes the toughest stains, will not harm vehicle finishes, is biodegradable and environmentally friendly. Bestop Protectant protects against UV-fading, cracking and hardening, and repels dust, grease, dirt and mildew.

**Windows:** Keep windows clean to avoid scratching. DO NOT use a brush on the windows! Wash with a water-soaked cloth or sponge and a mild dishwashing detergent. Bestop recommends Bestop Vinyl Window Cleaner (part no. 11203-00), which safely cleans and protects vinyl windows and helps prevent UV damage. NEVER WIPE THE WINDOWS WHEN THEY ARE DRY. Be careful when cleaning snow or frost from the vinyl windows since they are easily scratched and may crack at low temperatures. DO NOT roll the sides or rear window in cold weather. The windows become stiff and will crack. Cracks caused by misuse in cold temperatures are not covered under warranty.

**Water:** Seeping through at the seams may be stopped by applying 3-M Scotchgard® on the inside of the seams.

**Snaps:** Keep snaps cleaned and lubricated with silicone to help prevent snaps from sticking to the studs. If a snap does become stuck to a stud, use a screwdriver and GENTLY pry apart to prevent permanent damage to the snap or the top fabric.

**Zippers:** Keeping zippers cleaned and lubricated with Bestop's Zipper Cleaner (part no. 11206-00) will help prevent damage and keep the zippers in smooth working condition. If a zipper opens behind the slider, the slider may have been spread apart. This problem can usually be repaired by using an ordinary pair of pliers to bring the sides back into parallel. Return slider to the end of the zipper in the normal Open position. Squeeze lightly at first and test the zipper. If the zipper continues to remain open squeeze more firmly with the pliers and try the zipper again. Repeat this procedure until the zipper operates correctly.



**For Bestop Warranty Information, Please go to;**  
<https://www.bestop.com/help/warranty-information/>

