



Installation Instructions Supertop for Trucks

Vehicle Application:
Toyota Tacoma 2005-Current 6'
Part Number 77301

Installation Tips

Before you begin installing your new Supertop, please read all the instructions thoroughly.

It is recommended that two people install this Bestop product.

For a smooth fit:

For easier installation, the top should be installed at a temperature above 72° F. Below this temperature, the fabric may contract an inch or more, making it difficult to fit the vehicle. You may let the fabric sit in the sun for 15-20 minutes before installing to let the fabric warm up.

It is normal for the fabric to contract and wrinkle when stored in the shipping carton. Within a few days after installation, the fabric will relax and the wrinkles will disappear.




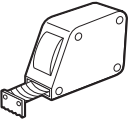


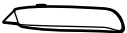








WARNING Do not rely in any way on the components of this product to protect against injury or death in the event of an accident. Never operate the vehicle in excess of manufacturer's specifications.

Read and follow, precisely, all installation instructions provided when installing this product. Failure to do so may result in a poor fit and could place occupants of the vehicle in a potentially dangerous situation.



CAUTION Safety glasses should be worn at all times when installing this product.

WEAR SEAT BELTS AT ALL TIMES

Tools	Installation Time	Support
 Ratchet  9/16" Socket - OR -  9/16" Wrench  Tape Measure  Safety Glasses  1/8" & 1/4" Allen Wrench  Utility Knife  T20 Torx Driver  Pliers  Wire Ties (Not included)	<p data-bbox="1079 1122 1346 1182">2 00 2 hours</p> <p data-bbox="1129 1268 1289 1300">Skill Level</p> <p data-bbox="1031 1344 1373 1414">     </p> <p data-bbox="1037 1425 1331 1458">3 - Moderately Difficult</p>	<p data-bbox="1562 1081 1856 1179">We're here to help! Go to: https://www.bestop.com and click on Need Help?</p>  <p data-bbox="1514 1430 1898 1458">https://www.bestop.com/video-library</p>



Installation Instructions Supertop for Trucks

Vehicle Application:
Toyota Tacoma 2005-Current 6'
Part Number 77301

Sugerencias de Instalación

Antes de empezar a instalar esta unidad, lea atentamente todas las instrucciones.

Para un buen ajuste:

Para facilitar la instalación, el producto debe instalarse a temperaturas superiores a 72 °F (22 °C).

Por debajo de esta temperatura, la tela puede encogerse una pulgada o más, lo que dificultaría su ajuste al vehículo.

Es normal que la tela se contraiga o arrugue cuando está guardada en la caja de empaque. A los pocos días después de la instalación, la tela se relajará y las arrugas desaparecerán.



ADVERTENCIA

Este producto se diseñó principalmente para mejorar la apariencia del vehículo y proteger a los ocupantes de las condiciones climáticas comunes. De ninguna manera piense que los componentes de este producto pueden servir como medio de contención para los ocupantes del vehículo o que pueden protegerlos contra lesiones o la muerte en caso de accidente. Este producto no protegerá a los ocupantes contra caídas de objetos. Nunca conduzca este vehículo fuera de las especificaciones del fabricante.

USE LOS CINTURONES DE SEGURIDAD EN TODO MOMENTO

Lea y siga con precisión todas las instrucciones de instalación que se proporcionan para instalar este producto. Si no lo hace, podría producirse un mal ajuste que colocaría a los ocupantes del vehículo en una situación potencialmente peligrosa.



PRECAUCIÓN

Debe usar gafas protectoras en todo momento durante la instalación de este producto.

Conseils pour l'installation

Lire toutes les instructions au complet avant de commencer l'installation de cet assemblage.

Pour un ajustement sans problème :

Afin de faciliter l'installation, ce produit doit être installé à des températures au-dessus de 72 °F (22 °C).

Sous cette température, le tissu peut rétrécir d'un pouce (2,5 cm) ou plus, ce qui rendra l'ajustement sur le véhicule difficile.

Il est normal que le tissu rétrécisse et plisse pendant qu'il est dans la boîte d'expédition. En quelques jours après l'installation, le tissu se détendra et les plis disparaîtront.



AVERTISSEMENT

Ce produit est conçu principalement pour améliorer l'apparence du véhicule et pour protéger les occupants des conditions météorologiques usuelles. Ne jamais se fier aux composants de ce produit pour se protéger de blessures ou de la mort en cas d'accident. Ce produit ne protégera pas les occupants des chutes d'objets. Ne jamais utiliser le véhicule au-delà des caractéristiques techniques indiquées par le fabricant.

PORTER UNE CEINTURE DE SÉCURITÉ EN TOUT TEMPS

Lire et suivre, très fidèlement, toutes les instructions d'installation fournies lors de l'installation de ce produit. Ne pas suivre cette consigne peut causer une installation inadéquate et mettre les occupants du véhicule dans une situation potentiellement dangereuse.



MISE EN GARDE

Des lunettes de sécurité doivent être portées en tout temps lors de l'installation de ce produit.

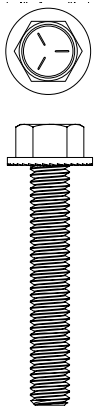


Installation Instructions Supertop for Trucks

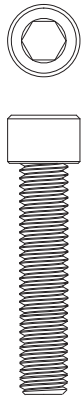
Vehicle Application:
Toyota Tacoma 2005-Current 6'
Part Number 77301

Parts List

Parts Kit # 588.02



Hex Head Bolt
Part #581.75
Qty. 4
9/16" Wrench



1.5" Socket Bolt
Part #581.77
Qty. 2
1/4" Hex Key



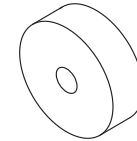
1" Socket Bolt
Part #581.76
Qty. 2
1/4" Hex Key



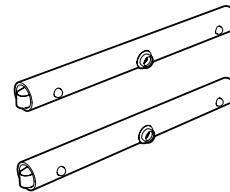
Set Screw
Part #573.17
Qty. 4
1/8" Hex Key



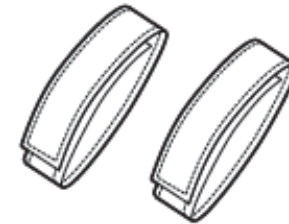
1/4" Spacer
Part #634.16
Qty. 2



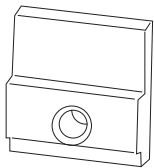
1/2" Spacer
Part #581.63
Qty. 2



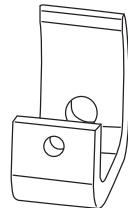
Bow Coupler
#1 & #4 Bows
Part #576.04
Qty. 2



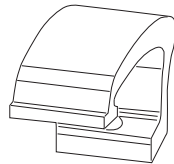
Tie Down Straps
Part #410.42
Qty. 2



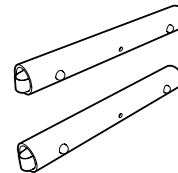
Track Block
Part #581.61
Qty. 4



Lower Clamp Small
Part #582.07
Qty. 4



Rear Upper Clamp
Part #582.06
Qty. 2



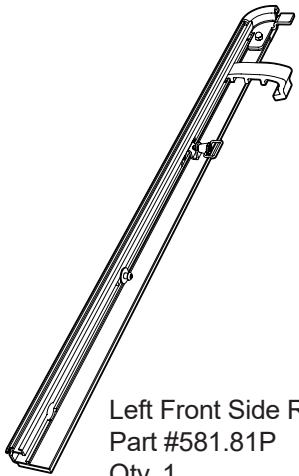
Bow Coupler
#2 & #3 Bows
Part #576.05
Qty. 2



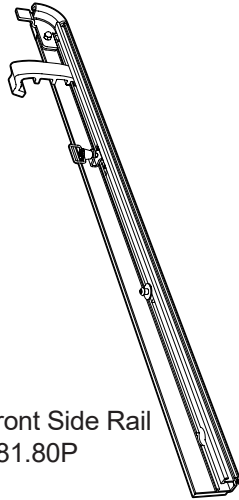
Installation Instructions Supertop for Trucks

Vehicle Application:
Toyota Tacoma 2005-Current 6'
Part Number 77301

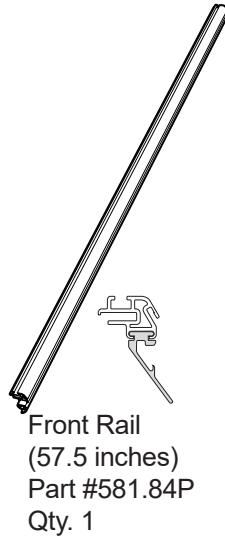
Parts List



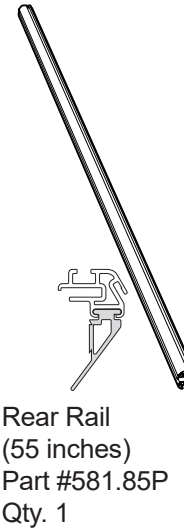
Left Front Side Rail
Part #581.81P
Qty. 1



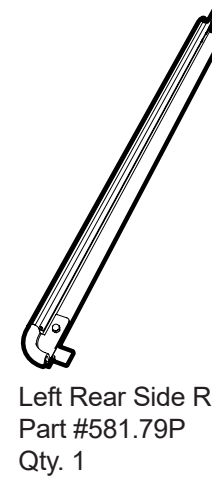
Right Front Side Rail
Part #581.80P
Qty. 1



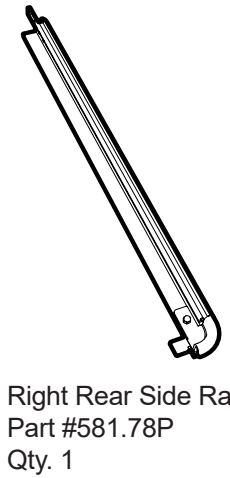
Front Rail
(57.5 inches)
Part #581.84P
Qty. 1



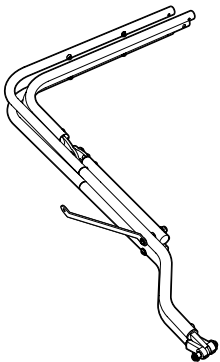
Rear Rail
(55 inches)
Part #581.85P
Qty. 1



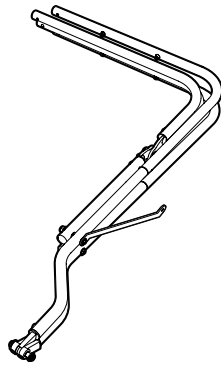
Left Rear Side Rail
Part #581.79P
Qty. 1



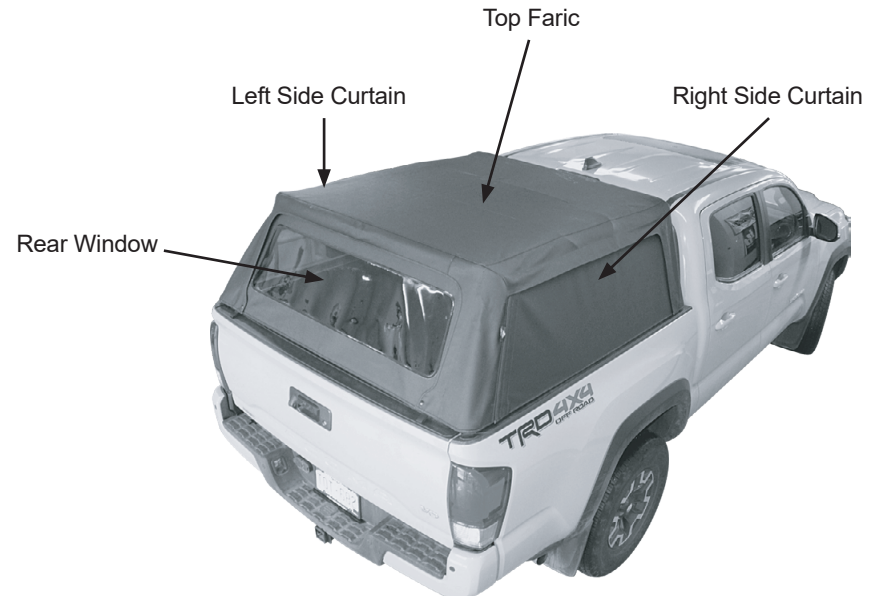
Right Rear Side Rail
Part #581.78P
Qty. 1



Bow Stack -
Driver Side
Part #579.43P
Qty.1



Bow Stack -
Passenger Side
Part #579.42P
Qty.1

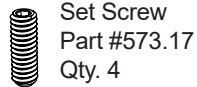


Tools



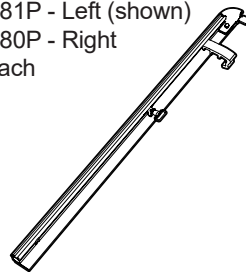
1/8" Allen Wrench

Parts

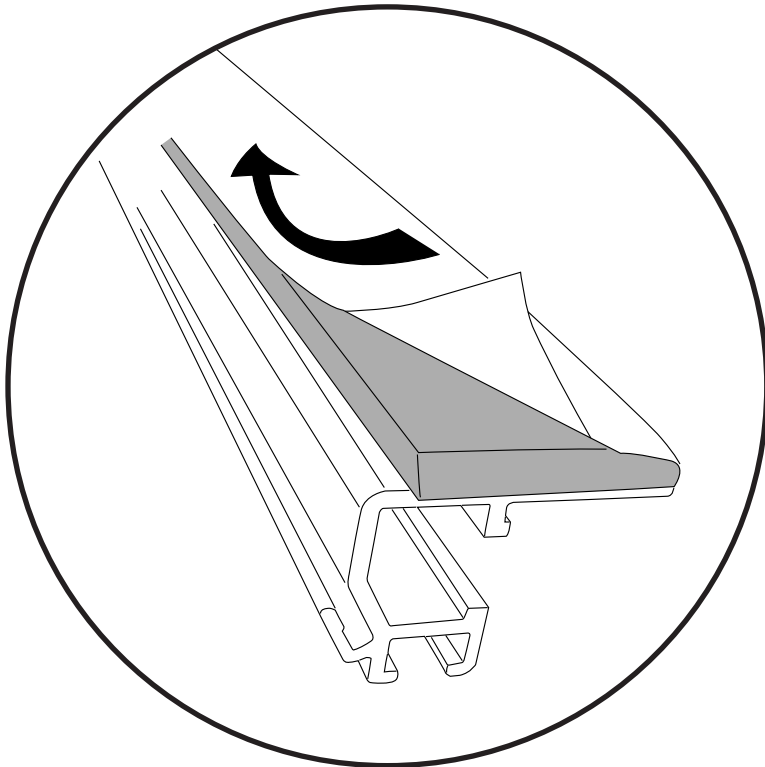
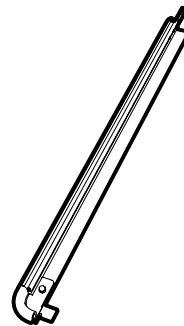


Set Screw
Part #573.17
Qty. 4

Front Side Rail
Part #581.81P - Left (shown)
Part #581.80P - Right
Qty. 1 of each

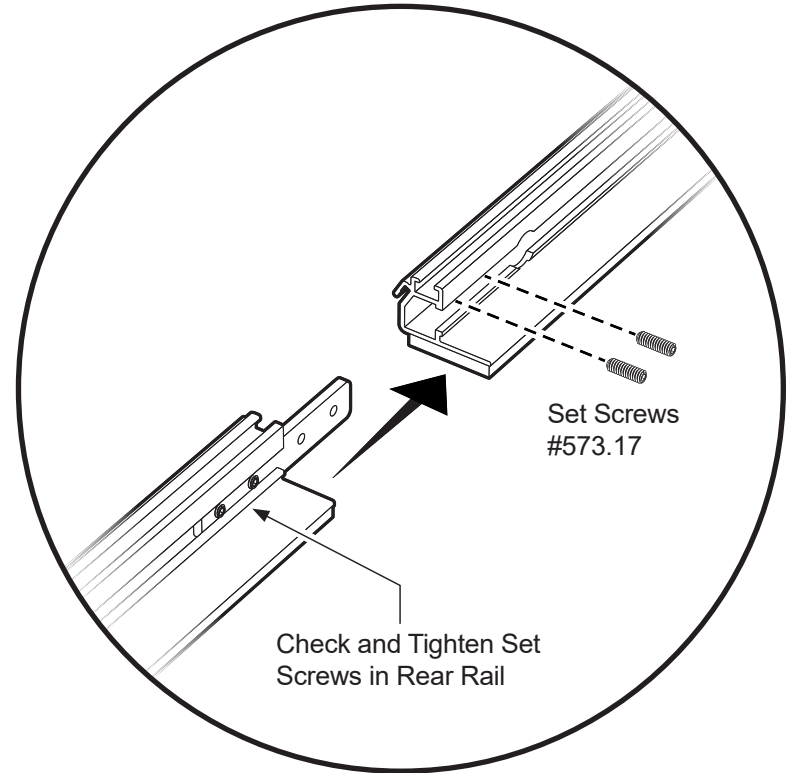


Rear Side Rail
Part #581.79P - Left (shown)
Part #581.78P - Right
Qty. 1 of each



Locate the Foam Tape on the Left and Right Side Rails, and remove the paper backing from the foam tape.

Repeat with the both Side Rails.



Set Screws #573.17

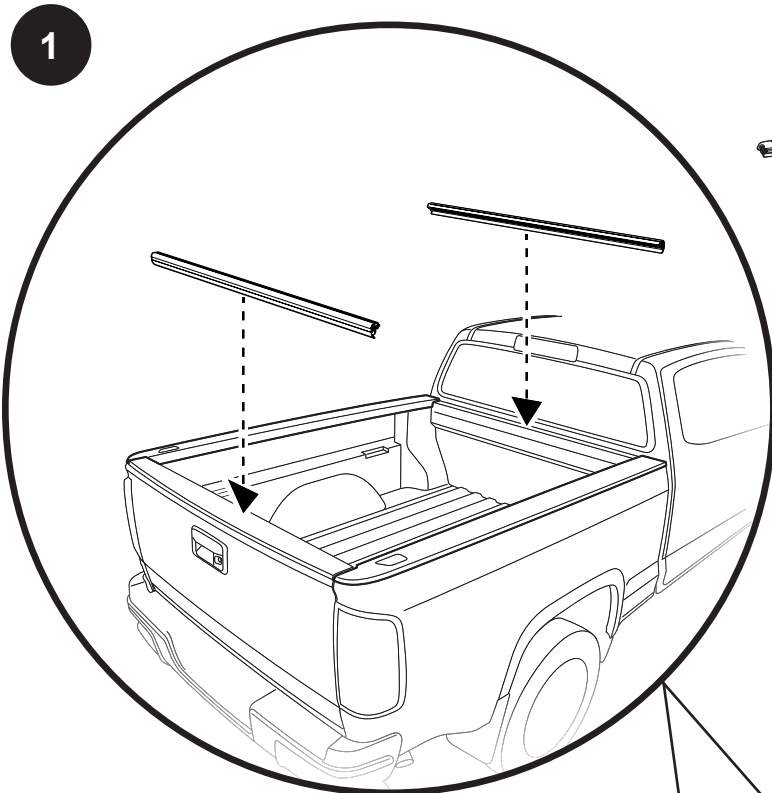
Check and Tighten Set Screws in Rear Rail

Assemble the Left Front Side Rail #581.81P and the Left Rear Side Rail #581.79P.

Slide the rails together, and secure using two set screws #573.17.

Check and tighten the two (2) set screws in the rear rail.

Repeat with the Right Side Rails.

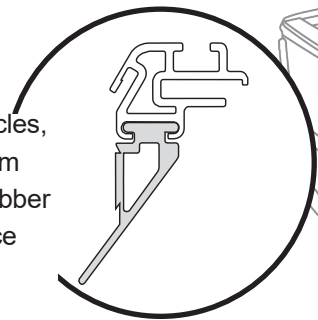


Place the Front Rail #581.84P and Rear Rail #581.85P onto the truck bed.

Lay the Rails on top of the truck bed in front, and on top of the plastic bed protector at the rear.

NOTE: The Front Rail is longer than the Rear Rail.

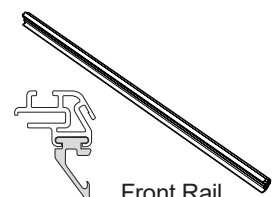
NOTE: For 2005-2015 vehicles, You must pull the end cap from the Rear Rail and slide the rubber seal out, reverse it and replace the end cap.



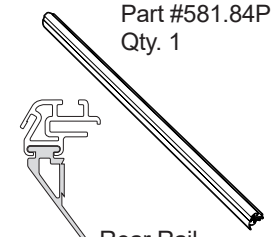
Hardware



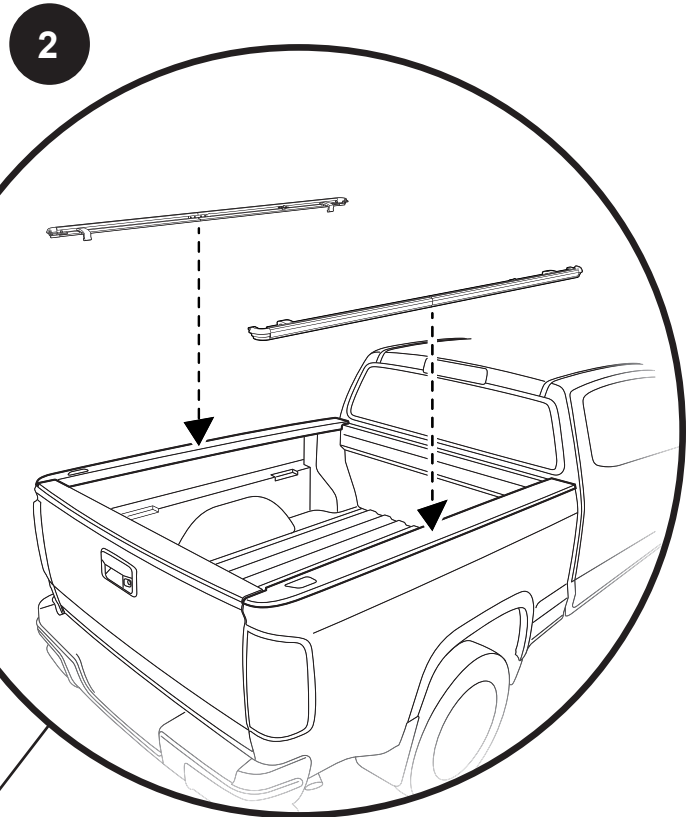
Side Rail Assemblies
Qty. 1 of each



Front Rail
(57.5 inches)
Part #581.84P
Qty. 1

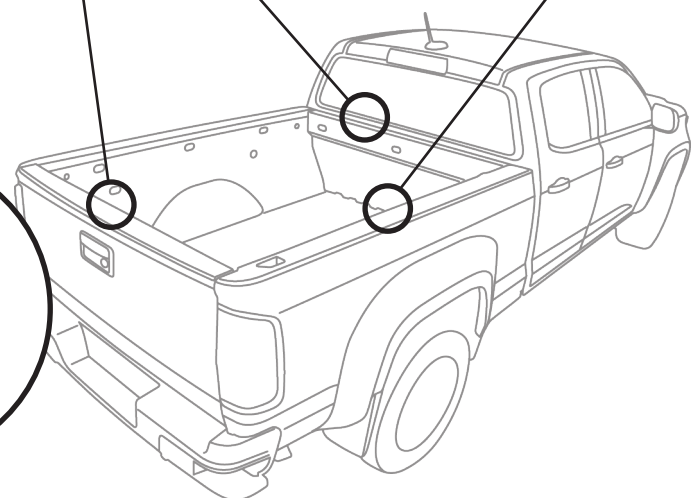


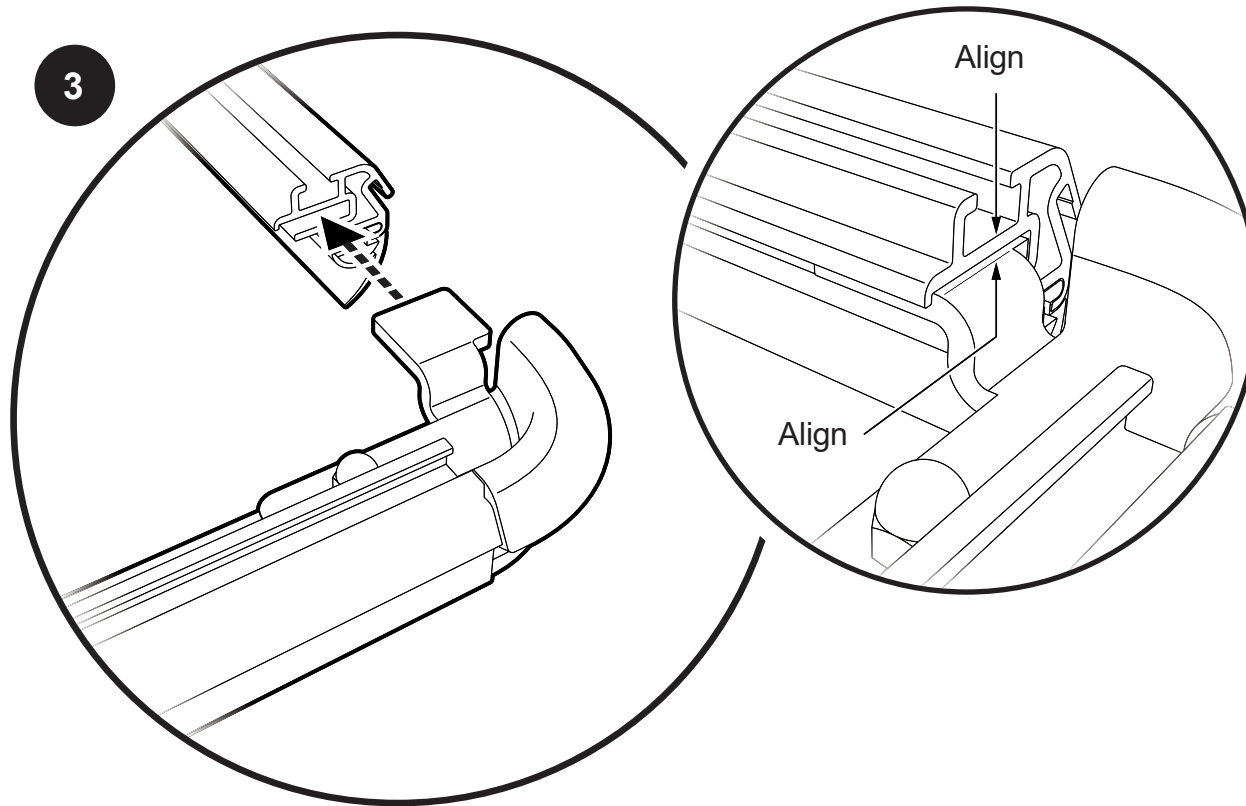
Rear Rail
(55 inches)
Part #581.85P
Qty. 1



Place Side Rail assemblies onto the the truck bed. Lay the Rails on top of the plastic bed protectors.

Attach the Side Rails to the Front and Rear Rails.

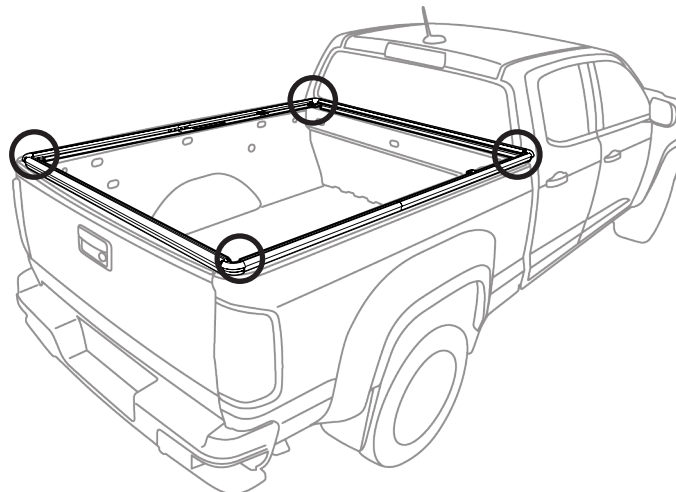


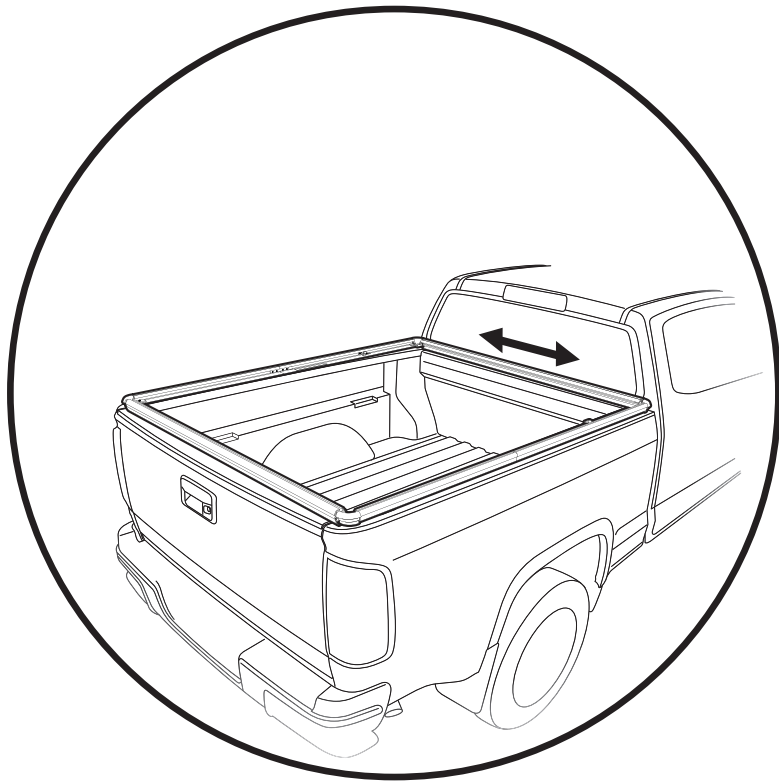


Attach the Front and Rear Rails to the Side Rail Assemblies.

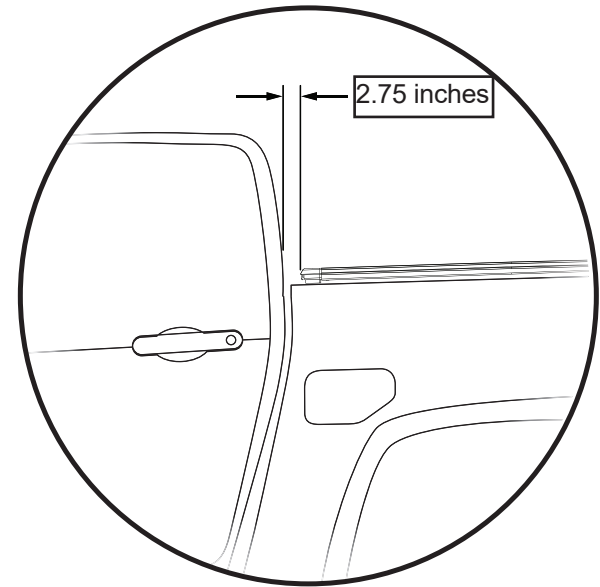
Slide the tabs at the front and rear of the Side Rail Assemblies into the slots in the Front and Rear Rails.

Make sure that the ends of the Front Rail and Rear Rail extrusions are aligned with the tongue of the attachment feature, where the tongue bends, and the small corner protrudes.

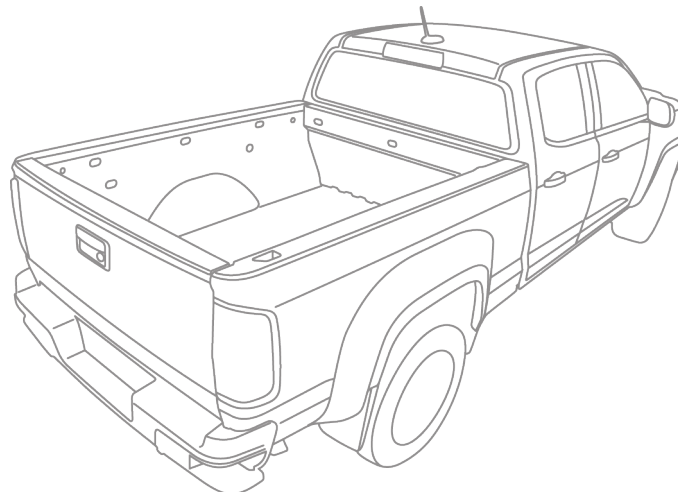




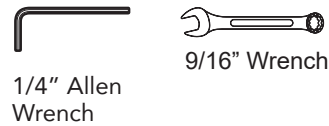
Adjust the Side and Front and Rear Rail assembly right-to-left to center it on the bed width.



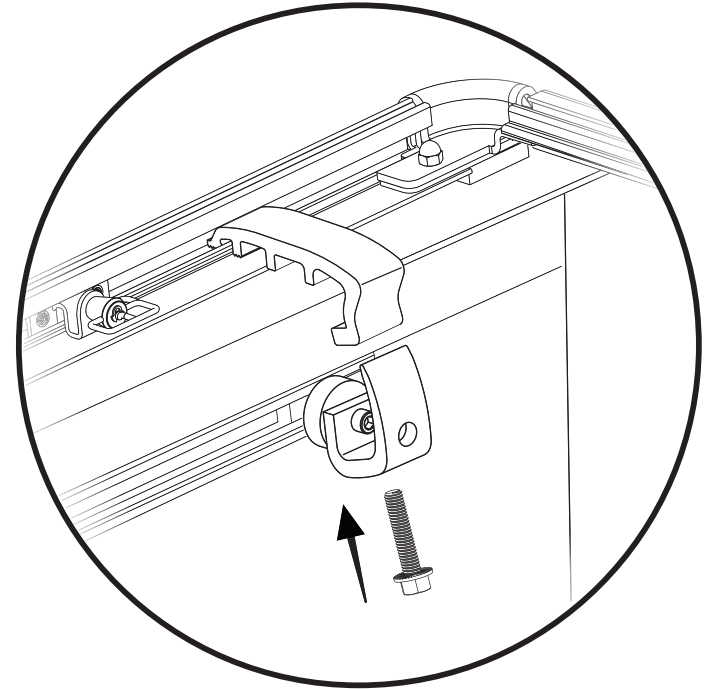
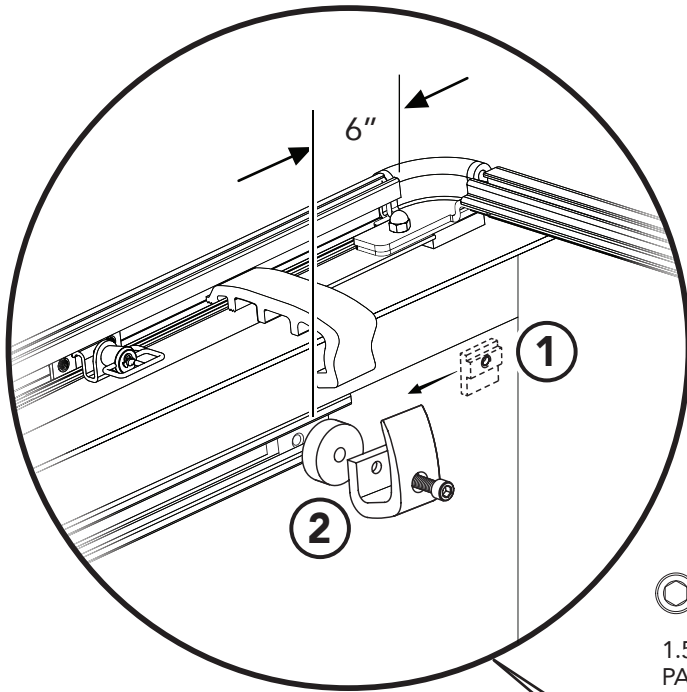
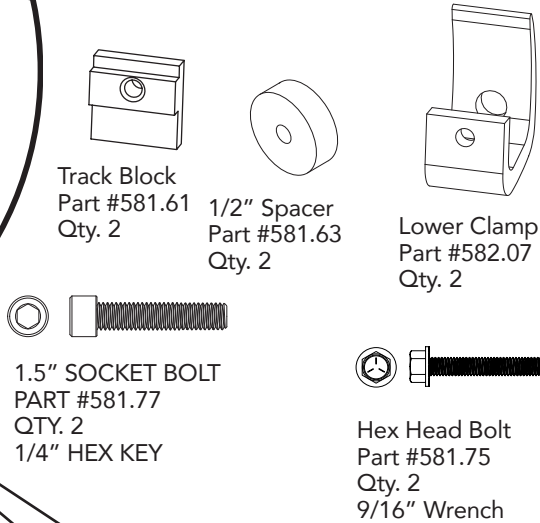
Place the outer edge of both side rail corners 2.75 inches from the back of the vehicle cab.



Tools



Parts



- 1 Remove the end cap from the vehicle track system, and slide the Track Block into the track.

The Track Block should be located 6" from the end of the Front Side Rail.

Make sure the Track Block is oriented so that the threaded hole is on top.

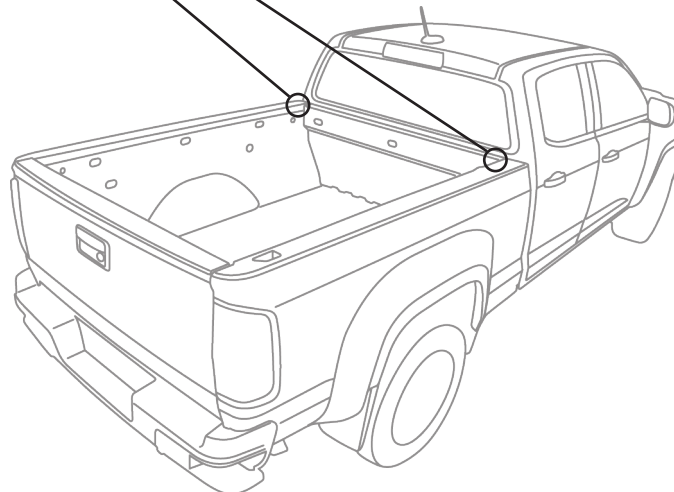
- 2 Attach the 1/2" Spacer and the Lower Clamp to the Track Block using the 1.5" Socket Bolt. Tighten by hand.

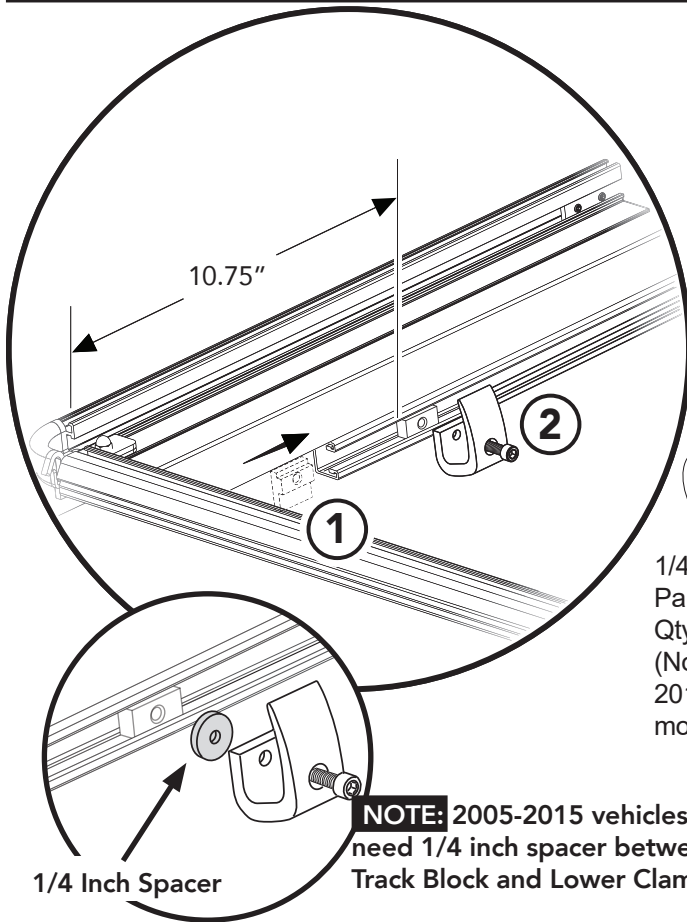
Complete the same steps on the opposite side of the vehicle.

Align the Pre-installed Upper Clamp to the Lower Clamp, using Hex Bolt to tighten the two Clamps together.

Complete the same steps on the opposite side of the vehicle.

NOTE: Lower Clamp may need to be moved either forward or rearward to make installation of the upper clamp easier.



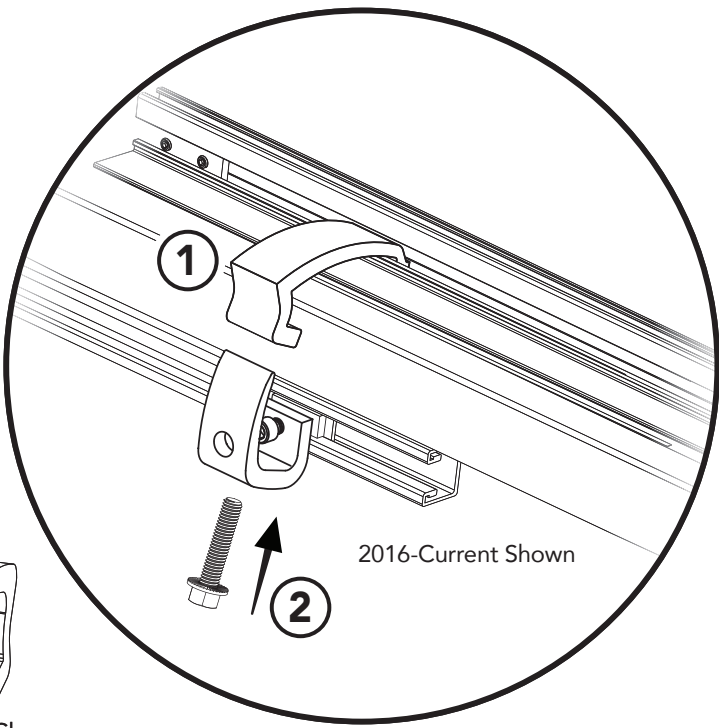


Tools

- 1/4" Allen Wrench
- 9/16" Wrench

Parts

- Hex Head Bolt Part #581.75 Qty. 2 9/16" Wrench
- Lower Clamp Part #582.07 Qty. 2
- 1/4" Spacer Part #634.16 Qty. 2 (Not used on 2016- current models).
- Track Block Part #581.61 Qty. 2
- 1" Socket Bolt Part #581.76 Qty. 2 1/4" Hex Key
- Rear Upper Clamp Part #582.06 Qty. 2



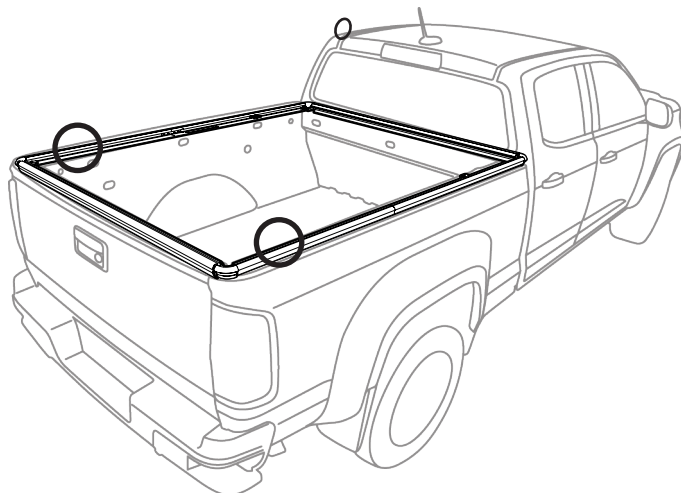
① Remove the end cap from the vehicle track system, and slide the Track Block into the track.

The Track Block should be located 10.75" from the end of the Rear Side Rail.

Make sure the Track Block is oriented so that the threaded hole is on top.

② Attach the Lower Clamp to the Track Block using the 1" Socket Bolt. Tighten by hand.

Complete the same steps on the opposite side of the vehicle.

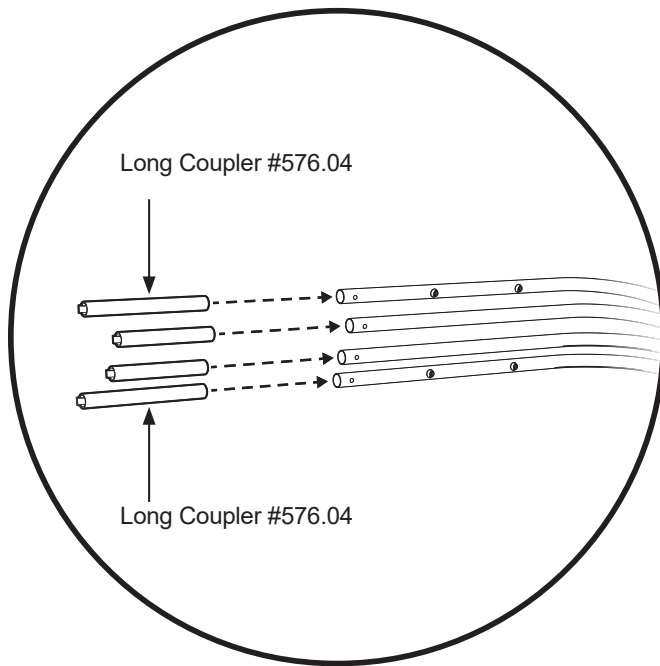


① Insert the Rear Upper Clamp into the Side Rail and align with the Lower Clamp.

② Use Hex Bolt to attach the Rear Upper Clamp to the Lower Clamp, and tighten.

Complete the same steps on the opposite side of the vehicle.

NOTE: Lower Clamp may need to be moved either forward or rearward to make installation of the upper clamp easier.



Attach Bow Couplers and #576.05 to the Passenger Side Bow Stack.

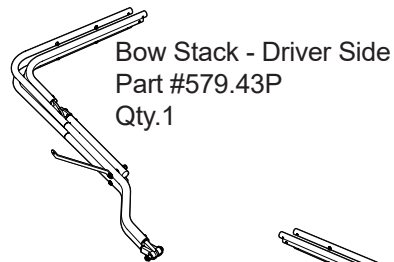
Insert Long Couplers into the outer bows #1 and #4.

Insert Short Couplers into the inner bows #2 and #3.

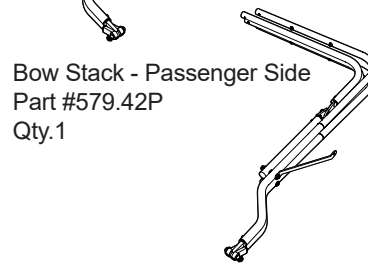
For Easier Installation:

Slide all bows and couplers together before snapping the spring clips into the holes in the bows.

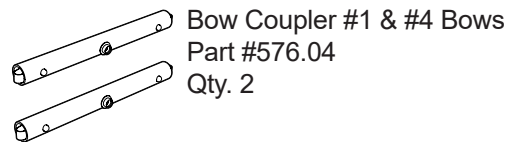
Parts



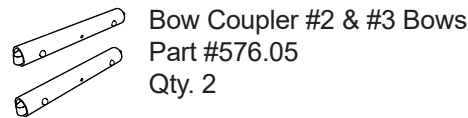
Bow Stack - Driver Side
Part #579.43P
Qty.1



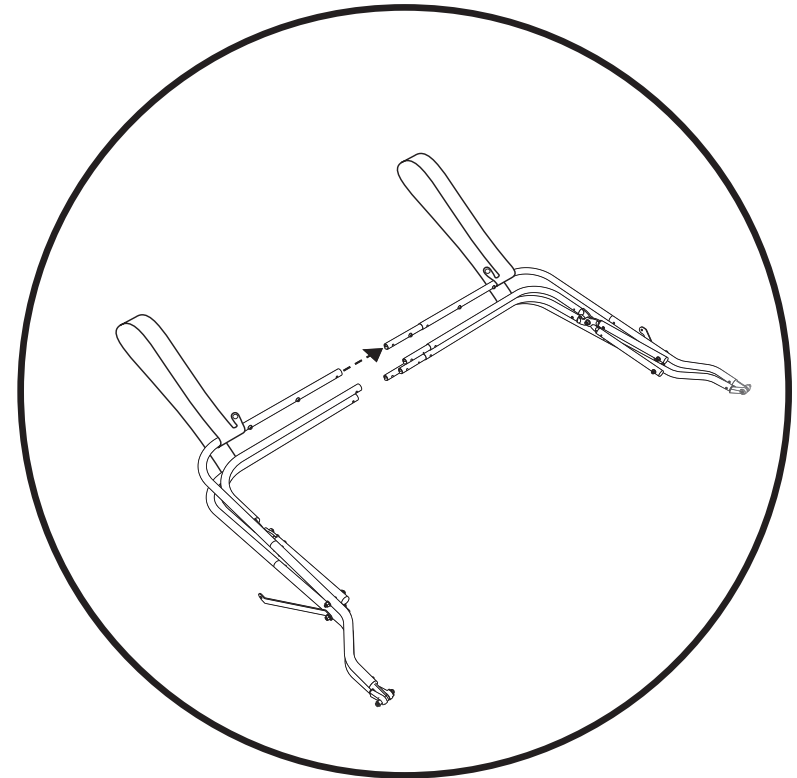
Bow Stack - Passenger Side
Part #579.42P
Qty.1



Bow Coupler #1 & #4 Bows
Part #576.04
Qty. 2



Bow Coupler #2 & #3 Bows
Part #576.05
Qty. 2

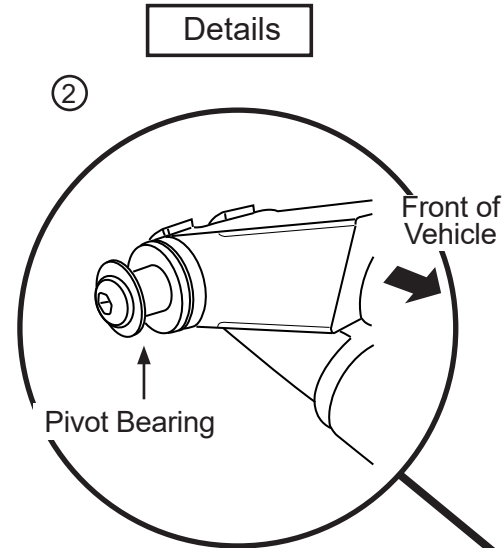
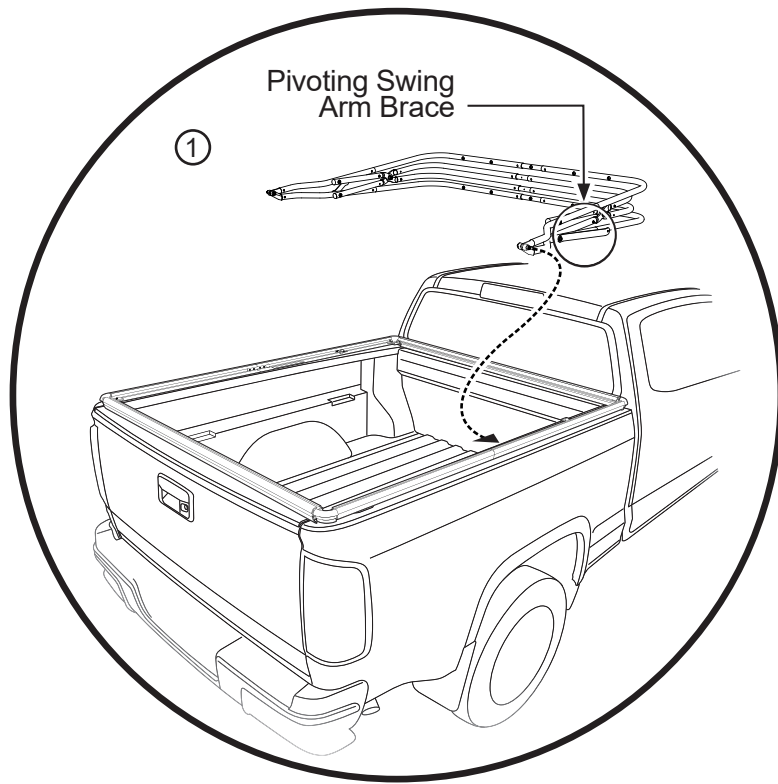


Attach Driver Side Bow Stack to Passenger Side Bow Stack.

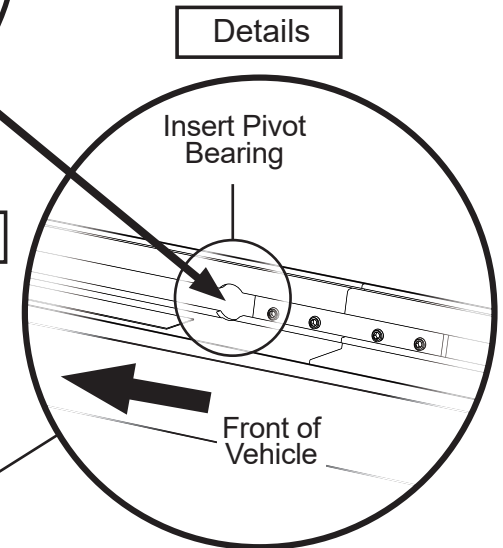
Bow Stacks attach using the Couplers installed in Step 1.

Slide the Couplers installed in the Passenger Side Bow Stack into the ends of the bows on the Drivers Side Bow Stack.

Note: Before attaching couplers to bowstacks, make sure to pull the bond coat straps out and away from the bows, and lay them flat.



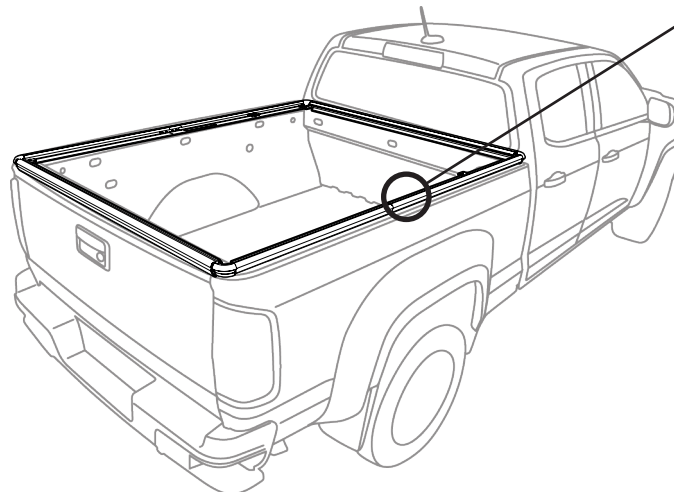
Passenger Side Shown



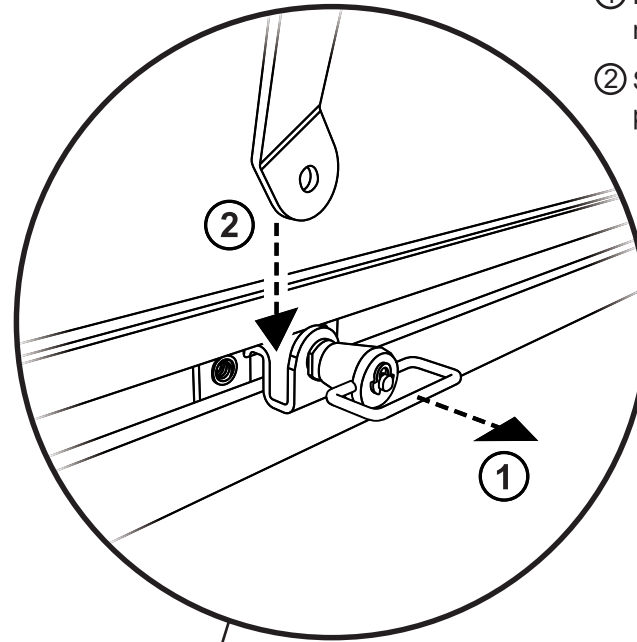
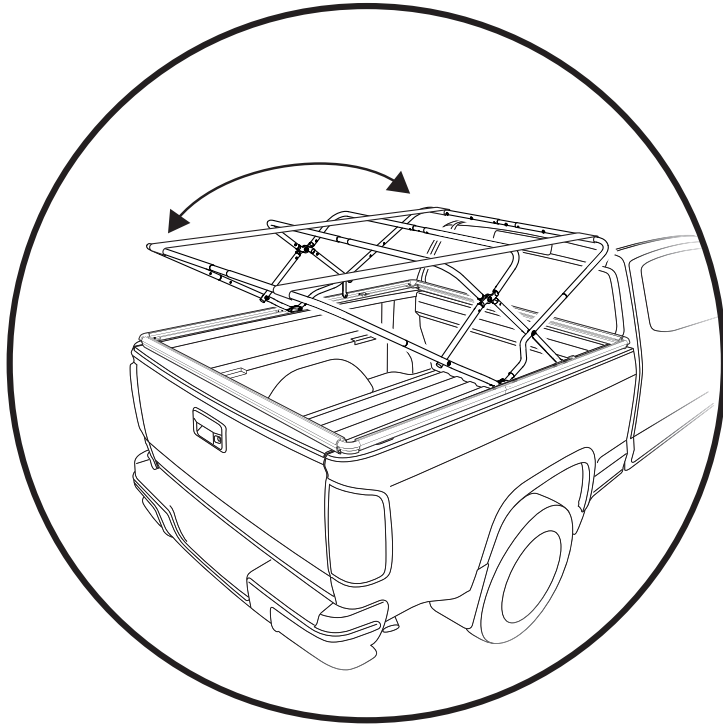
Note: Two People Are Required for this Part of the Installation.

- ① Place the folded Bow Assembly on the Side Rails. Make sure that the pivot swing arm braces are on the lowest bow.
- ② Insert the Pivot Bearings into the receiving holes in the inside of the side rails See Details.

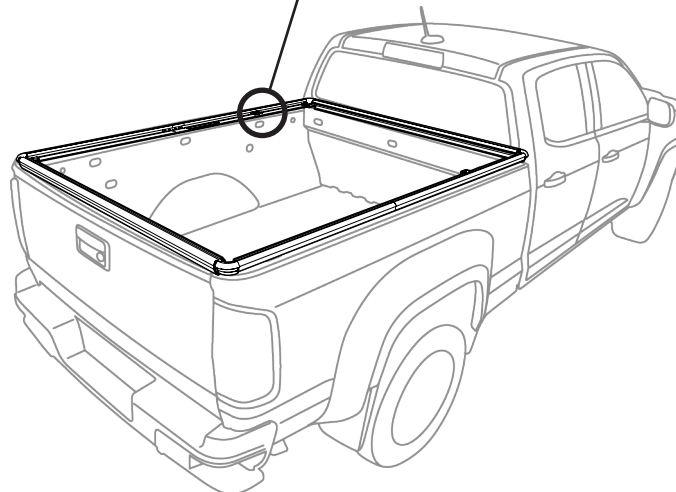
Repeat on left side of vehicle.

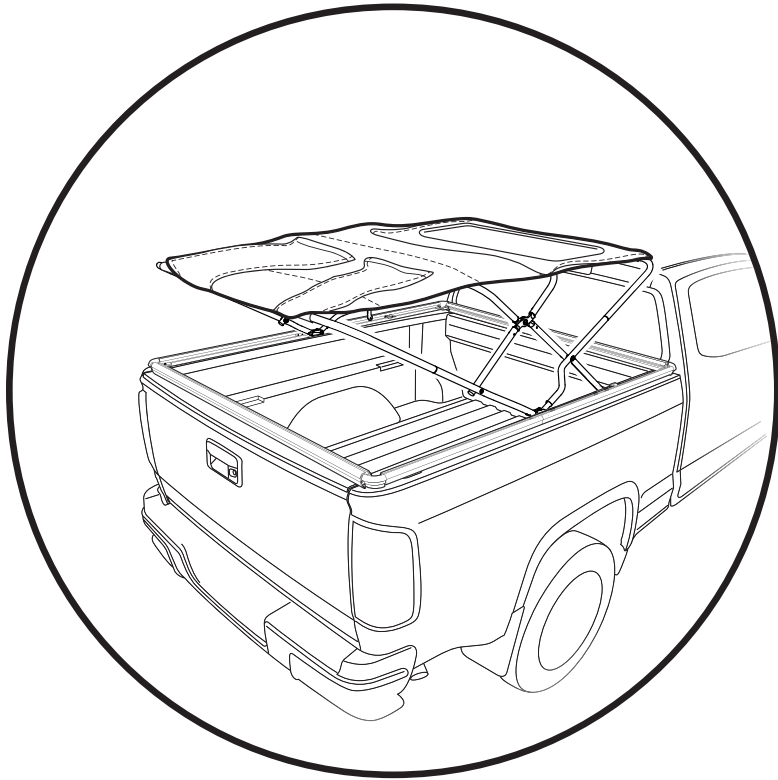


Unfold the Bow Assembly.



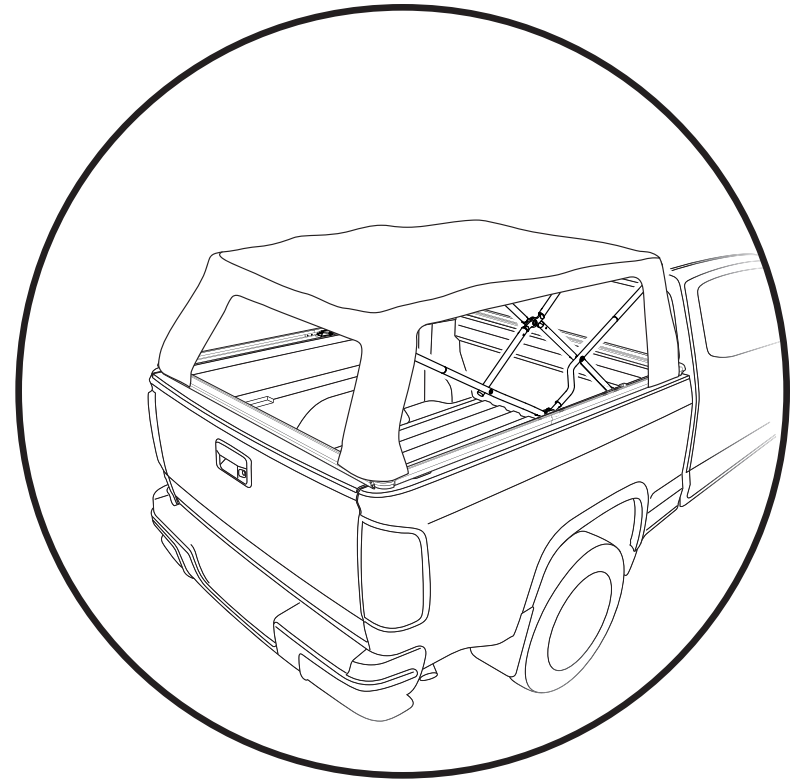
- ① Pull back on the Pivot Knuckle release knob;
- ② Snap the Pivot Arm Brace into place, on both sides of the truck.



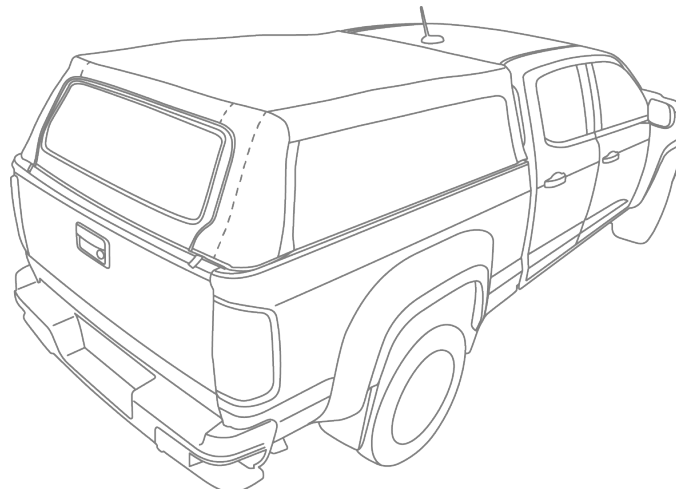


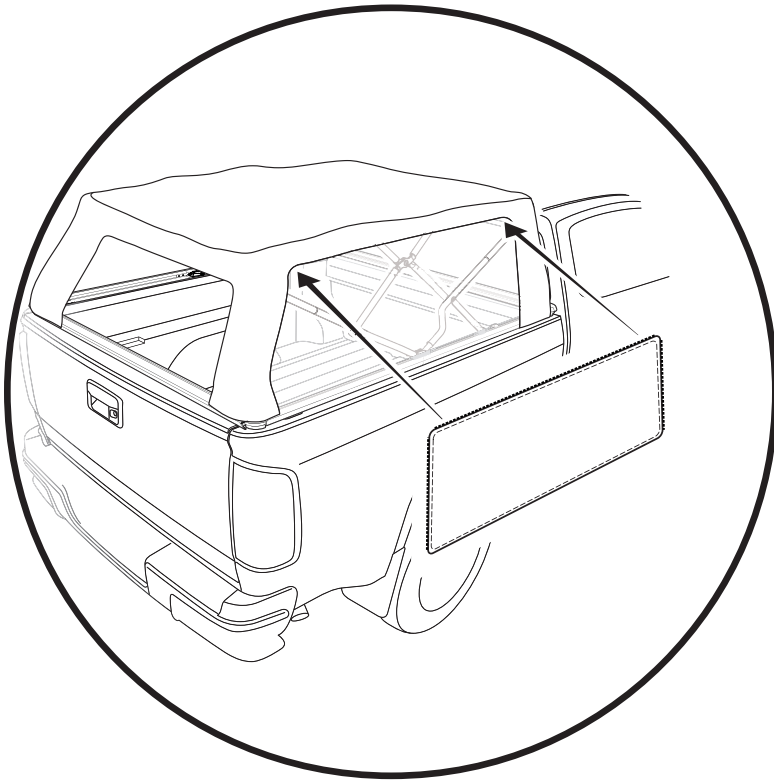
Place the folded Soft Top onto the unfolded Bow Assembly.

Note: Window should go towards the front of the Bow Assembly.



Unfold the front and back of the Top over the #1 and #4 Bows.



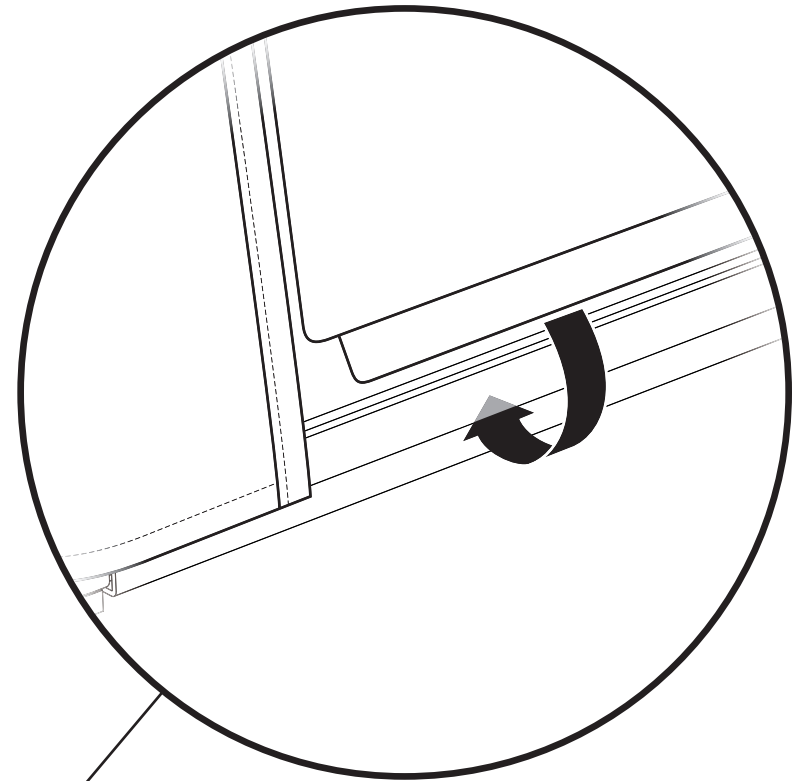


For easier access to the zippers, you may want to lift the corners of the top onto the roof fabric.

Zip the Rear Window and Side Curtains into place.

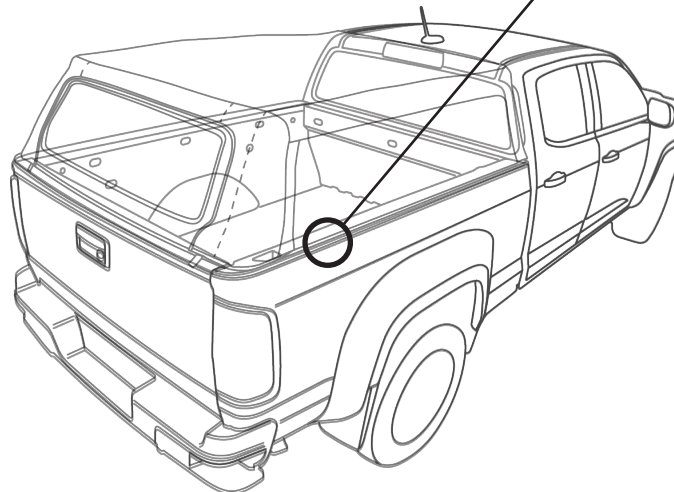
Start with the zipper along the top edge of each panel, and then follow with the side zippers. For ease of installation, start each zipper only about 6".

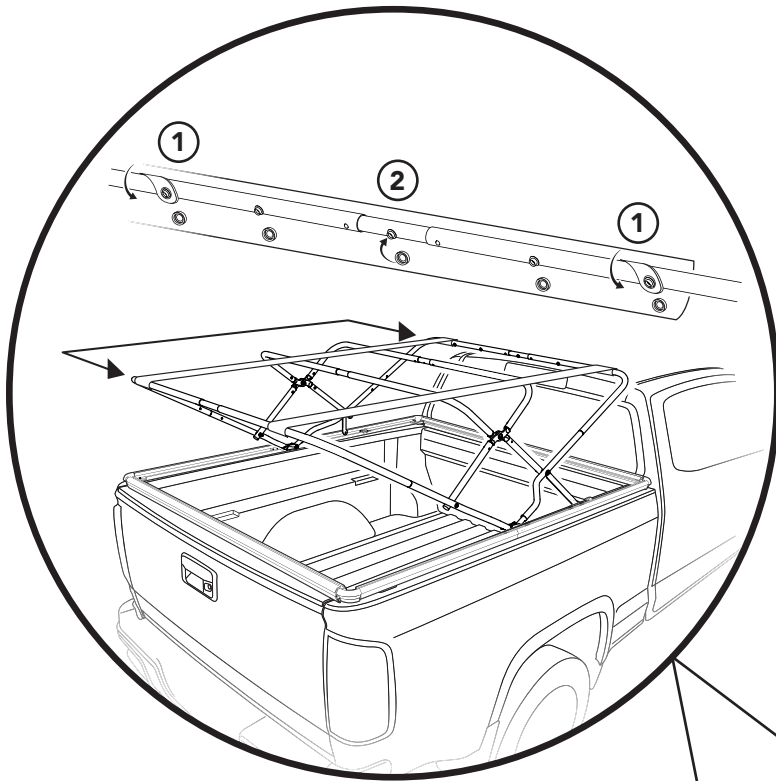
Once all zippers are started, flip the rear corners into the rail, then zip all zippers completely shut.



Tuck the plastic tab along the bottom edge of each Side Curtain into the slot along the side of each Side Rail.

Tuck the plastic tab along the bottom of the Rear Window into the slot along the side of the Rear Rail.





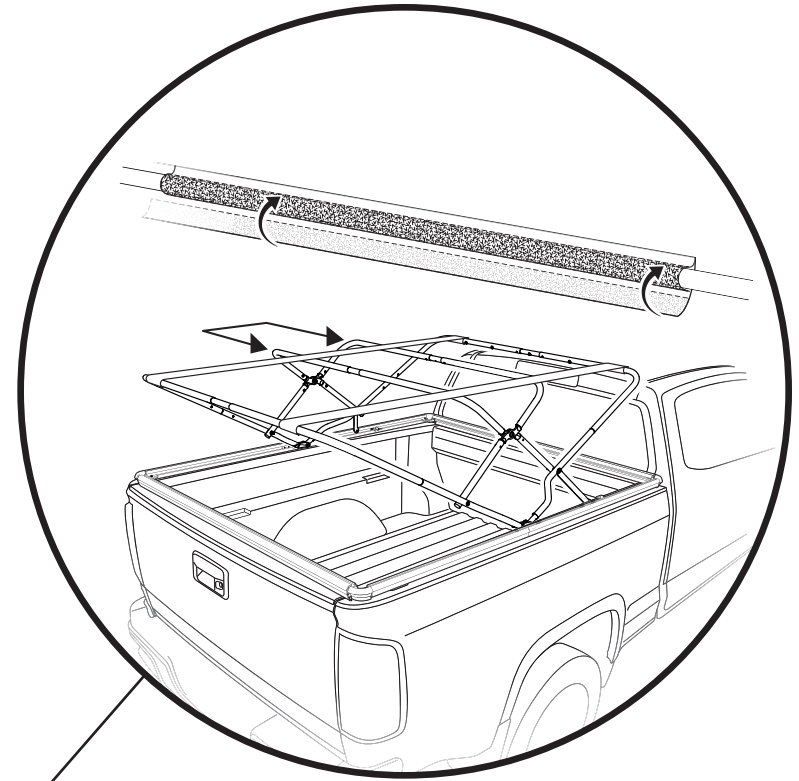
From inside the truck bed:

① Wrap the small flaps with holes over the outer-most snaps on the #1 bow (Bow closest to the truck cab).

② Wrap the fabric flap around the #1 Bow and snap all five snaps to secure the fabric to the Bow.

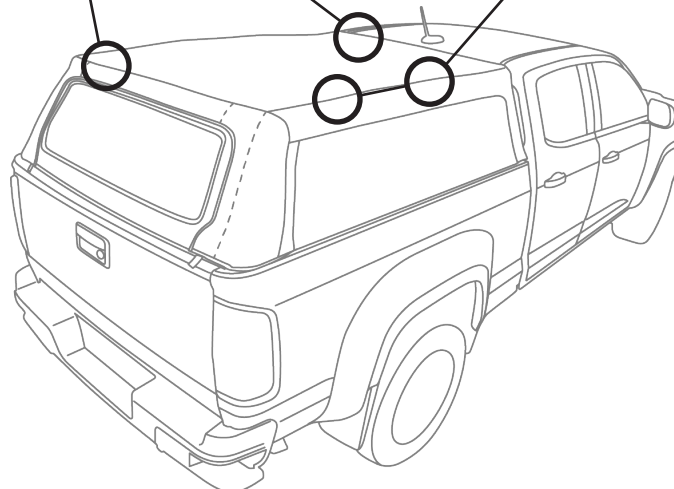
NOTE: Secure the outer snaps before securing the center snaps.

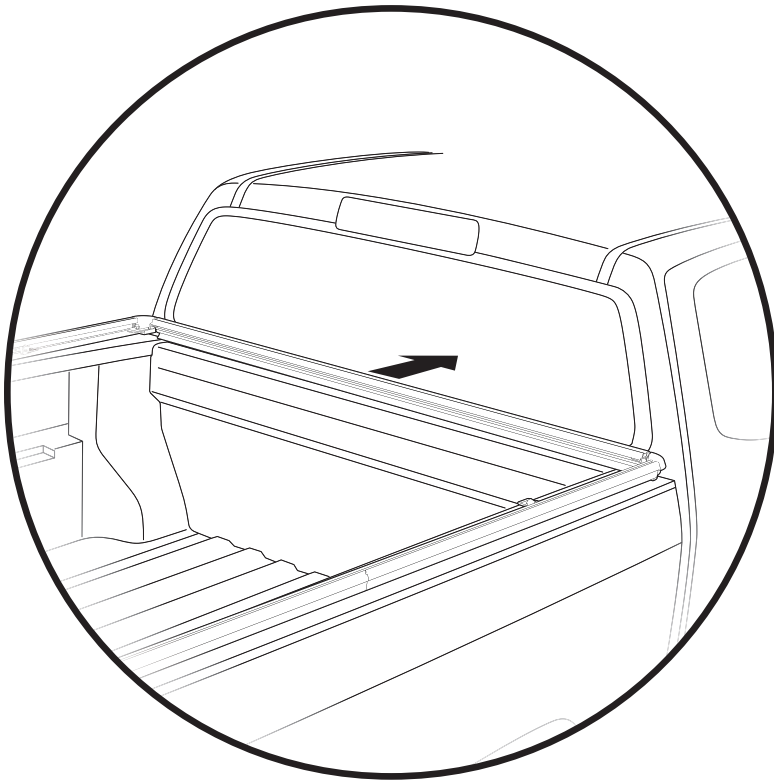
Repeat for the #4 Bow (Bow closest to the truck tailgate).



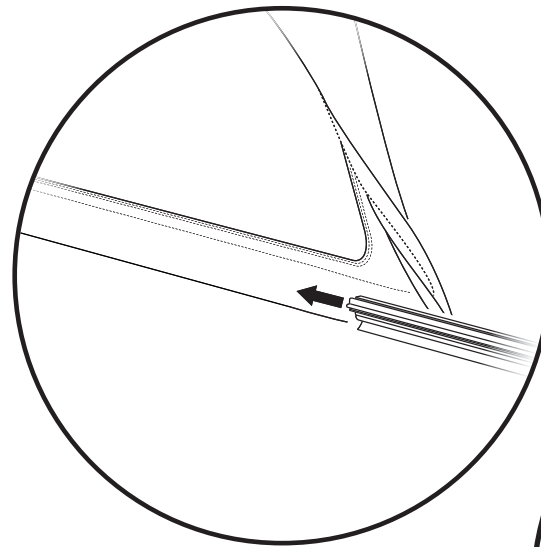
From inside the truck bed:

Wrap the fabric flaps with hook-and-loop around the #2 and #3 bows (the two middle bows) to secure the top fabric to these Bows.

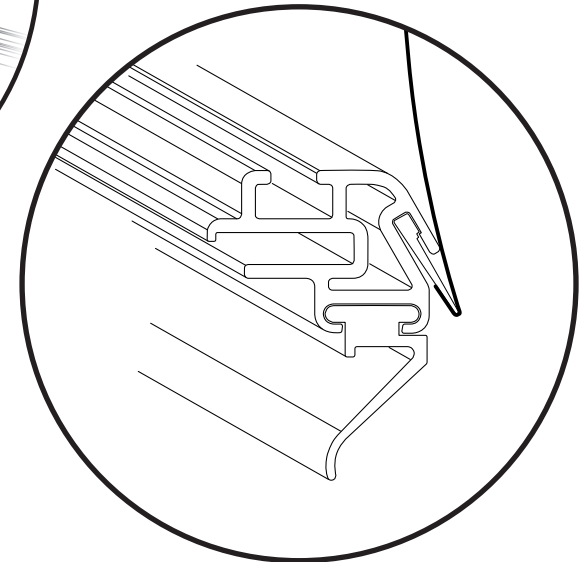




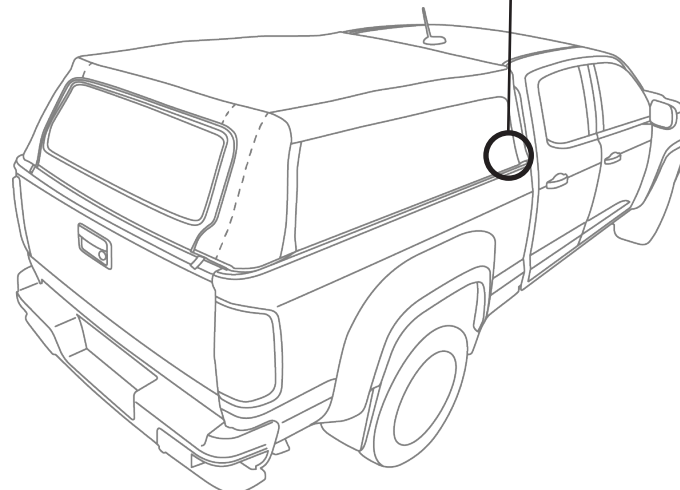
Remove the front rail, by sliding it toward the front of the truck bed.

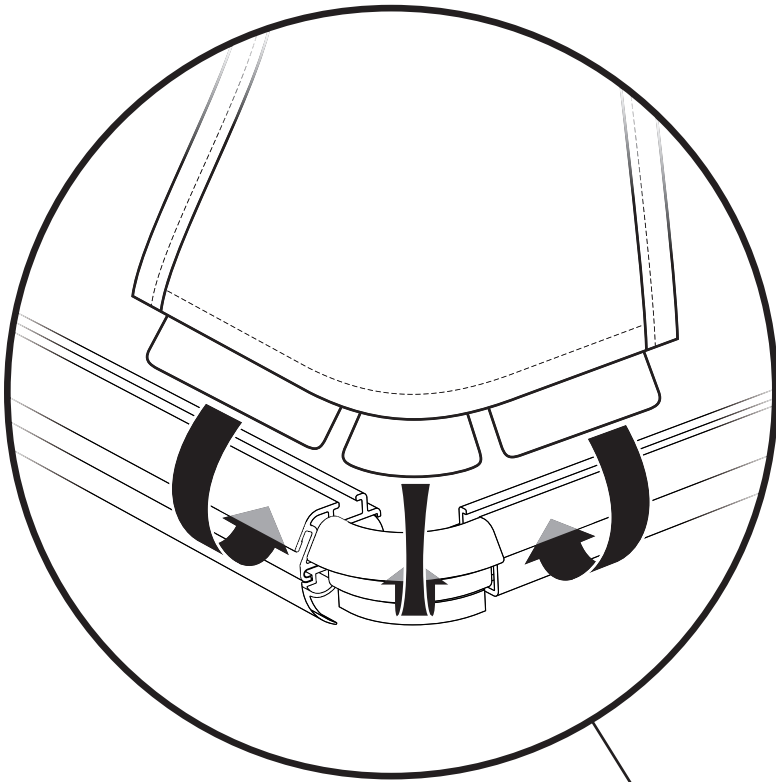


Detail

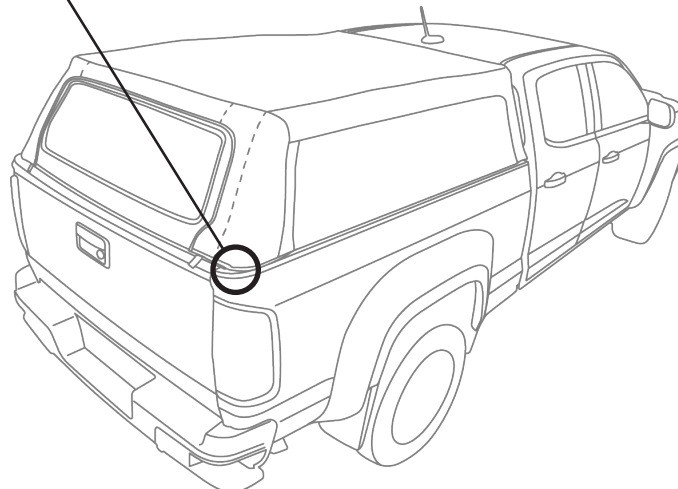


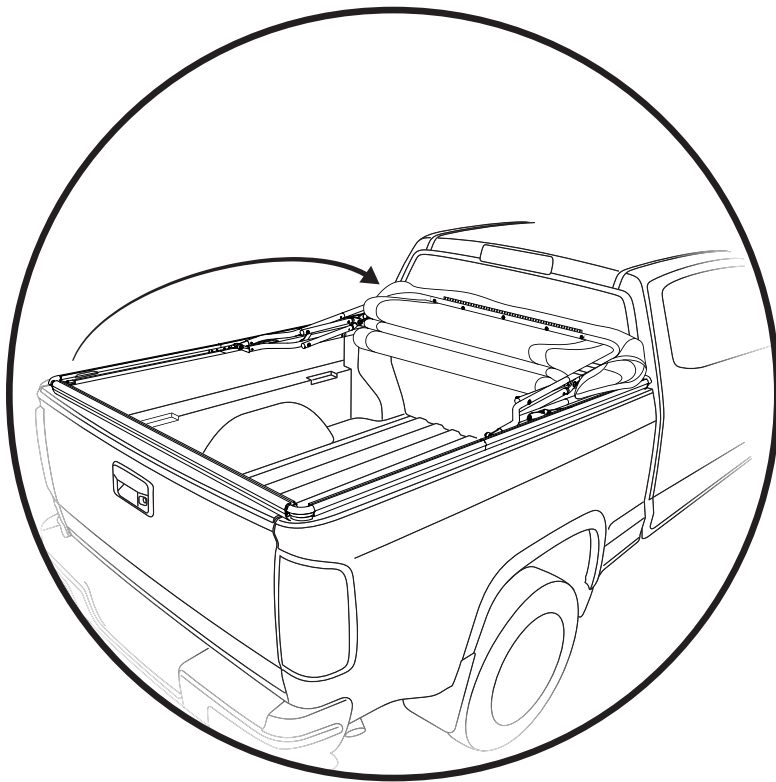
Slide the front rail onto the plastic retainer at the bottom of the front window. The rail should go under the large flap. See Detail.



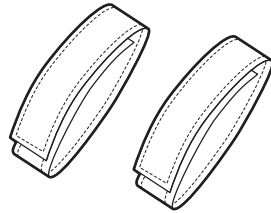


Tuck the plastic tabs at the bottom of each corner of the top into the slots in the Side Rails and Front and Rear Rails.

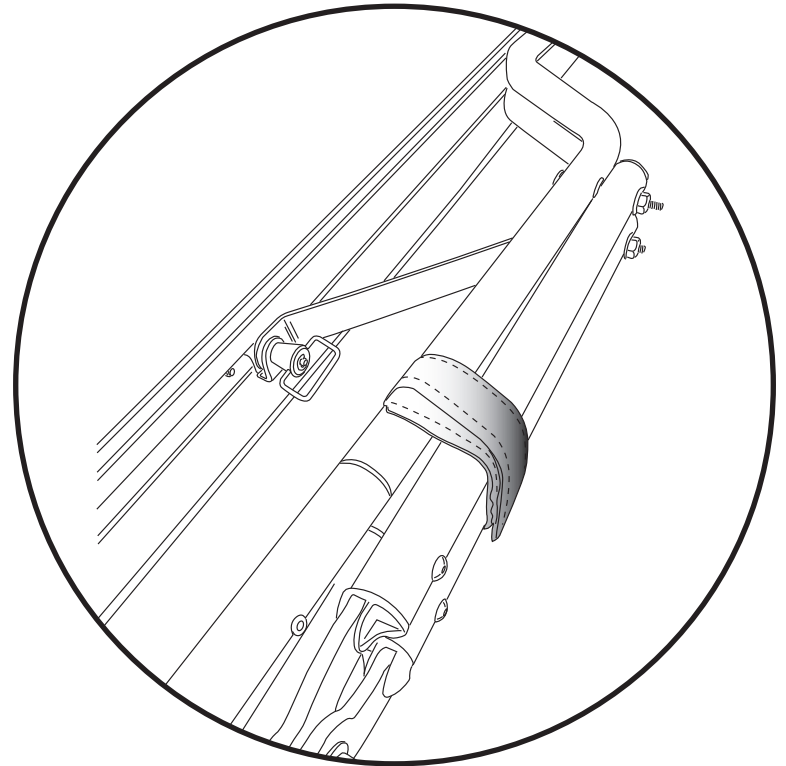




Parts



Tie Down Strap
Part #410.42
Qty. 2



To open the top:

Unzip and remove Side Curtains.

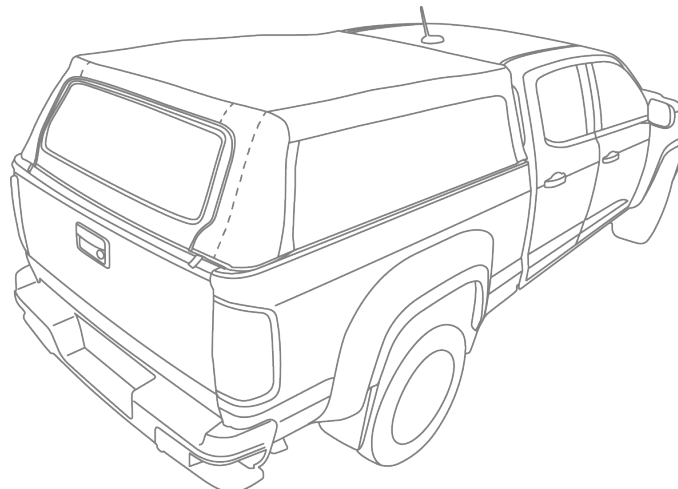
Unzip and remove Rear Window.

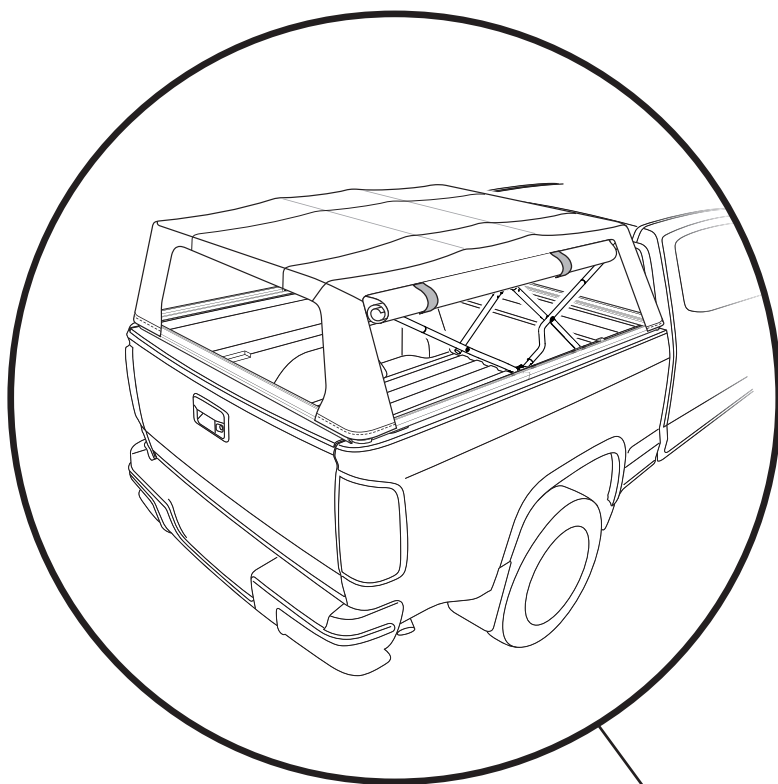
Release plastic tabs from rails all around.

Flip rear corners of top fabric up onto roof.

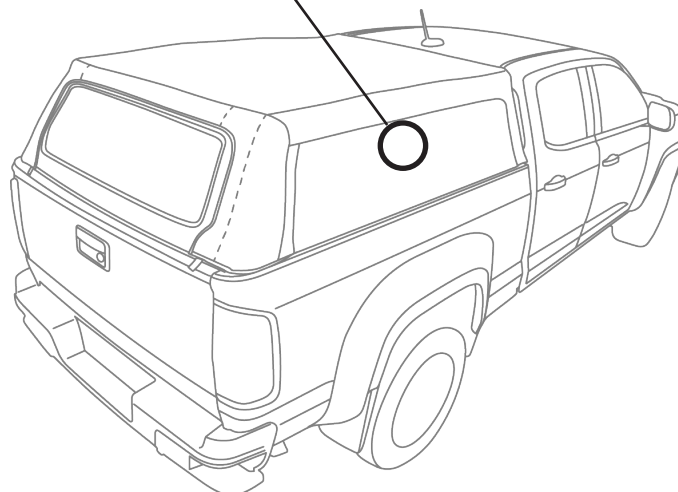
Fold the top forward so that all the bows collapse and rest on the Front Rail.

After the top is laid down, Wrap the Tie Down Straps (1per side) around the bow stack.





With the Fabric Top up, the Side Curtains can be rolled up and secured with Roll Up Straps.



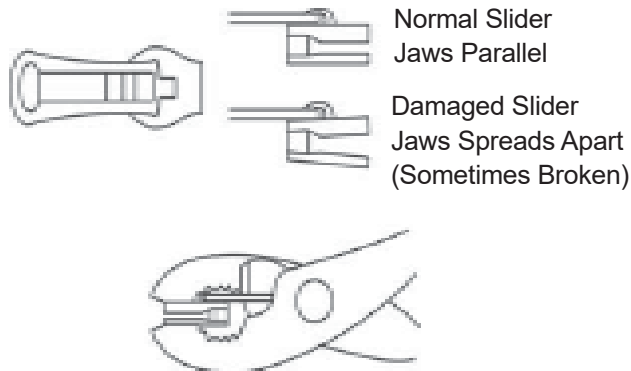
Your Bestop product is made of the finest materials available. To keep it looking new and for the maximum possible wear, it will need periodic cleaning and maintenance.

Fabric: The fabric should be washed often using soap, warm water and a soft bristle brush. Rinse with clear water to remove all traces of soap. Bestop recommends using Bestop Cleaner (part no. 11201-00) and Bestop Protectant (part no. 11202-00). Bestop Cleaner and Bestop protectant are specially formulated to provide a total cleaning and protection system. Bestop Cleaner safely removes the toughest stains, will not harm vehicle finishes, is biodegradable and environmentally friendly. Bestop Protectant protects against UV-fading, cracking and hardening, and repels dust, grease, dirt and mildew.

Windows: Keep windows clean to avoid scratching. DO NOT use a brush on the windows! Wash with a water-soaked cloth or sponge and a mild dishwashing detergent. Bestop recommends Bestop Vinyl Window Cleaner (part no. 11203-00), which safely cleans and protects vinyl windows and helps prevent UV damage. NEVER WIPE THE WINDOWS WHEN THEY ARE DRY. Be careful when cleaning snow or frost from the vinyl windows since they are easily scratched and may crack at low temperatures. DO NOT roll the sides or rear window in cold weather. The windows become stiff and will crack. Cracks caused by misuse in cold temperatures are not covered under warranty.

Water: Seeping through at the seams may be stopped by applying 3-M Scotchgard® on the inside of the seams. Rips in the fabric may be repaired with Bondex® iron on patches. Iron the patches to the inside of the top, carefully following the Bondex® instructions.

Zippers: Keeping zippers cleaned and lubricated with Bestop's Zipper Cleaner (part no. 11206-00) will help prevent damage and keep the zippers in smooth working condition. If a zipper opens behind the slider, the slider may have been spread apart. This problem can usually be repaired by using an ordinary pair of pliers to bring the sides back into parallel. Return slider to the end of the zipper in the normal Open position. Squeeze lightly at first and test the zipper. If the zipper continues to remain open squeeze more firmly with the pliers and try the zipper again. Repeat this procedure until the zipper operates correctly.





Warranty Information Supertop for Trucks

Vehicle Application:
Toyota Tacoma 2005-Current 6'
Part Number 77301

WHAT BESTOP WARRANTS

Subject to the terms and conditions of sale, including any terms and conditions set forth by Bestop, Inc. ("Bestop" or "us" or "we") in our then-current terms of sale on our website (collectively, the "Terms"), Bestop represents and warrants that: the covered products listed in the "Covered Products and Warranty Periods" section (a "Product") will substantially be free from defects in materials and workmanship for the specified warranty periods set forth in that section.

THE WARRANTY IS LIMITED AND CONDITIONAL

This warranty applies to the original purchaser of the Product only. The warranty is valid only as long as the original retail purchaser owns the vehicle upon which the Product is installed. The warranty expires should the Product be removed from the original vehicle or if the original vehicle is transferred to another owner. This warranty is not transferable or assignable. The warranty does not apply to Product bought from auction-style or price-bid websites.

THE LIMITED WARRANTY AND STATED REMEDIES ARE SOLE AND EXCLUSIVE AND IN LIEU OF ALL OTHER WARRANTIES AND REMEDIES, AND COMPANY EXPRESSLY DISCLAIMS ALL IMPLIED OR STATUTORY OR OTHER WARRANTIES, INCLUDING WITHOUT LIMITATIONS WARRANTIES OF MERCHANTABILITY, NON-INFRINGEMENT OR FITNESS FOR A PARTICULAR PURPOSE. IN NO EVENT WILL COMPANY BE LIABLE FOR ANY SPECIAL, INCIDENTAL, CONSEQUENTIAL, PUNITIVE, INDIRECT OR EXEMPLARY DAMAGES OF ANY KIND, INCLUDING LOST PROFITS OR REVENUE, HOWEVER CAUSED, WHETHER FOR BREACH OR REPUDIATION OF CONTRACT, TORT, BREACH OF WARRANTY, NEGLIGENCE, OR OTHERWISE, WHETHER OR NOT COMPANY WAS ADVISED OF THE POSSIBILITY OF SUCH LOSS OR DAMAGES.

Some states do not allow exclusion or limitation, so this may not apply to you. This warranty gives you specific legal rights, and you may have other rights which vary from state to state.

EXCLUSIONS TO THE WARRANTY

The Limited Warranty excludes, and Bestop is not liable in any way for any warranty claims, damages, or defects related to:

- Misuse, abuse, accidents, vandalism, negligence, fire, or improper installation or modification, or improper or inadequate maintenance;
- Failure to comply with any Product documentation, Bestop instructions, or applicable law or regulations; use in extreme conditions
- Force Majeure including but not limited to, earthquake, hurricane, tornado, flooding, or other disasters natural or man-made, civil unrest, strikes, declared or undeclared war, or lack of performance by, or discontinued product of, supply chain partners whose products, software, operations or management is beyond the control of Bestop;
- Damage resulting in breakage (including without limitation, spontaneous breakage, accidental breakage or breakage by any other means) of a Product or any component part;
- Damage to vinyl windows due to misuse, or cracking due to varying weather conditions.

YOUR SOLE REMEDY

During the applicable warranty period, Bestop shall, at its option, either repair or replace any Product that it confirms, in its discretion, is non-compliant with the warranties herein. Bestop will not pay for labor charges associated with installation or removal of the Product. Should a specific Product be discontinued, Bestop may, at its option, replace the discontinued Product with a current product or like product.

Please retain your proof of purchase. Original proof of purchase for the Product must accompany any warranty claim. If you have a warranty claim, first you must email Bestop Customer Service at csbestop@bestop.com for instructions. All claims must be emailed to csbestop@bestop.com within 30 days of discovery of a defective Product, but in no event later than thirty days after the end of the applicable Warranty Period (the "Warranty Notice Period"). Warranty claims made after the Warranty Notice Period are null and void and Bestop shall have no responsibility with respect to such claims.

THIS SECTION SETS FORTH BESTOP'S SOLE OBLIGATION & YOUR SOLE REMEDY WITH RESPECT TO ANY DEFECTS OR OTHER PRODUCT ISSUE. ANY PRODUCTS REPLACED UNDER TERMS OF THIS WARRANTY WILL BE COVERED UNDER TERMS & BALANCE OF THE DURATION OF THE ORIGINAL LIMITED WARRANTY FOR SUCH PRODUCT.



Warranty Information Supertop for Trucks

Vehicle Application:
Toyota Tacoma 2005-Current 6'
Part Number 77301

COVERED PRODUCTS AND WARRANTY PERIODS: The warranty time periods are as follows for Products manufactured by Bestop:

BESTOP® LIMITED LIFETIME WARRANTY

Trektop® Pro Twill Fabric Top Sunrider® for Hardtop Twill Fabric Top
Trektop® NX Glide Twill Fabric Top Replace-a-Top™ Twill Fabric Top
Trektop® NX Twill Fabric Top Supertop® NX Twill Fabric Top
EZFold™ Soft Tonneaus Floor & Cargo Liners
ZipRail™ Soft Tonneaus Pet Barriers
EZRoll™ Soft Tonneaus

BESTOP® 5-YEAR LIMITED WARRANTY

Trektop® NX Glide™ Top (non-Twill) Sunrider® for Hardtop (non-Twill) Replace-a-Top™ Top (non-Twill) Trektop® NX Top (non-Twill)
Sailcloth Replace-a-Top™ Supertop® NX Top (non-Twill)
Tigertop™ and Halftop™ Supertop® Classic Soft Top Sunrider® Complete Soft Top Supertop® for Truck
EZ Fold Hard Tonneau

BESTOP® 3-YEAR/100K MILES LIMITED WARRANTY

Powerboard® & Powerboard® NX
Trekstep®, Side Mount
Trekstep®, Rear Mount

BESTOP® 3-YEAR LIMITED WARRANTY

Pavement Ends Sprint Top

BESTOP® 2-YEAR LIMITED WARRANTY

Trektop® Classic Soft Top
RoughRider™ Soft Storage

BESTOP® 1-YEAR LIMITED WARRANTY

All other Bestop® & Pavement Ends™ products not specified above.

For further information or request for warranty work, please contact:

Bestop Inc. Customer Service
Toll-Free: (800)845-3567
E-mail: customerservice@Bestop.com
Website: www.Bestop.com

This product may be covered by 1 or more patents or pending applications, information can be found at www.bestop.com/patents