



Installation Instructions Trektop Halftop Kit

Vehicle Application:
Jeep® Wrangler JL 2018-2023
Part Number 80101

Installation Tips

Before you begin installing your new Trektop Halftop Kit, please read all the instructions thoroughly.

! WARNING Do not rely in any way on the components of this product to protect against injury or death in the event of an accident. Never operate the vehicle in excess of manufacturer's specifications.

Read and follow, precisely, all installation instructions provided when installing this product. Failure to do so may result in a poor fit and could place occupants of the vehicle in a potentially dangerous situation.

For easier installation, the top should be installed at a temperature above 72° F. Below this temperature, the fabric may contract making it difficult to fit the vehicle.

! CAUTION Safety glasses should be worn at all times when installing this product.



WEAR SEAT BELTS AT ALL TIMES

Tools



Safety Glasses



4mm and 5mm Hex Key



10mm Wrench

Installation Time

1 00 1 Hour

Skill Level

1 **2** 3 4

2 - Moderatly Easy

Support

We're here to help! Go to:
<https://www.bestop.com>
and click on Need Help?



<https://www.bestop.com/video-library>



Installation Instructions Trektop Halftop Kit

Vehicle Application:
Jeep® Wrangler JL 2018-2023
Part Number 80101

Sugerencias de Instalación

Antes de empezar a instalar esta unidad, lea atentamente todas las instrucciones.

Para un buen ajuste:

Para facilitar la instalación, el producto debe instalarse a temperaturas superiores a 72 °F (22 °C).

Por debajo de esta temperatura, la tela puede encogerse una pulgada o más, lo que dificultaría su ajuste al vehículo.

Es normal que la tela se contraiga o arrugue cuando está guardada en la caja de empaque. A los pocos días después de la instalación, la tela se relajará y las arrugas desaparecerán.



ADVERTENCIA

Este producto se diseñó principalmente para mejorar la apariencia del vehículo y proteger a los ocupantes de las condiciones climáticas comunes. De ninguna manera piense que los componentes de este producto pueden servir como medio de contención para los ocupantes del vehículo o que pueden protegerlos contra lesiones o la muerte en caso de accidente. Este producto no protegerá a los ocupantes contra caídas de objetos. Nunca conduzca este vehículo fuera de las especificaciones del fabricante.

USE LOS CINTURONES DE SEGURIDAD EN TODO MOMENTO

Lea y siga con precisión todas las instrucciones de instalación que se proporcionan para instalar este producto. Si no lo hace, podría producirse un mal ajuste que colocaría a los ocupantes del vehículo en una situación potencialmente peligrosa.



PRECAUCIÓN

Debe usar gafas protectoras en todo momento durante la instalación de este producto.

Conseils pour l'installation

Lire toutes les instructions au complet avant de commencer l'installation de cet assemblage.

Pour un ajustement sans problème :

Afin de faciliter l'installation, ce produit doit être installé à des températures au-dessus de 72 °F (22 °C).

Sous cette température, le tissu peut rétrécir d'un pouce (2,5 cm) ou plus, ce qui rendra l'ajustement sur le véhicule difficile.

Il est normal que le tissu rétrécisse et plisse pendant qu'il est dans la boîte d'expédition. En quelques jours après l'installation, le tissu se détendra et les plis disparaîtront.



AVERTISSEMENT

Ce produit est conçu principalement pour améliorer l'apparence du véhicule et pour protéger les occupants des conditions météorologiques usuelles. Ne jamais se fier aux composants de ce produit pour se protéger de blessures ou de la mort en cas d'accident. Ce produit ne protégera pas les occupants des chutes d'objets. Ne jamais utiliser le véhicule au-delà des caractéristiques techniques indiquées par le fabricant.

PORTER UNE CEINTURE DE SÉCURITÉ EN TOUT TEMPS

Lire et suivre, très fidèlement, toutes les instructions d'installation fournies lors de l'installation de ce produit. Ne pas suivre cette consigne peut causer une installation inadéquate et mettre les occupants du véhicule dans une situation potentiellement dangereuse.



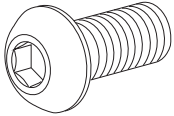
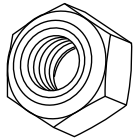



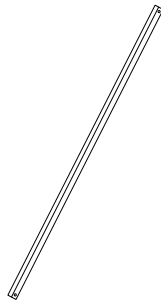
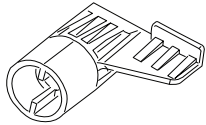
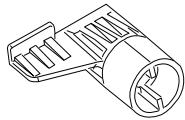
MISE EN GARDE

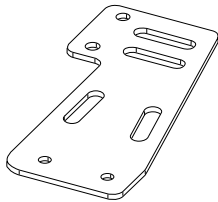
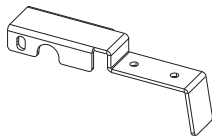
Des lunettes de sécurité doivent être portées en tout temps lors de l'installation de ce produit.

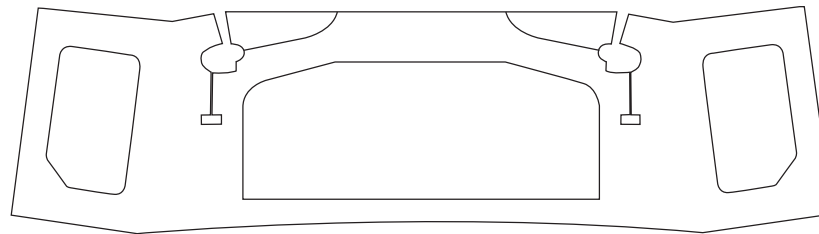


Installation Instructions Trektop Halftop Kit

Vehicle Application:
Jeep® Wrangler JL 2018-2023
Part Number 80101

 <p>Button Head Screw M6X1X14 Part #517.63 Qty. 6</p>	 <p>Nut, M6X1 Lock Blk Part #515.82 Qty. 6</p>	 <p>Washer, Flat M6 Part #515.81 Qty. 4</p>	 <p>Bow D Pillar Part #610.90 Qty. 2</p>	 <p>Aluminum Bow Part # 609.30 Qty. 1</p>	 <p>Windjammer retainer Part #614.46 Qty. 1</p>	 <p>Plastic End Cap (Left) Part # 593.71 Qty. 1</p>	 <p>Plastic End Cap (Right) Part # 592.66 Qty. 1</p>
--	---	--	---	--	--	--	---

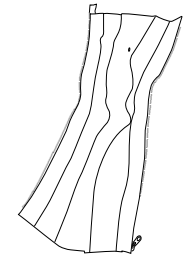
 <p>Lower Bracket M6X1X14 Part #610.75 Qty. 2</p>	 <p>Upper Bracket Part #610.76 Qty. 2</p>
---	---



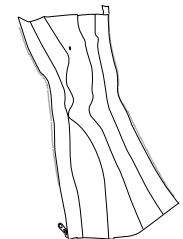
Windjammer Assembly



Duster Assembly

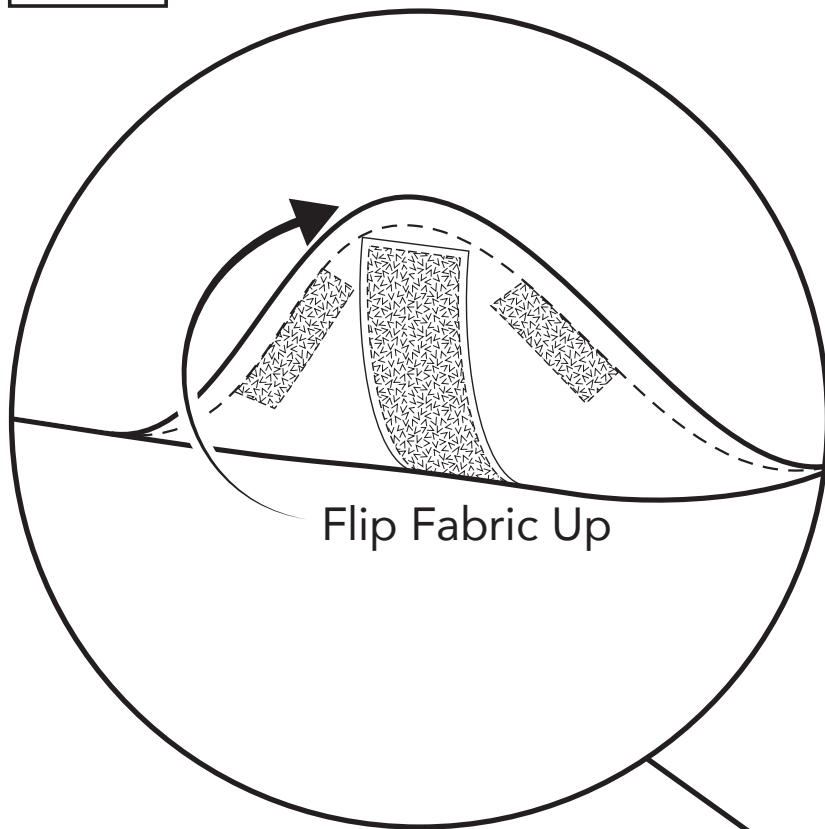


Sportbar Sleeve Left

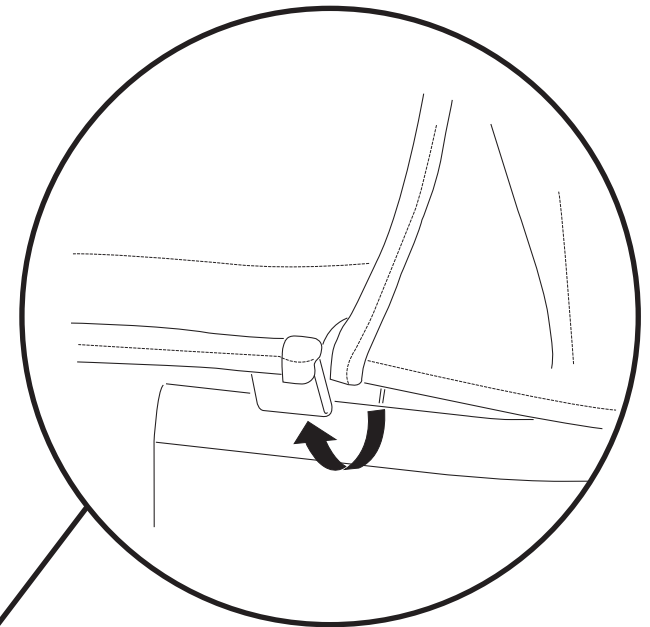


Sportbar Sleeve Right

Step 1



Step 2

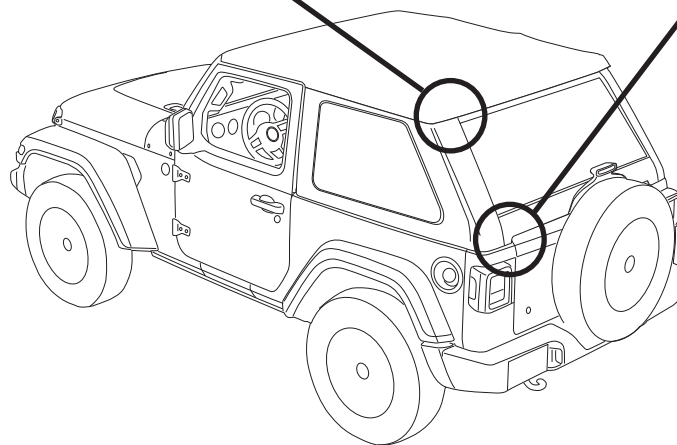


Step 1

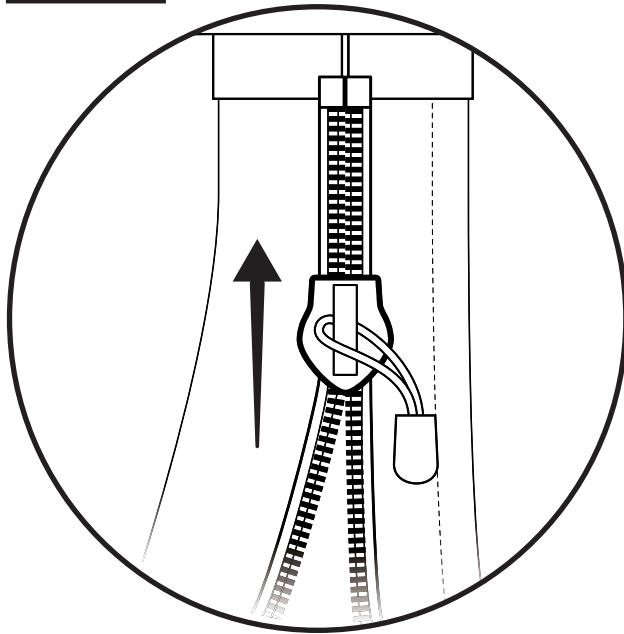
Fold back the rear corners of the top then open the tailgate.

Step 2

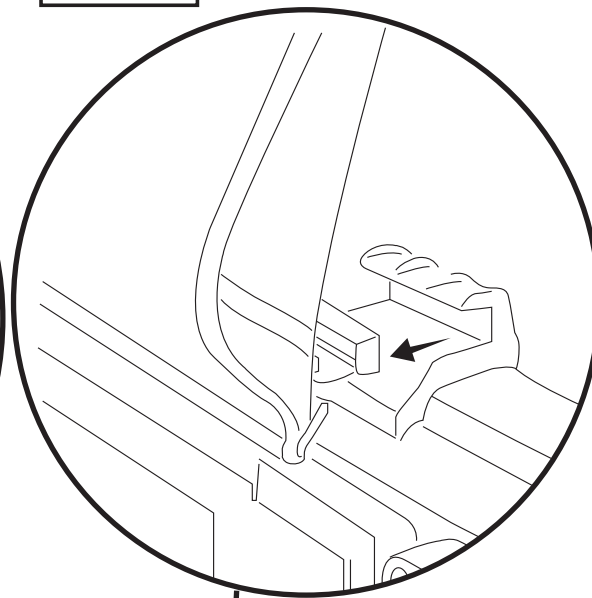
Pull the plastic retainer (Sewn to the lower corner of the Rear Window) out of the Tailgate Clip. Repeat this on the left side of the window.



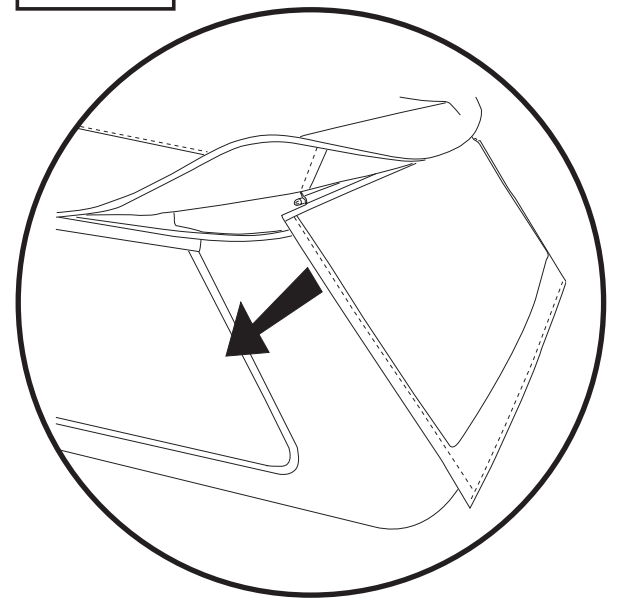
Step 1



Step 2



Step 3



Step 1

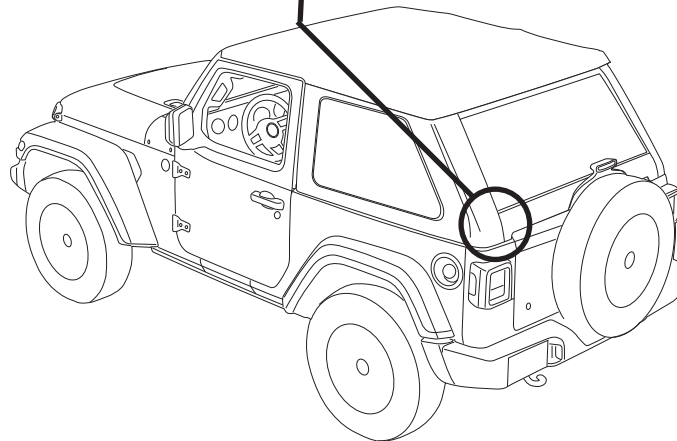
Un-zip both sides of the rear window.

Step 2

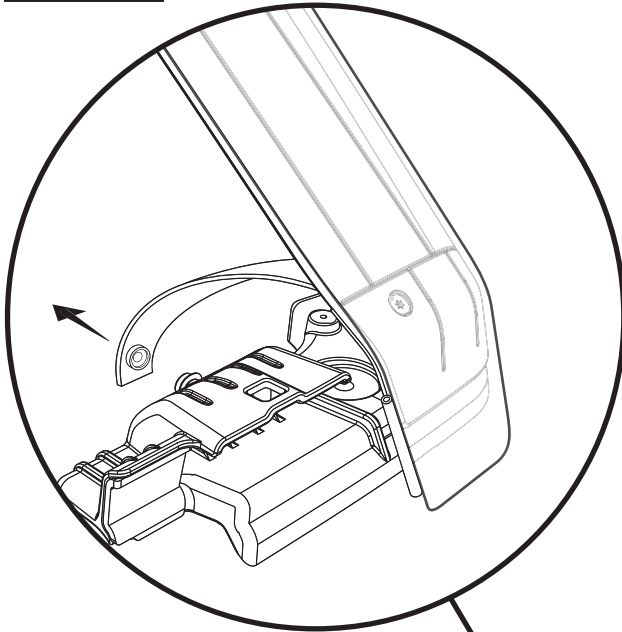
With Tailgate open, Pull the Tailgate bar from the Tailgate Clips on both sides.

Step 3

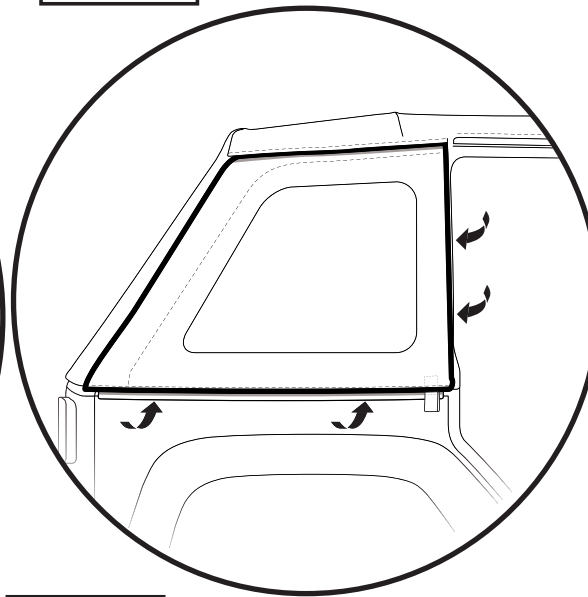
Slide the top of the window to the left to remove it from the vehicle.



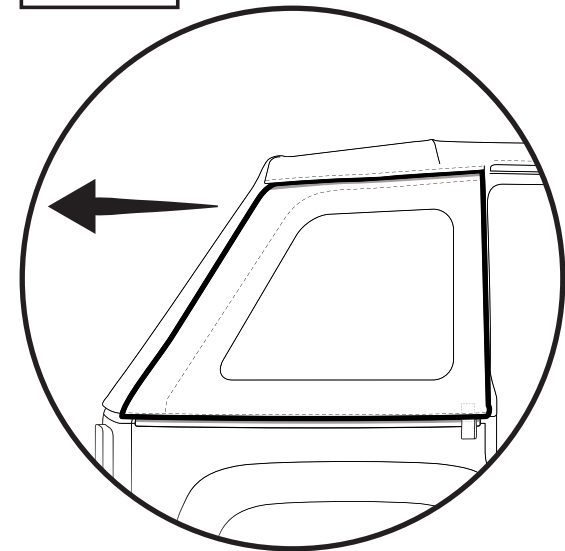
Step 1



Step 2



Step 3



Step 2

Remove the plastic retainers located along the bottom and front edge of the Side Panel from the body of the vehicle.

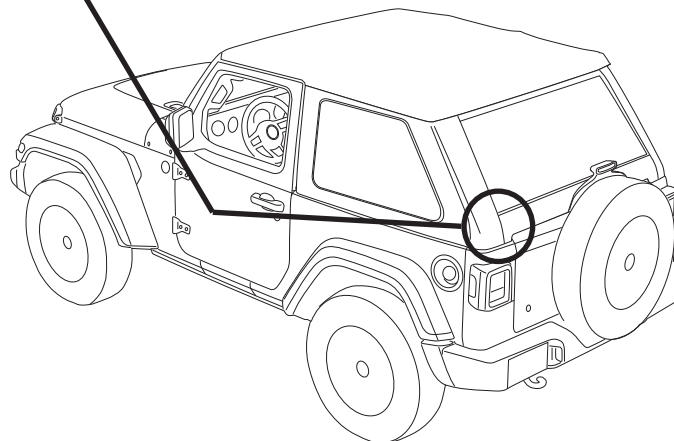
Step 3

Slide the top of the window to the rear to remove it from the vehicle.

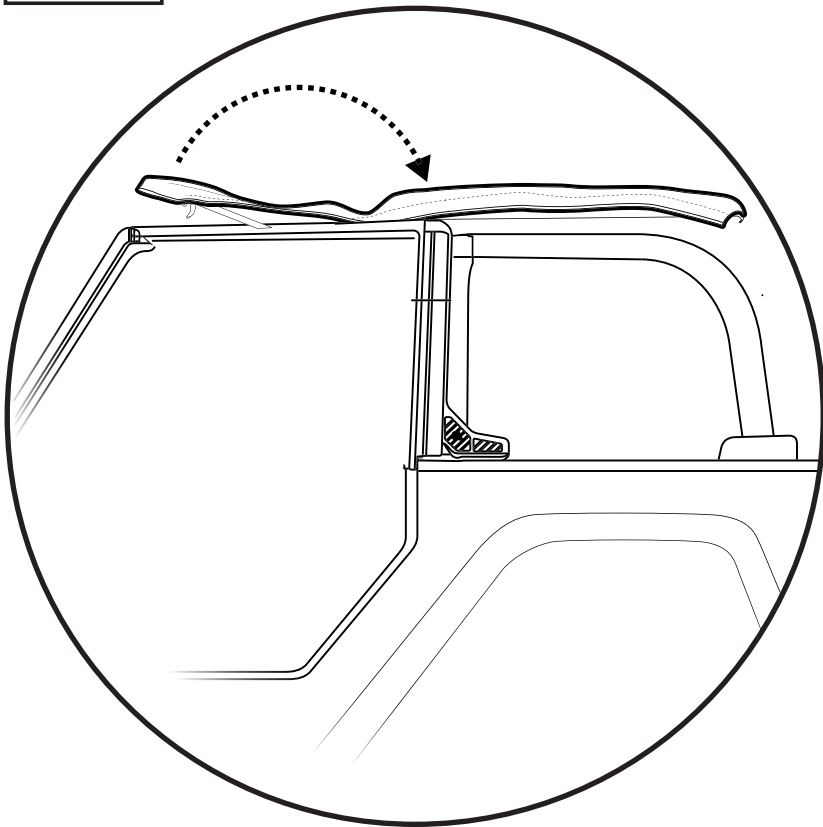
Step 1

Unsnap the strap that connects the side panel to the Tailgate Bar Retainer. Repeat this step on the left side of the vehicle.

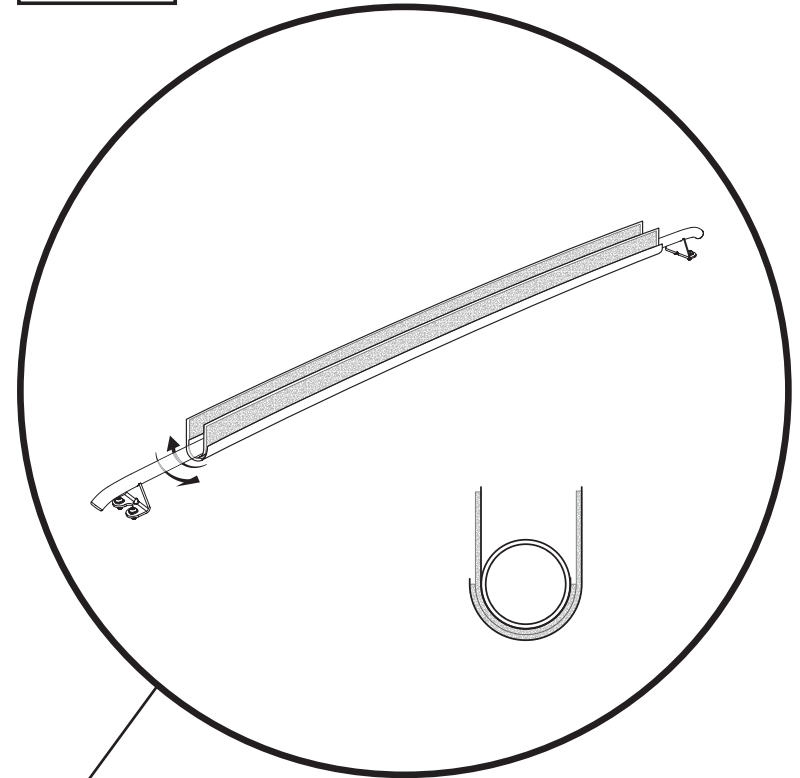
Repeat these three steps on the left side of the vehicle.



Step 1



Step 1

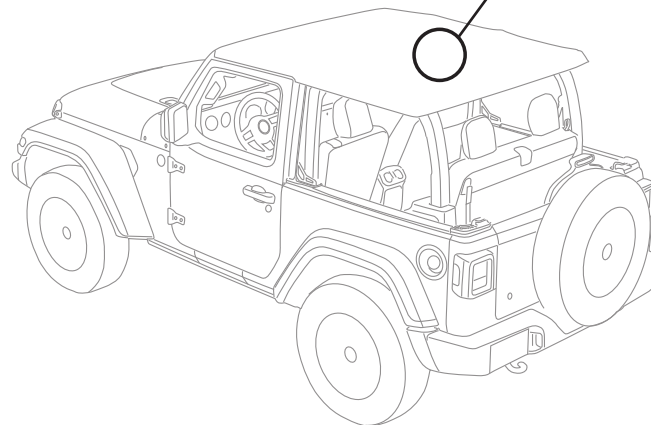


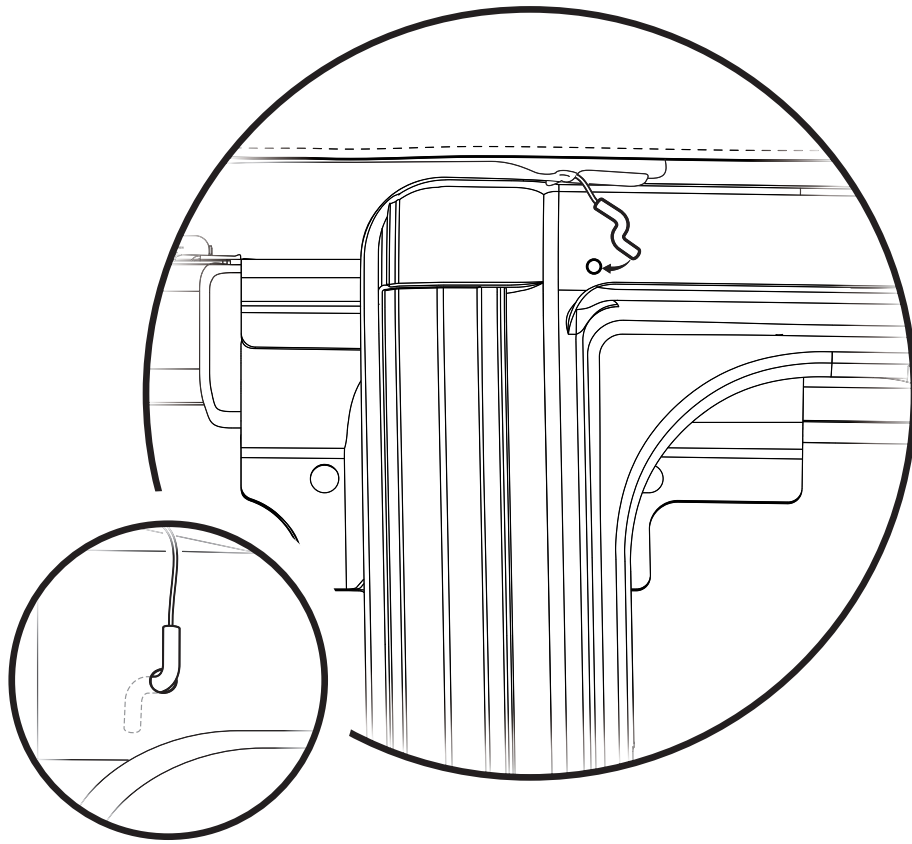
Step 1

Open the top into the "Sunrider" position.

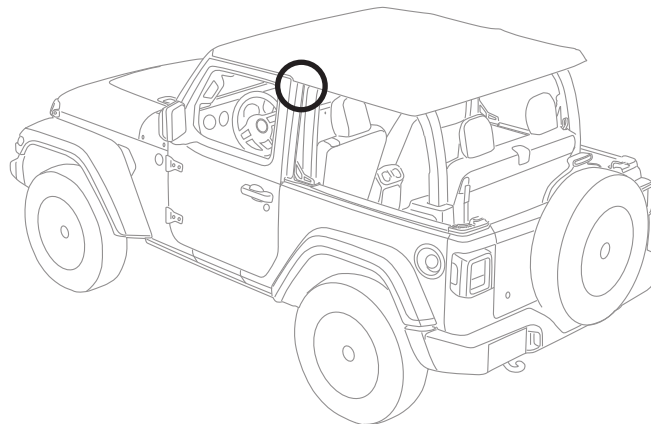
Step 1

Peel the velcro flap off of the #3 bow.

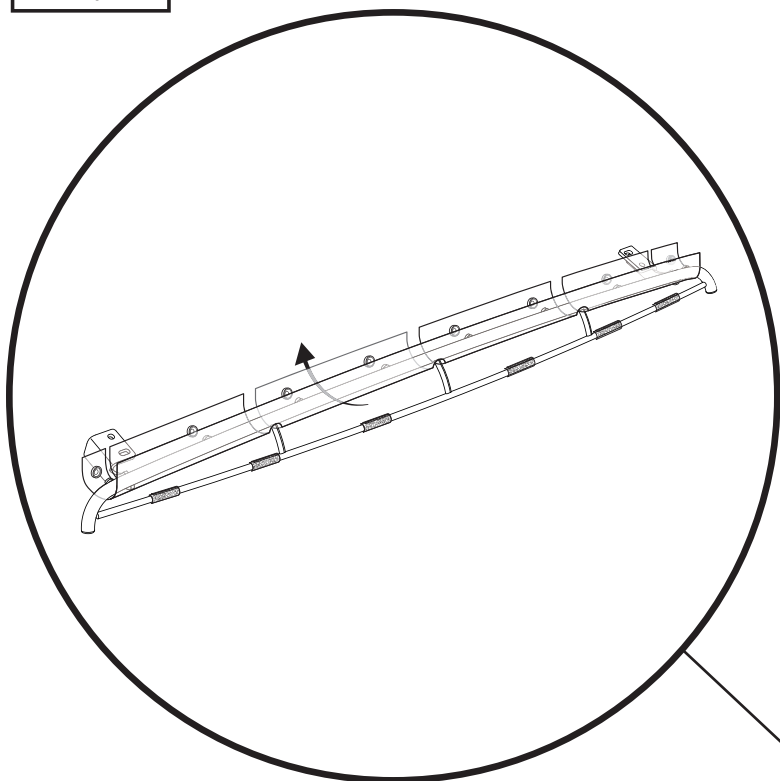




Locate the Z-Clips, which extend out from the edge of the top fabric just above the Door Rail on each side of the Jeep. Detach the Z-Clips to the Door Rails. Be careful not to damage the Cable or the Z-Clip itself.



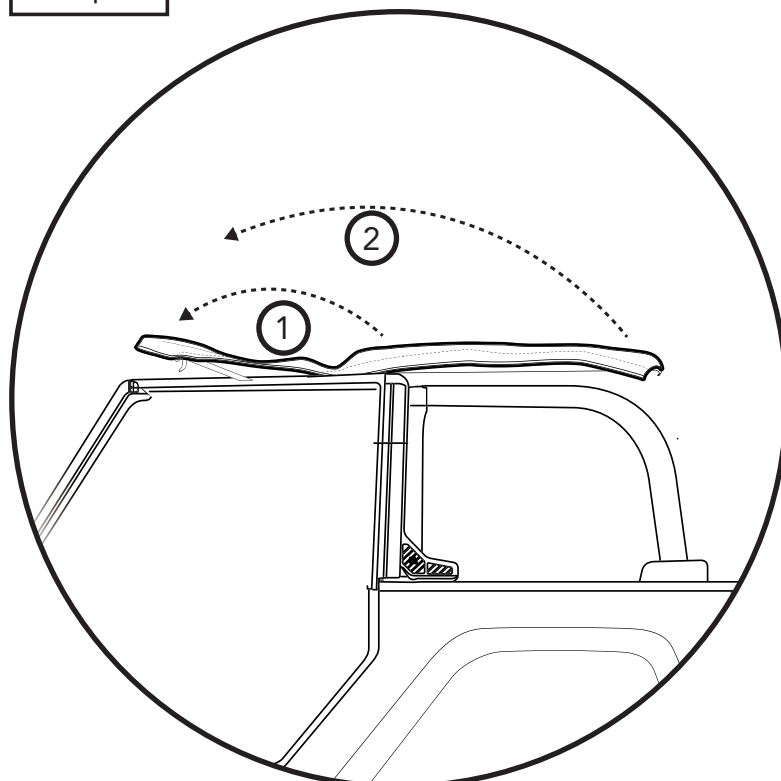
Step 3



Step 3

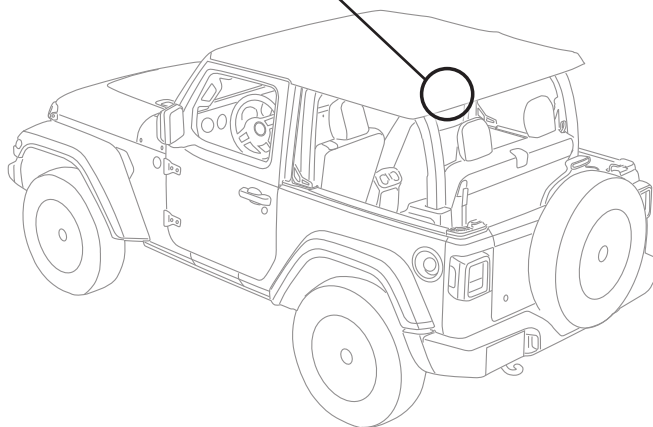
Unsnap the flaps from the #4 bow.

Step 4

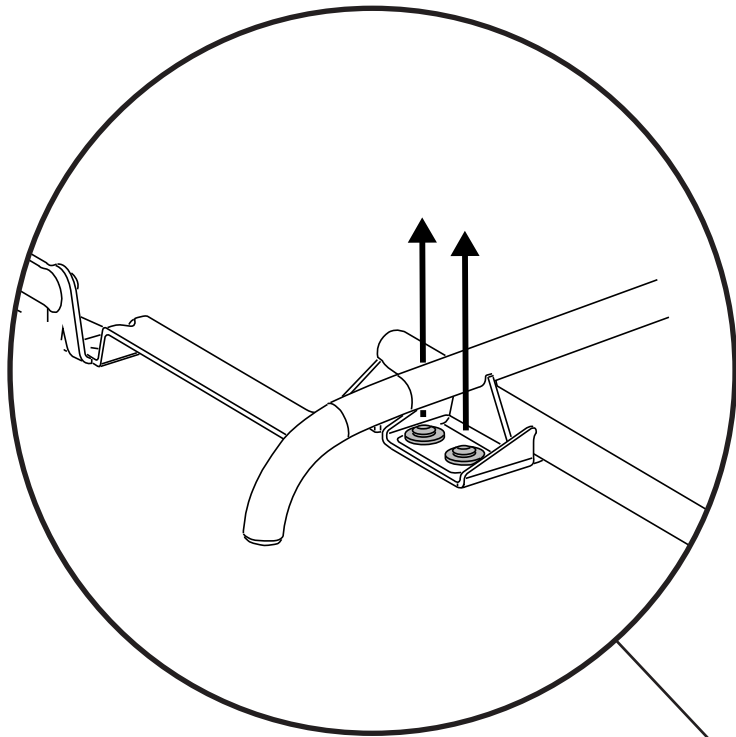


Step 4

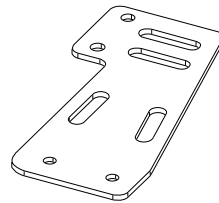
Fold header forward then fold fabric forward.



Step 1



Hardware



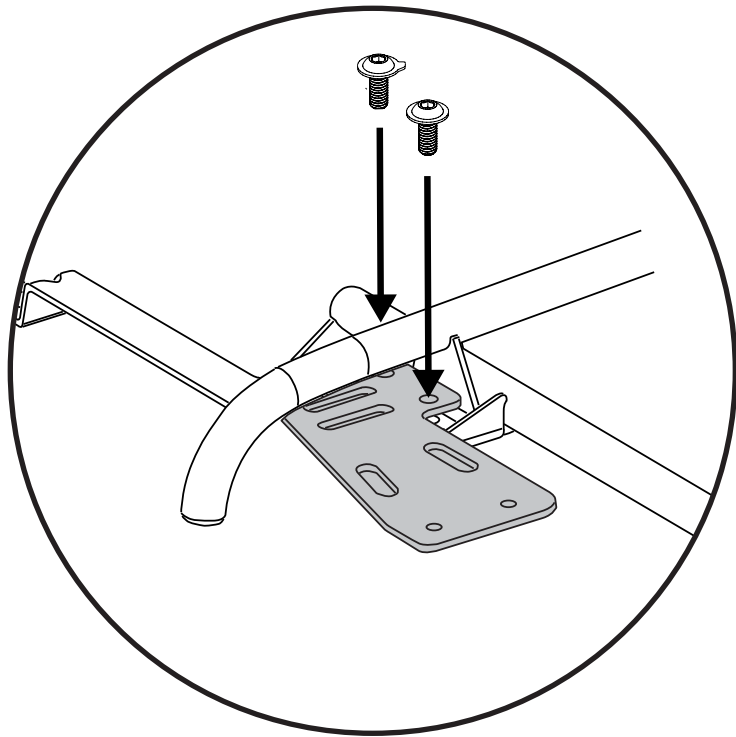
Lower Bracket
M6X1X14
Part #610.75
Qty. 2

Tools



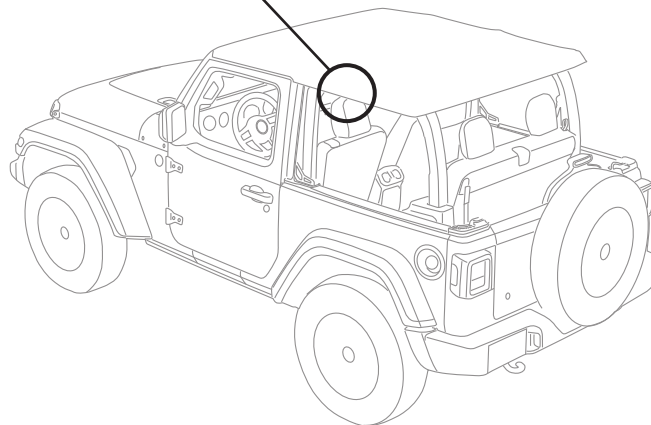
4mm Hex Key

Step 2



Step 1

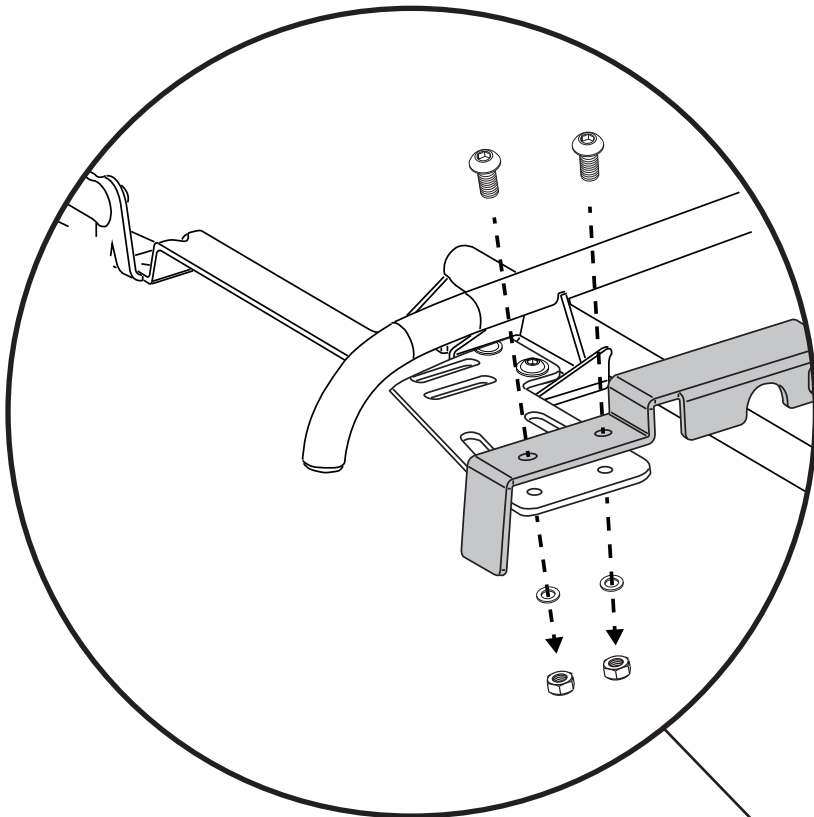
Remove two (2) screws that mount the #3 Bow.



Step 2

Place Lower Bracket (Part #610.75) on top of the #3 Bow mounting flange then replace the two (2) screws that were removed in step 1.

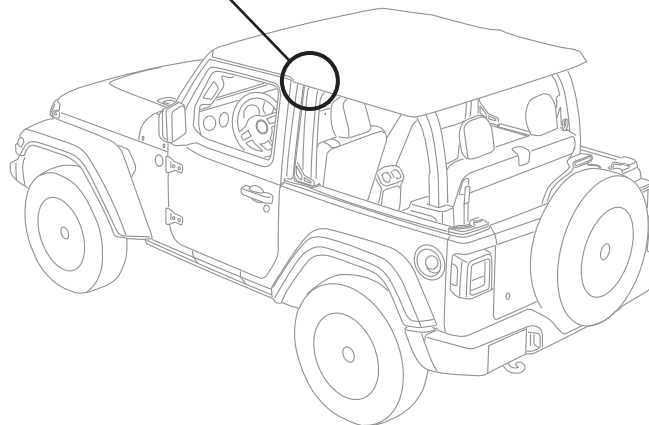
Step 3



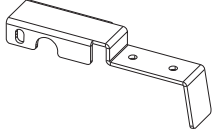
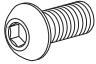


Step 3

Attach the Upper Bracket (Part # 610.76) to the Lower Bracket using two (2) of each Button Head Screw (Part # 517.63), Washers (Part # 515.81) and M6 Nuts (Part # 515.82)

Repeat these steps on the right side of the vehicle.



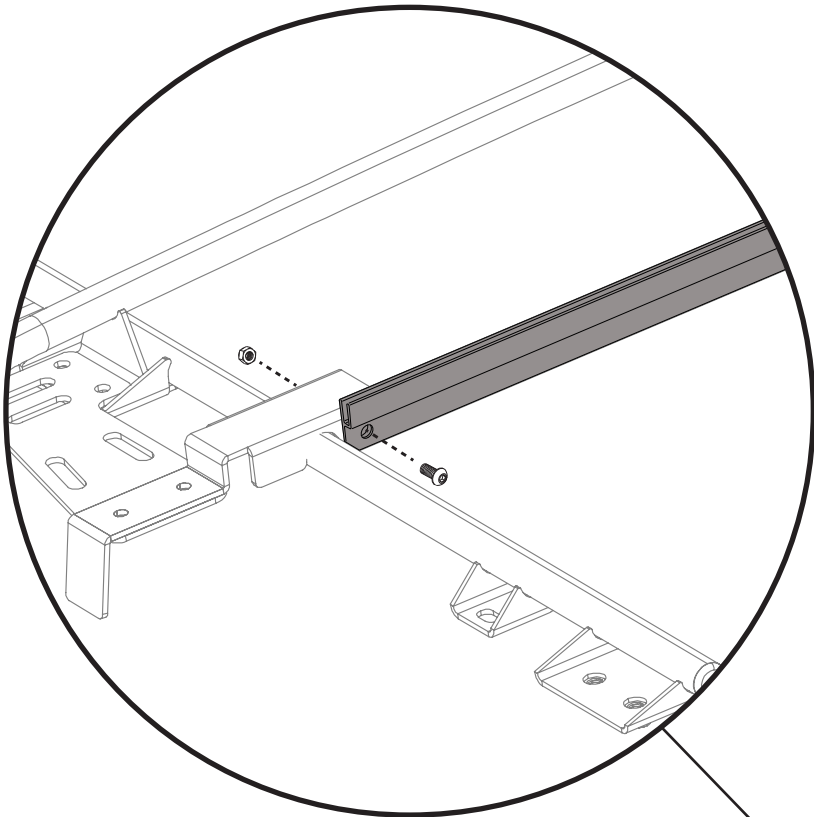
Hardware

-  Upper Bracket
Part #610.76
Qty. 2
-  Button Head Screw
M6X1X14
Part #517.63
Qty. 4
-  Nut, M6X1 Lock Blk
Part #515.82
Qty. 4
-  Washer, Flat M6
Part #515.81
Qty. 4

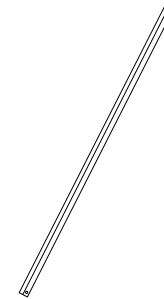
Tools

-  4mm Hex Key
-  10mm Wrench

Step 1



Hardware



Windjammer
retainer
Part #614.46
Qty. 1



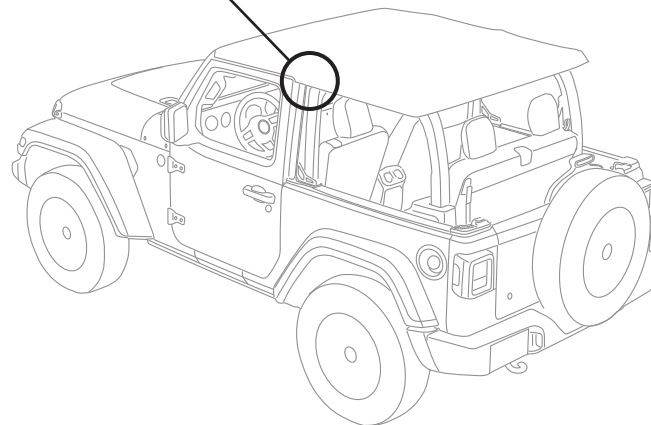
Button Head Screw
M6X1X14
Part #517.63
Qty. 2



Nut, M6X1 Lock Blk
Part #515.82
Qty. 2

Step 3

Attach the Windjammer Retainer (Part # 614.46) to the Upper Brackets using two (2) Button Head Screws and two (2) M6 Lock Nuts. (one (1) per side)



Tools

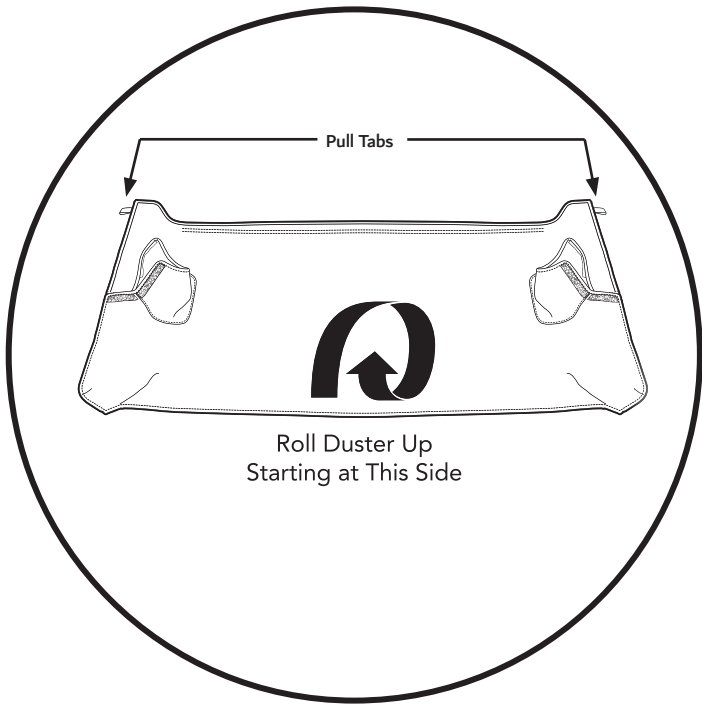


4mm Hex Key

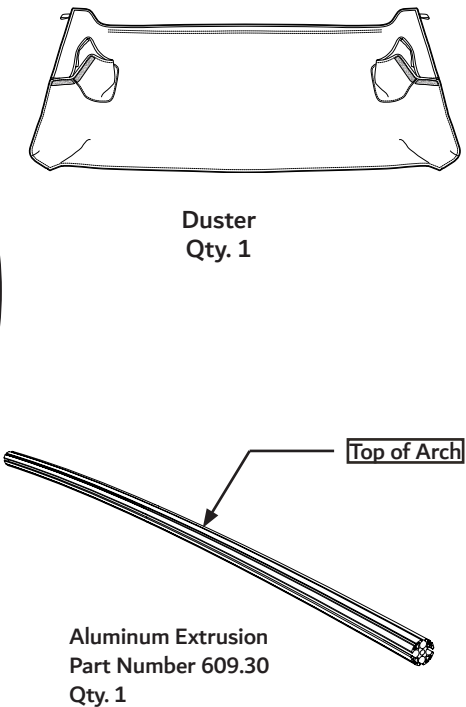


10mm
Wrench

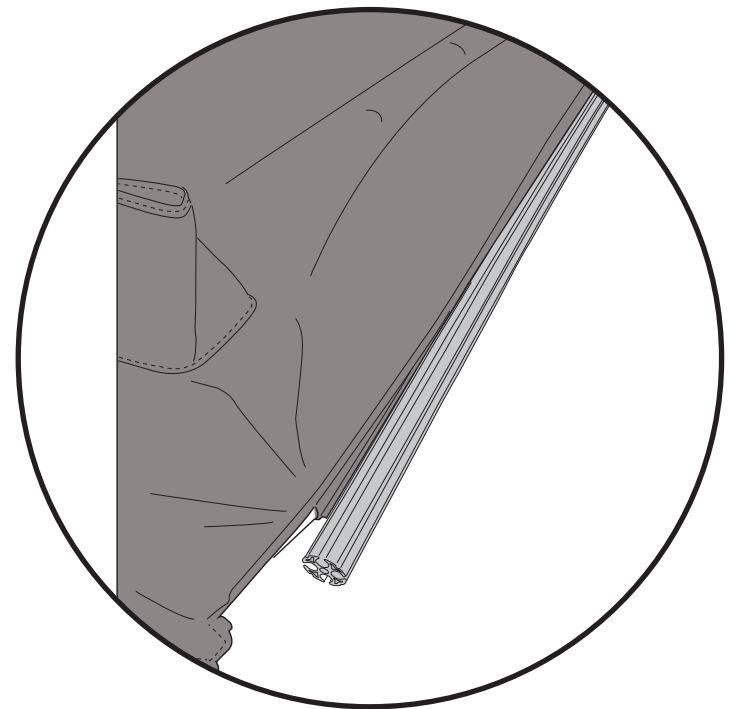
Step 1



Hardware



Step 2



Step 1

Starting on the side of the duster without the pull tabs, roll the Duster up loosely. The side of the Duster with the pull tabs is the front edge.

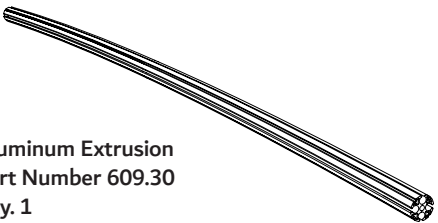
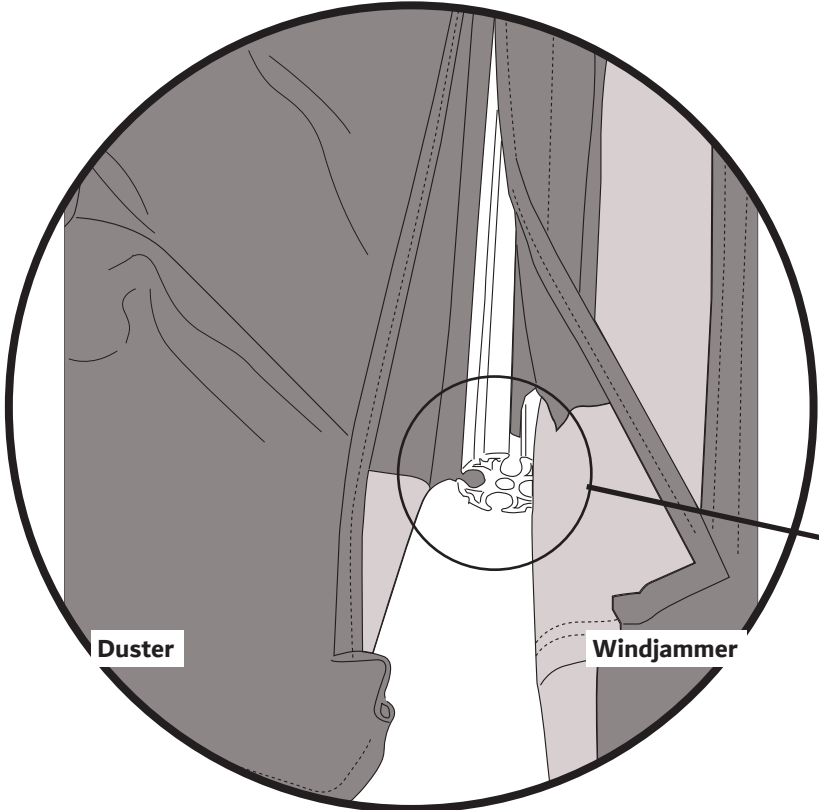
Step 2

With the Duster loosely rolled up, slide the P-Extrusion along the exposed front edge of the Duster into the top slot of the Extruded Aluminum Bow, using the slot in the Bow that is on top of the arch and facing up.

NOTE: Aluminium Extrusion has arch. The Duster should be in the top part of the arch.

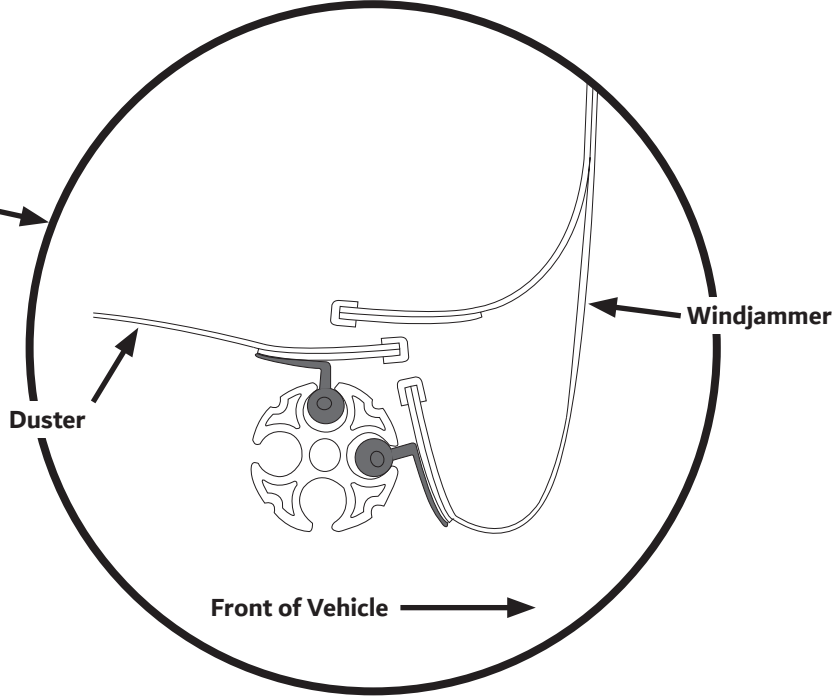
Step 1

Hardware

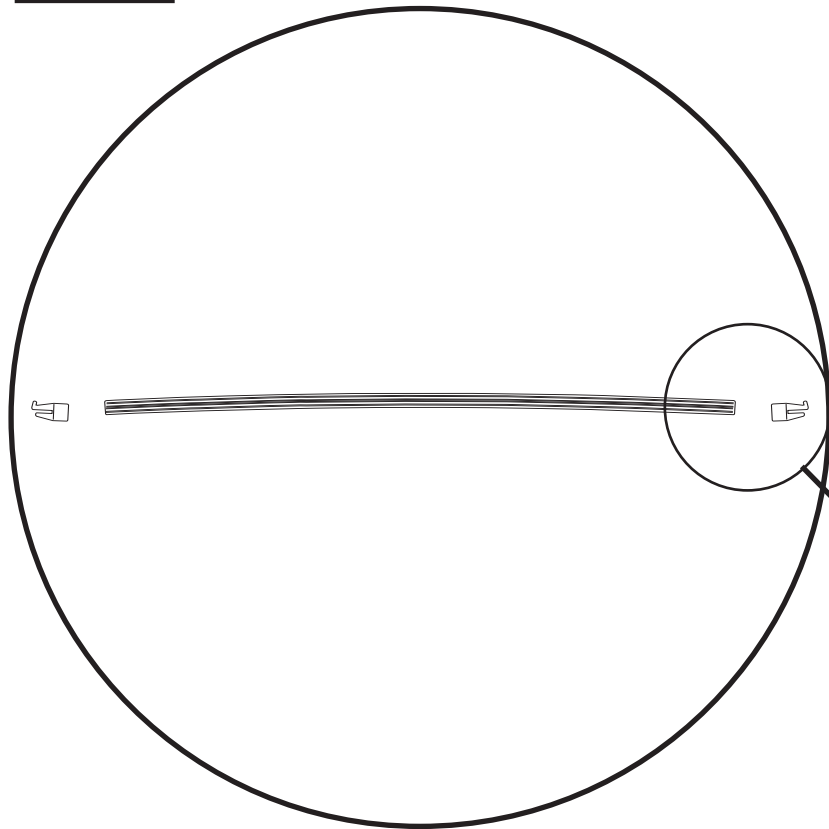


Step 1

Slide the sewn in P-extrusion into the front channel of the Aluminium Extrusion (Part #609.30).

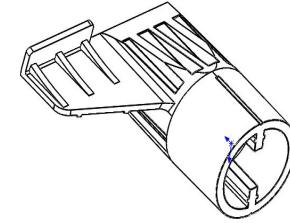


Step 1

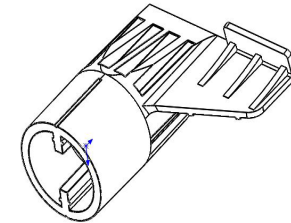


Hardware

Plastic End Cap - Right
Bestop Part #592.66
Qty. 1



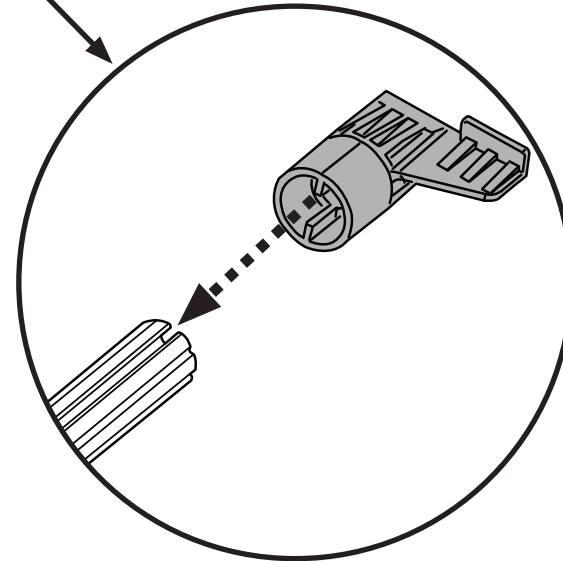
Plastic End Cap - Left
Bestop Part #593.71
Qty. 1



Step 1

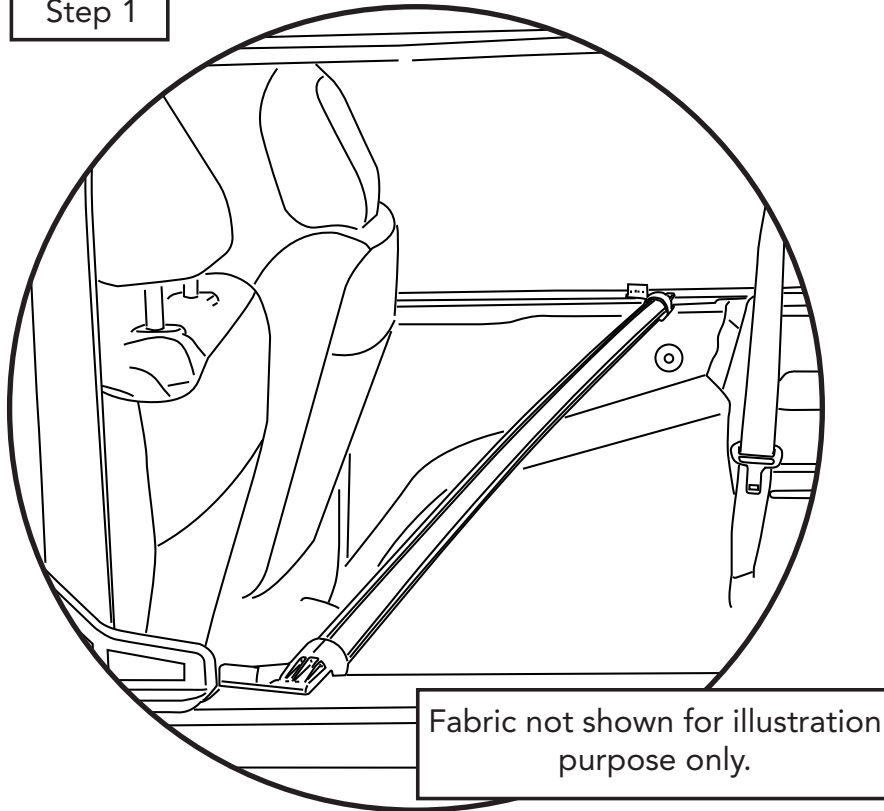
Place the Plastic End Caps (Part # 592.66) on the passenger side of the Aluminium Extrusion and (Part # 593.71) on the driver side.

The internal ribs inside the round opening of each end cap will slide into the slots on the top and bottom of the aluminum extrusion.

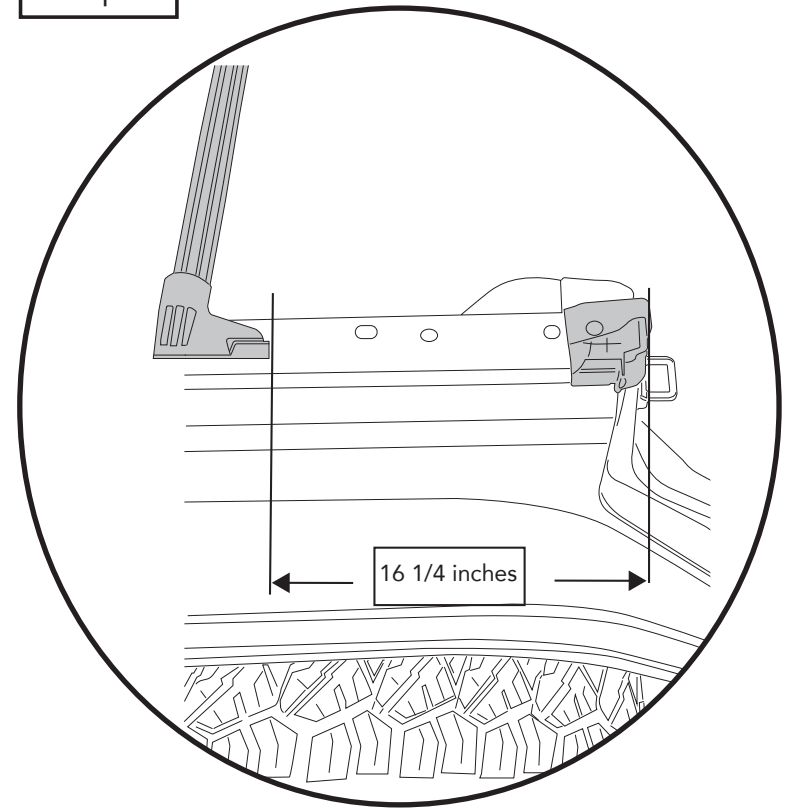


NOTE: The Wing must go towards the front of the vehicle with the Tab pointing up.

Step 1

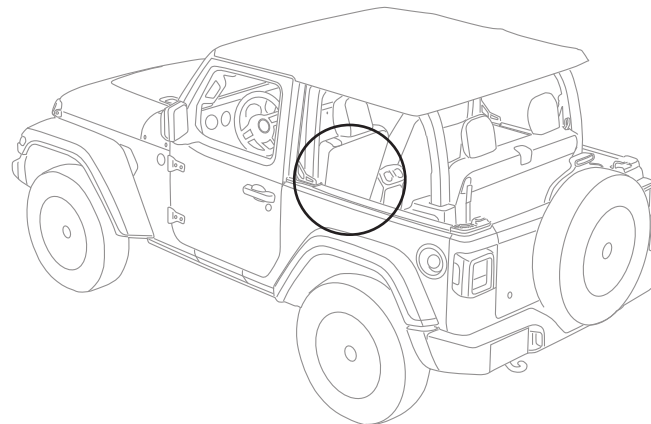


Step 2



Step 1

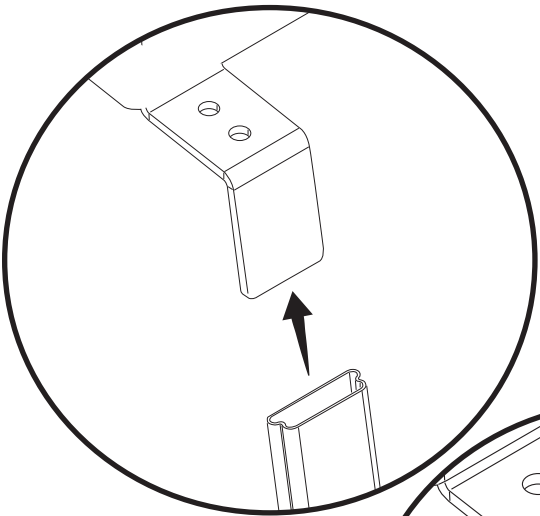
Fold the rear seat down. (Refer to Owners Manual)
 Set End Cap as far rearward on the passenger side then set the other end cap as far forward as possible on the Driver side.



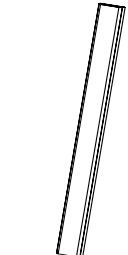
Step 2

Slide the Bow End Rearward (Driver Side) and Forward (Passenger Side) until you reach the 16 1/4 inch dimension from the front of the Extrusion to the front edge of the Rubber Seal at the top and rear of the door opening.

Step 1

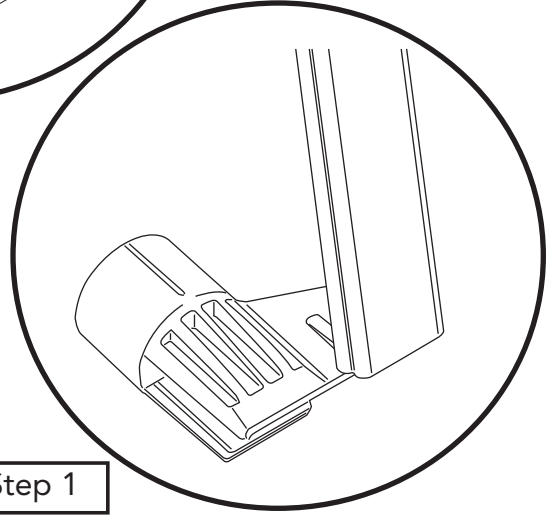
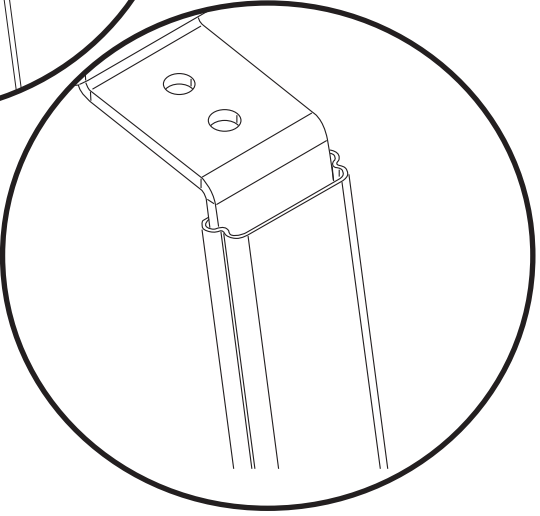
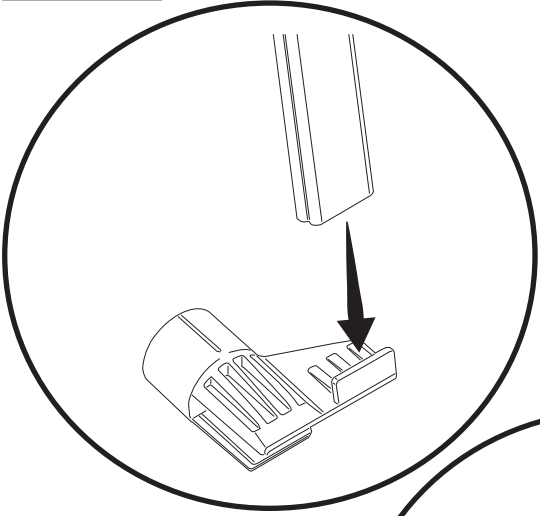


Hardware



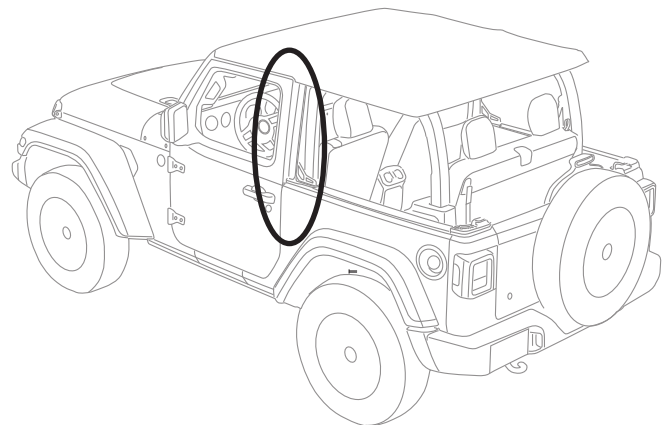
Bow D Pillar
Part #610.90
Qty. 2

Step 1



Step 1

Insert the top of the D Pillar Bow (Part # 610.90) onto the Bow Support Bracket and push it all of the way up.

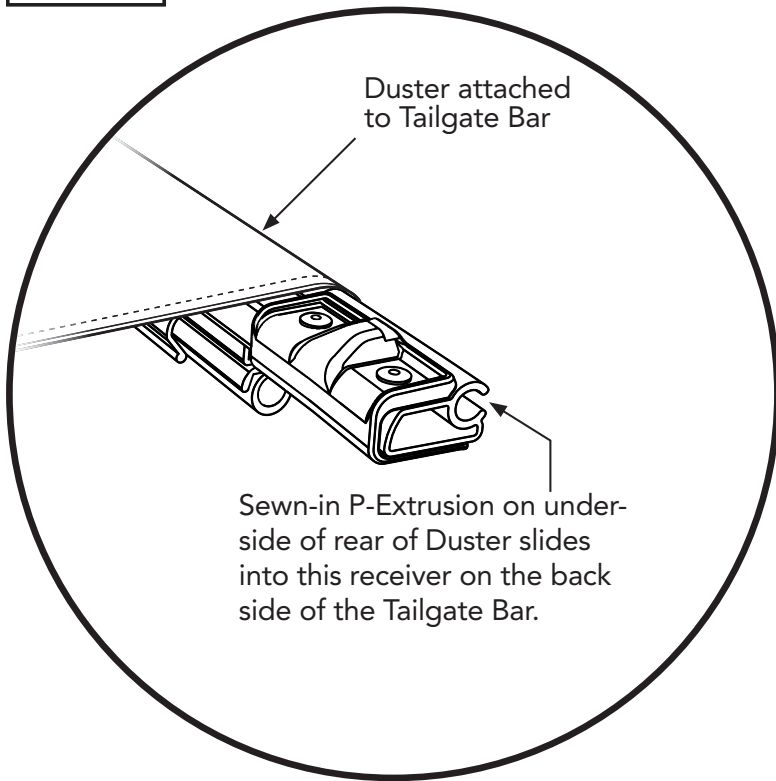


Step 1

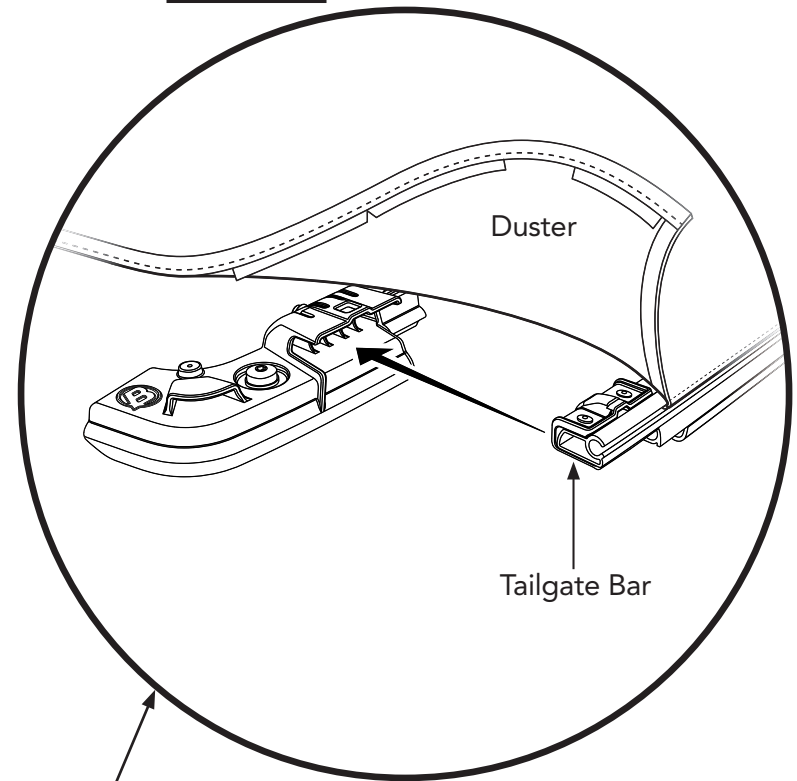
Align the D Pillar Bow with the tab on the End Cap then pull the D Pillar bow down onto the tab.

Repeat the steps on the passenger side of the vehicle.

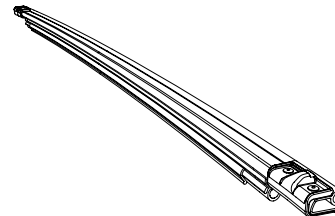
Step 1



Step 2



Hardware



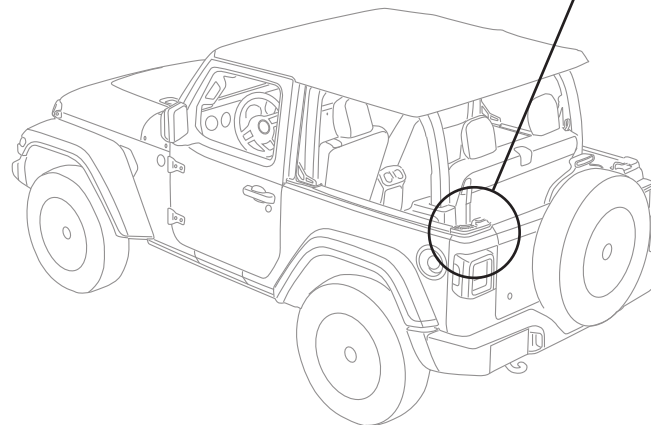
Step 1

Attach the Tailgate Bar to the sewn-in P-Extrusion rail on the underside of the rear of the Duster. Slide the Tailgate Bar all the way across.

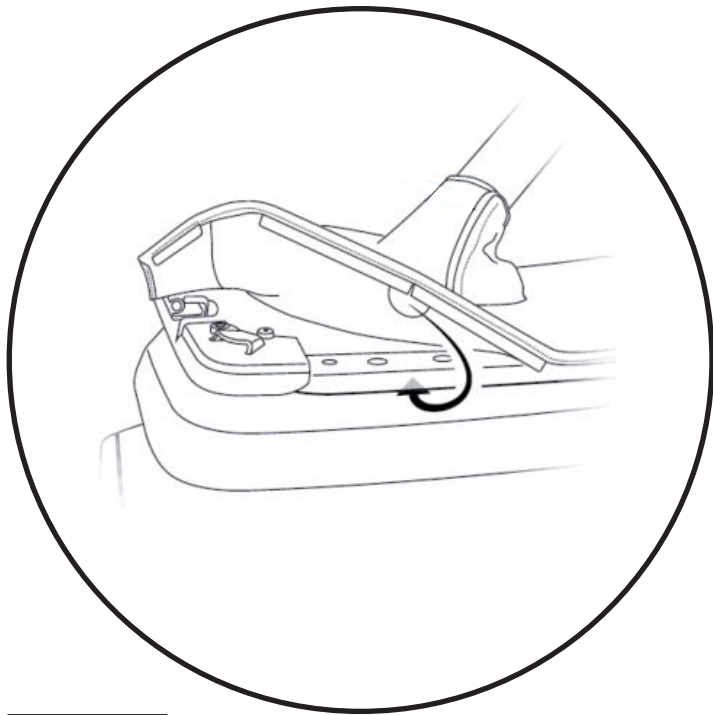
Step 2

Secure the Tailgate Bar with attached Duster to the Tailgate Bar Retainers. Press the Tailgate Bar into the receiver on each Tailgate Bar Retainer.

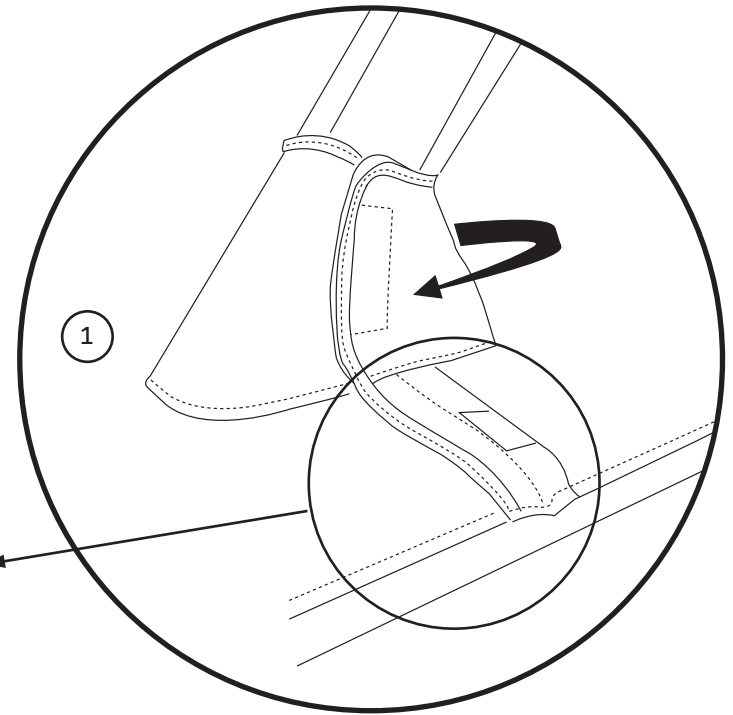
NOTE: The bulb seal on the Tailgate bar must hang below the bar and face rearward for the tailgate to touch it.



Step 1

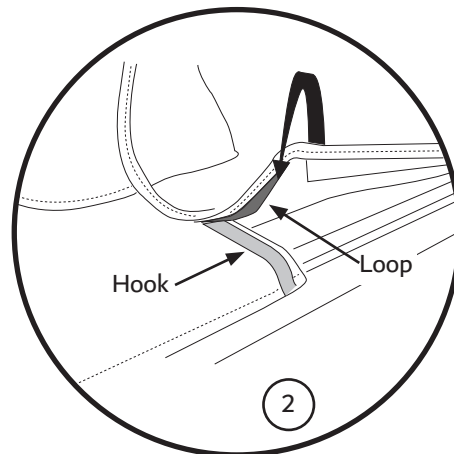


Step 2



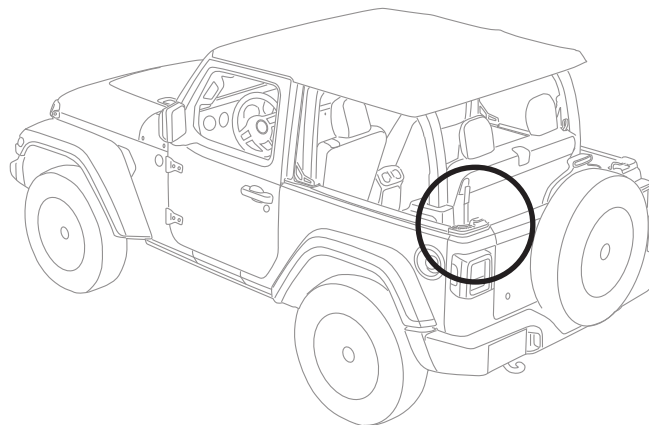
Step 1

Tuck the plastic tabs along the left and right edges of the Duster underneath the Jeep belt rail, working from back to front. Make sure to tuck the straight tabs as well as the semi-circular tabs under the belt rail.
Tuck the plastic tabs at the rear corners under the belt rail. Next, Tuck all side plastic tabs under the belt rail, from back to front.

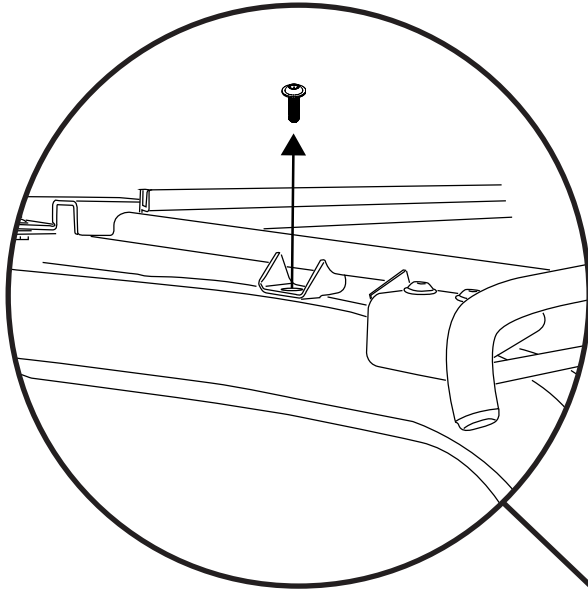


Step 2

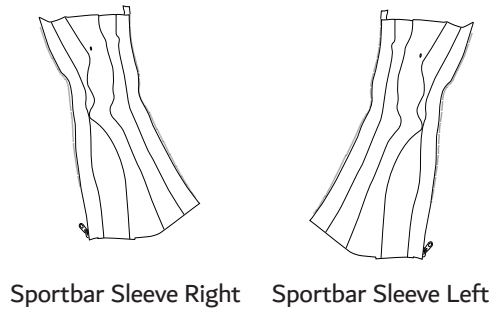
- 1 Wrap the hook-&-loop sleeves around the sport bar downtubes, and attach hook-&-loop strips together snugly.
- 2 Press the Hook and Loop together along the side of the Duster cover



Step 1



Hardware



Step 2



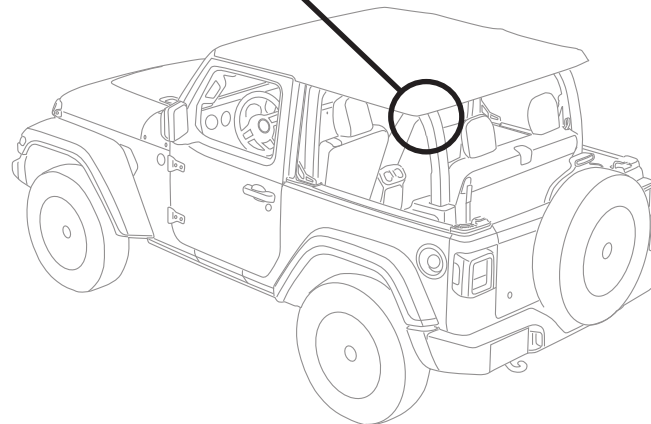
Tools



T40 Torx Driver

Step 1

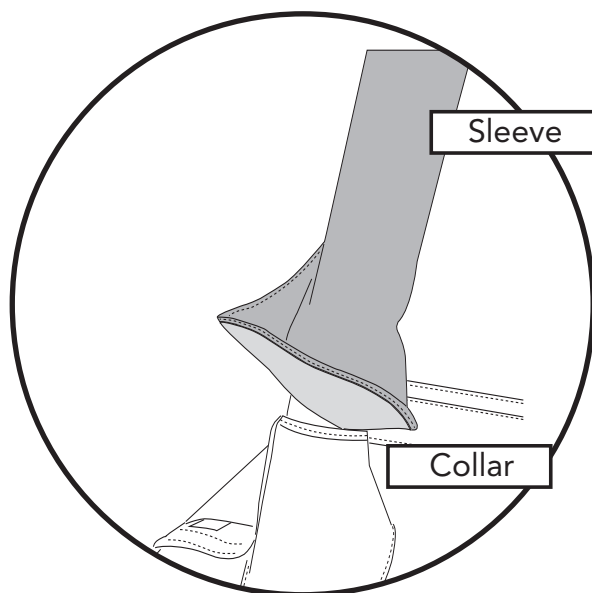
Remove the M8 X 20mm screw from the #3, #4 Bow Mounting Bracket.



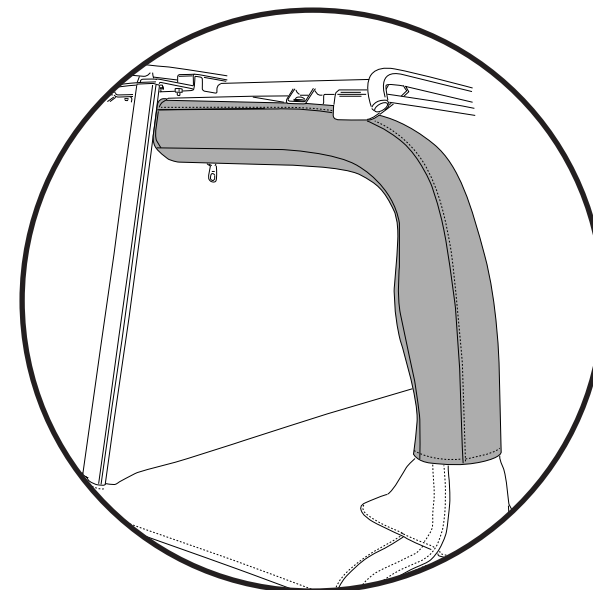
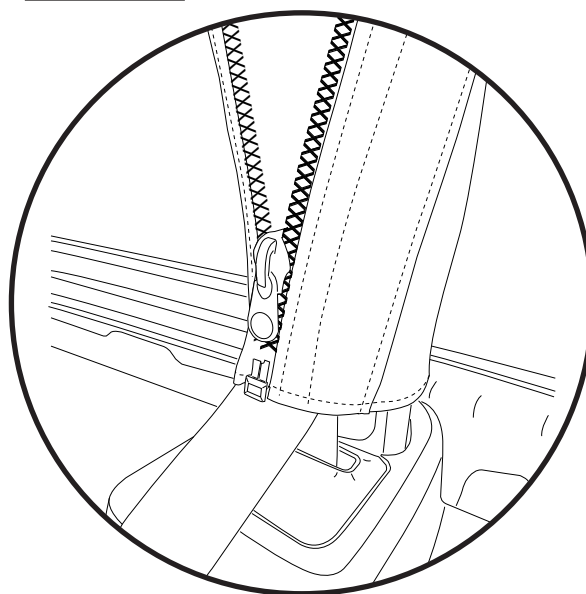
Step 2

Lift up on the #3,#4 Bow Mounting Bracket, Align the hole in the Sleeve with the hole that the M8 X 20mm was removed from. Then Replace the M8 X 20mm that was removed in step 1.

Step 3



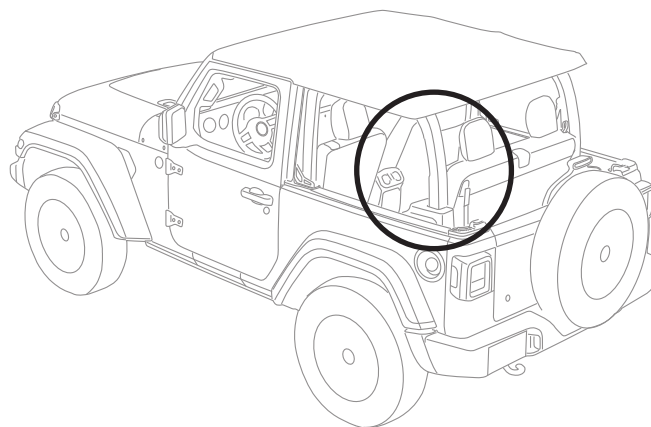
Step 4



Step 3

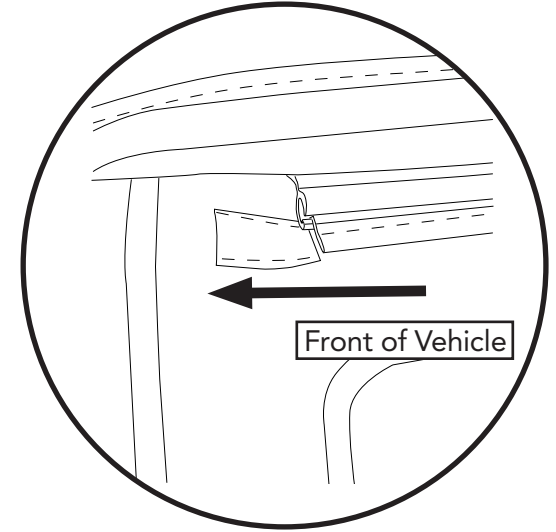
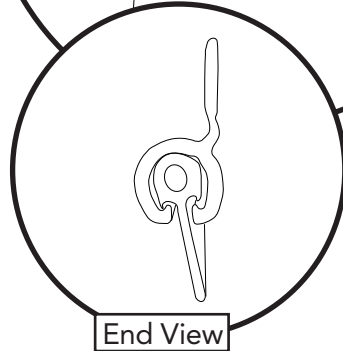
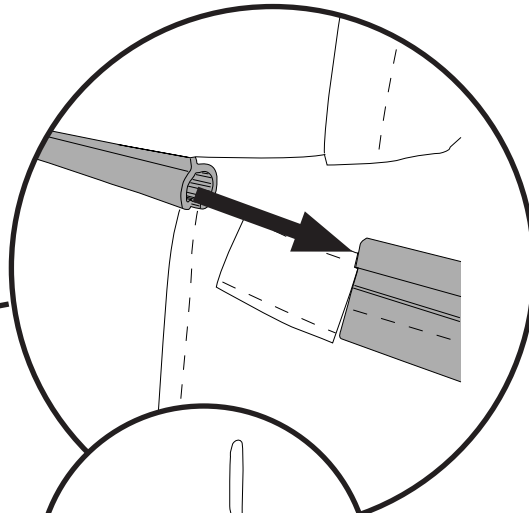
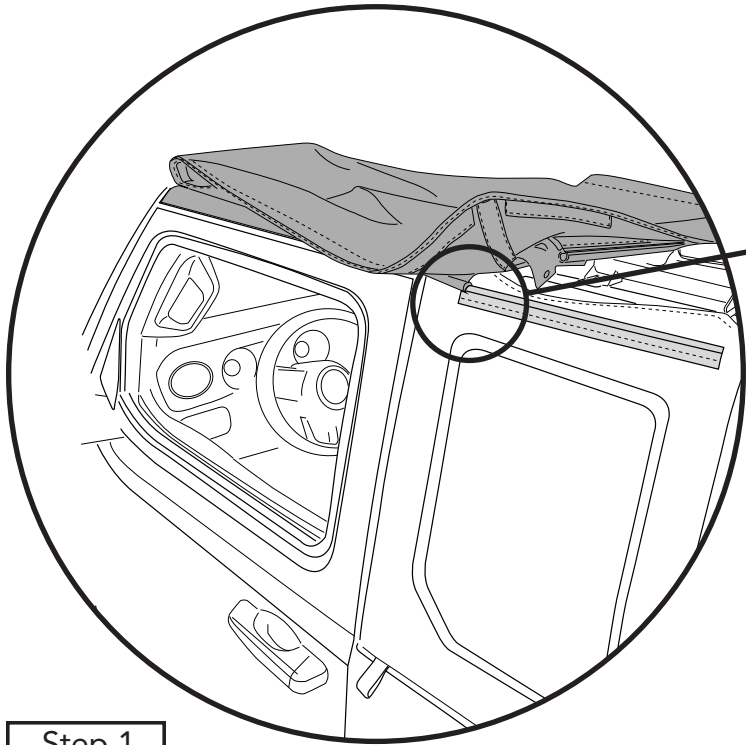
Wrap the bottom of the Sleeve around the Collar on the Duster then start the zipper. Finish zipping the sleeve making sure the seat belt is captured inside the Sleeve.

Repeat these steps on the other side of the vehicle.



Step 1

Step 2



Step 1

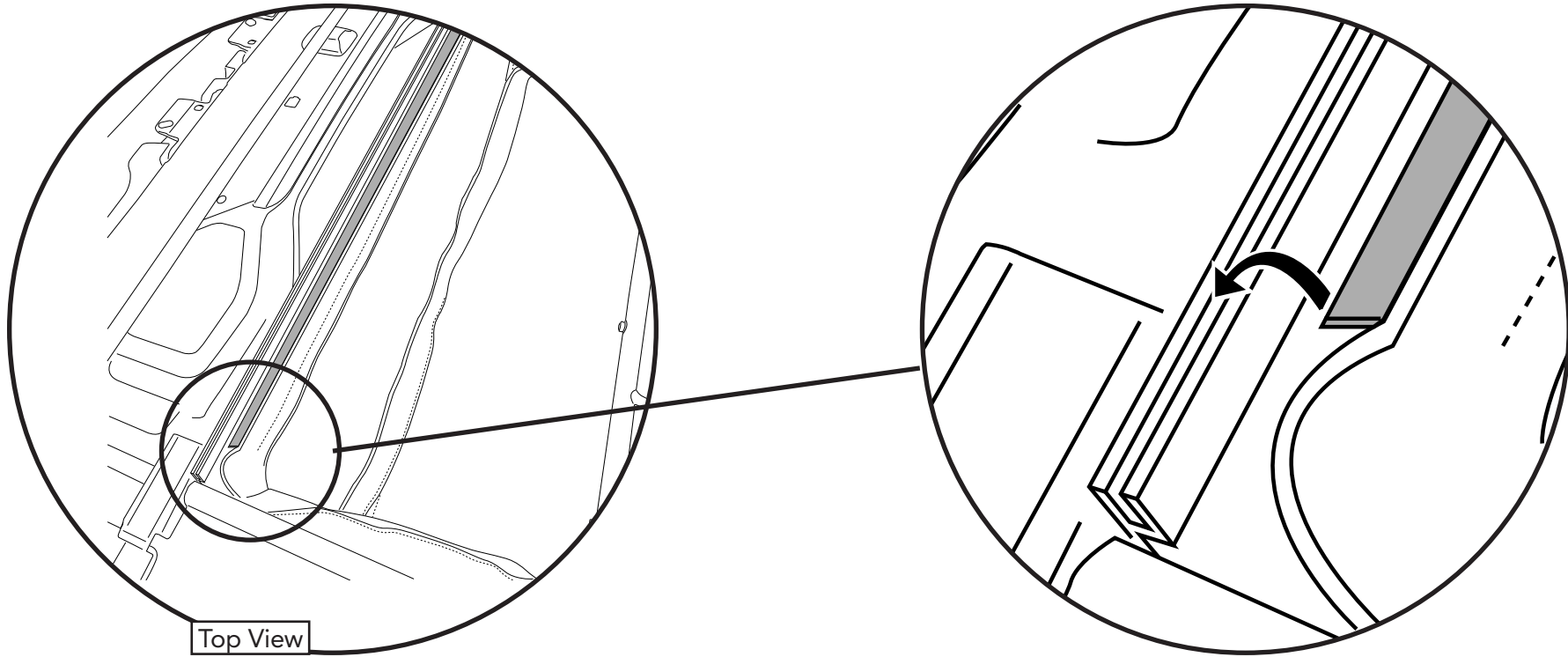
Flip the rear section of the top over and pull it towards the windshield.

Step 2

Starting at the rear of the extrusion on the top and the front of the extrusion on the Side Panel, Slide the "C" Extrusion towards the rear of the vehicle along the "P" Extrusion until both ends meet at the front of the Side Panel Extrusion.

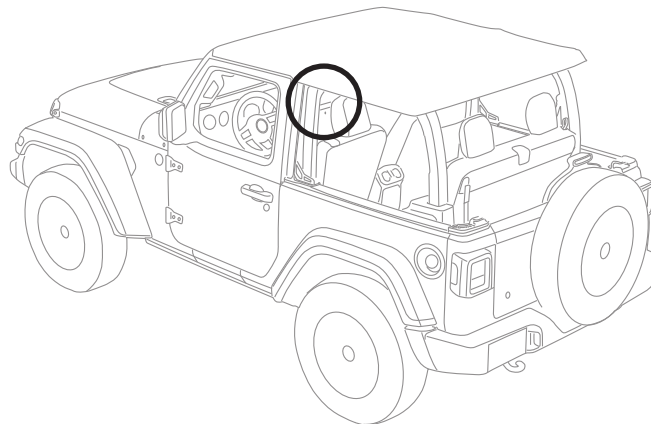
Repeatr this on the other side of the vehicle.

Step 1



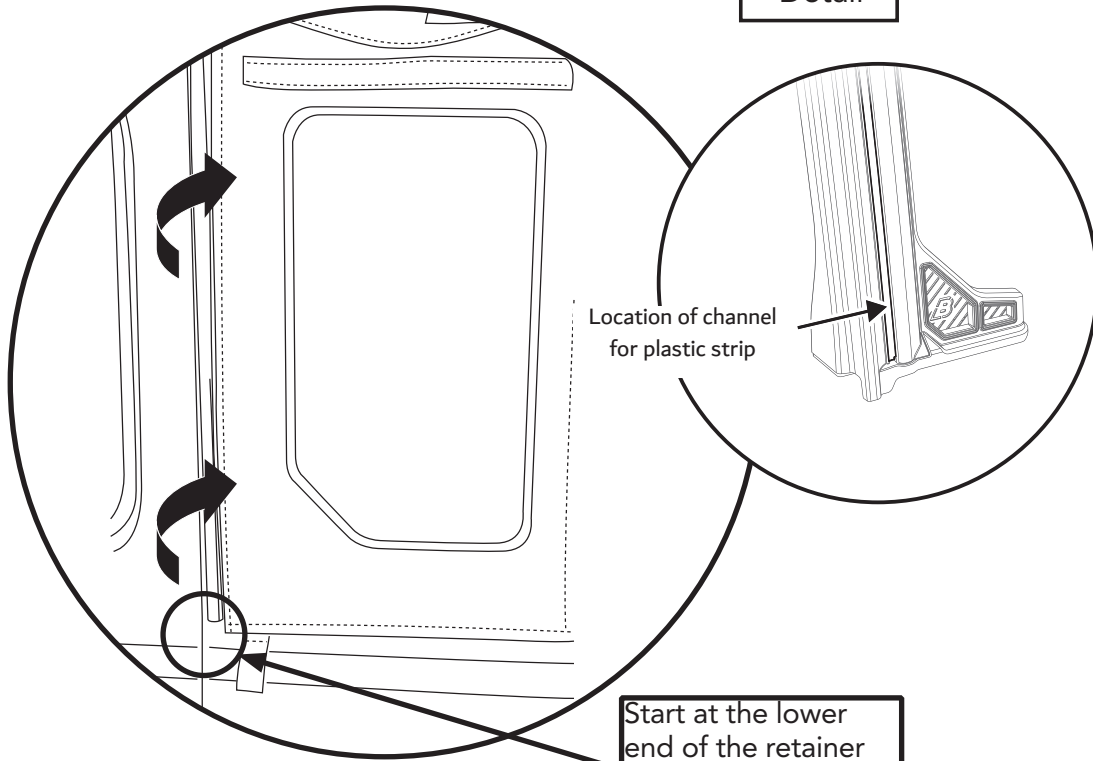
Step 1

Tuck the plastic retainer located across the top of the Windjammer and Place it into the Aluminium Retainer that was installed in Section 5.



Step 1

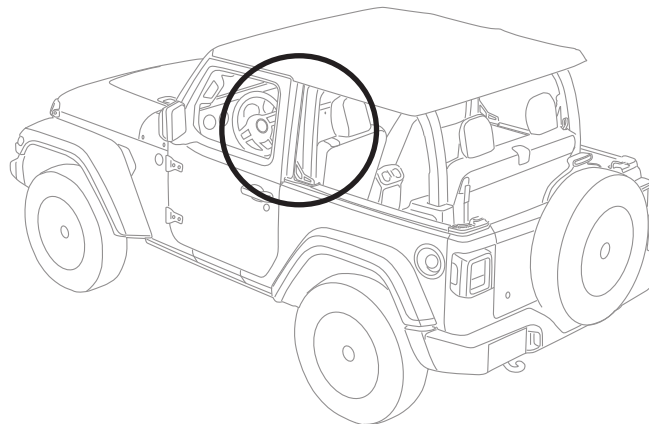
Detail



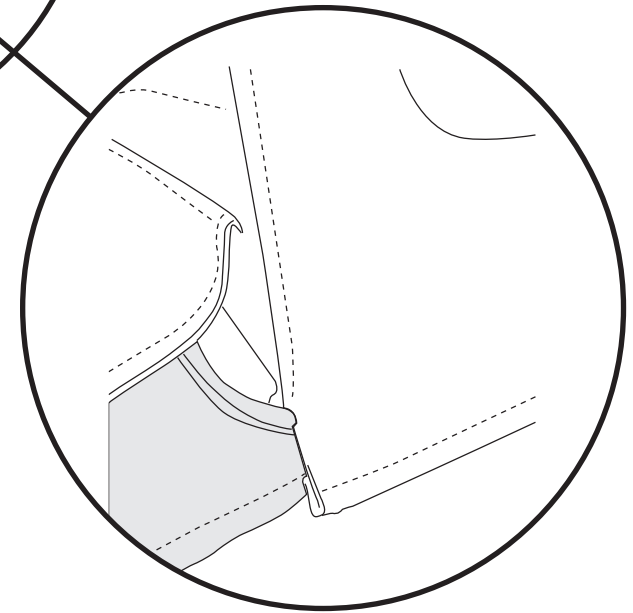
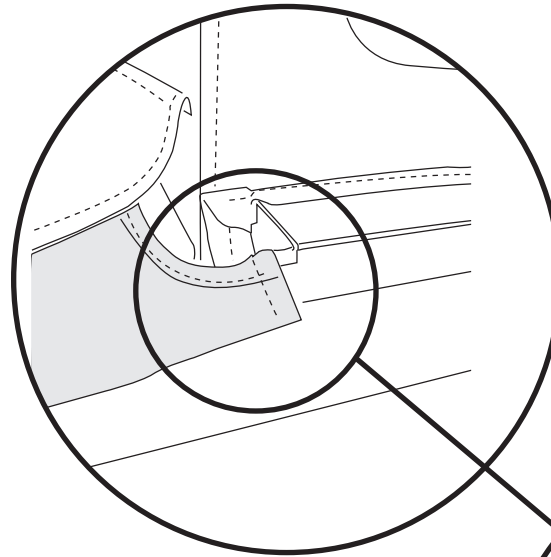
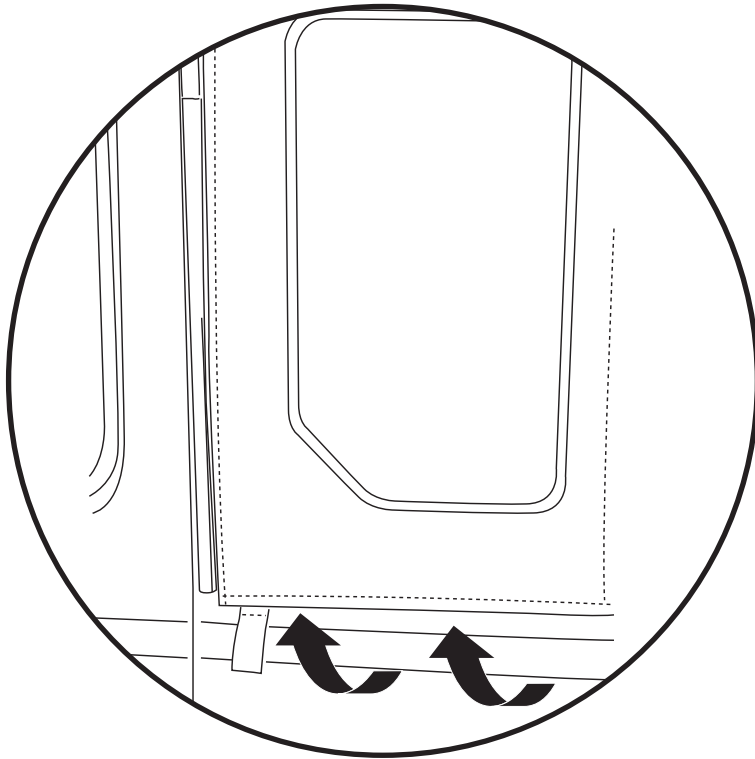
Step 1

Start at the lower end of the retainer and work your way up.

Locate the the sewn-in plastic strip along the front edge of the left side window. Tuck this plastic strip into the vertical channel along the outside face of the left Rear Door Rail. See Detail for location of the correct channel.



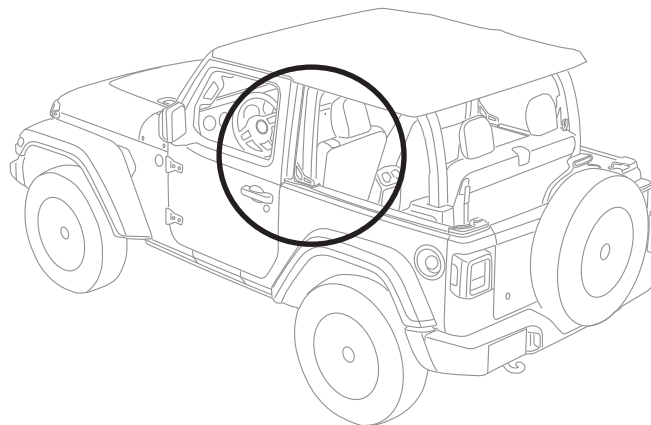
Step 2



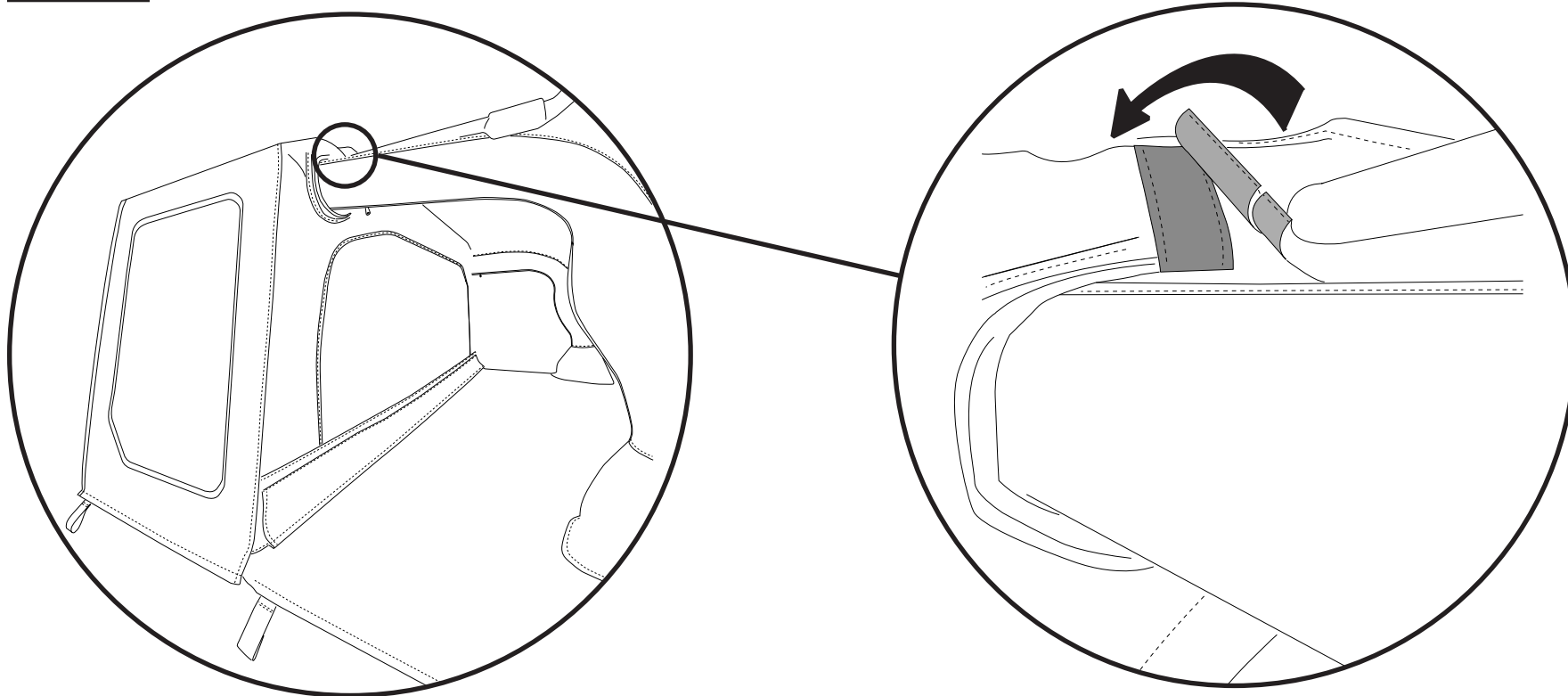
Step2

Tuck the plastic strip along the bottom edge of the left rear window under the Jeep belt rail, by rolling it up underneath the belt rail, beginning at the rear, and working your way forward. Make sure you tuck the tab on the front edge of the Duster under the bottom edge of the Side Panel.

Repeat on the right side window.



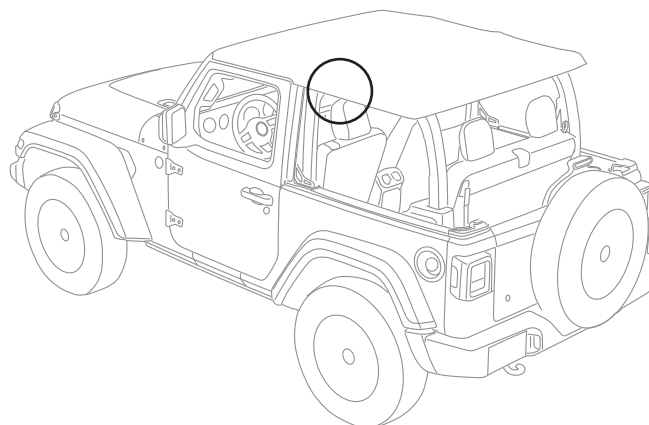
Step 1



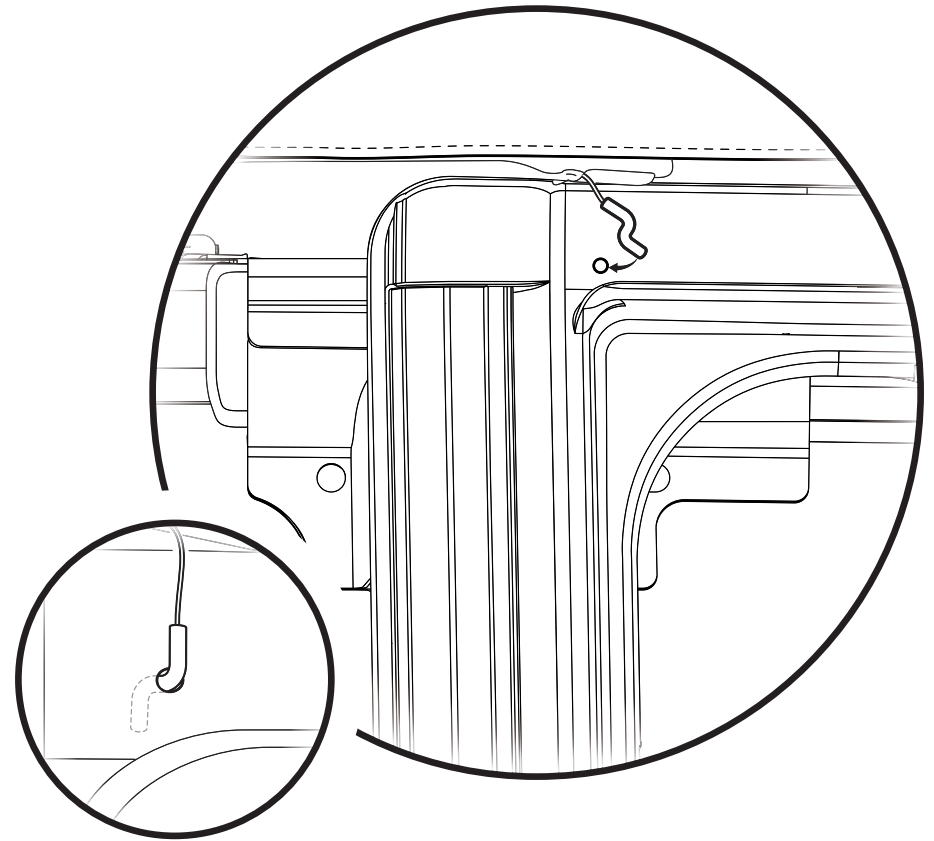
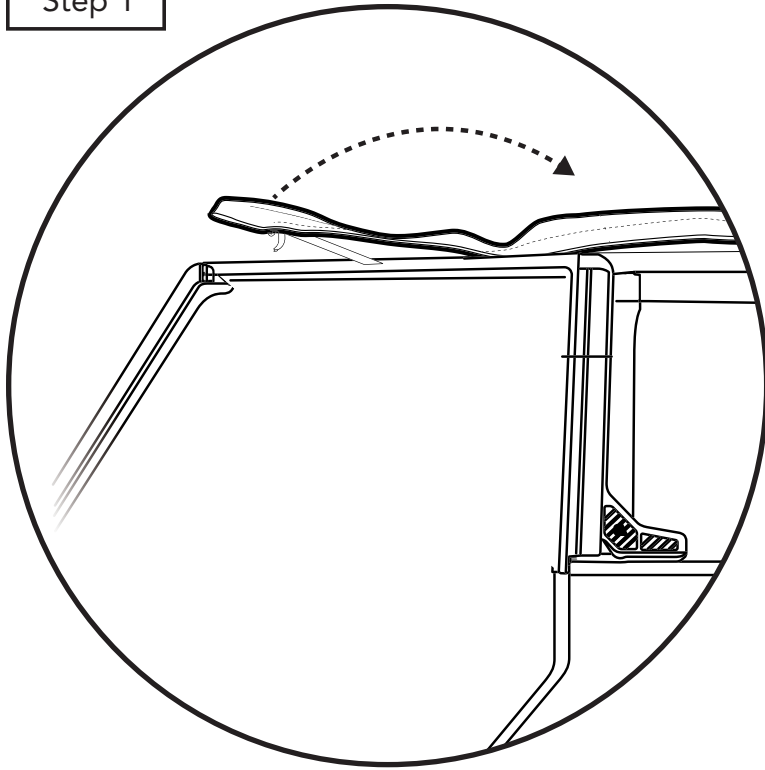
Step 1

From the inside, Fold the two (2) Hook patches over the sprotbar leg and the #3-#4 Bow Mounting Bracket onto the Loop patch.

Repeat on the right side of the vehicle.

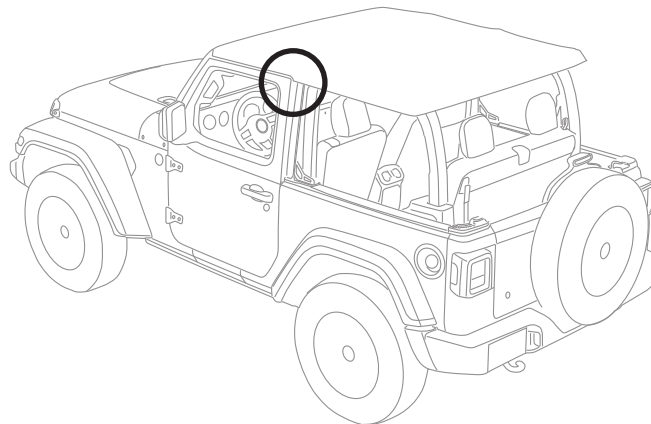


Step 1



Step 1

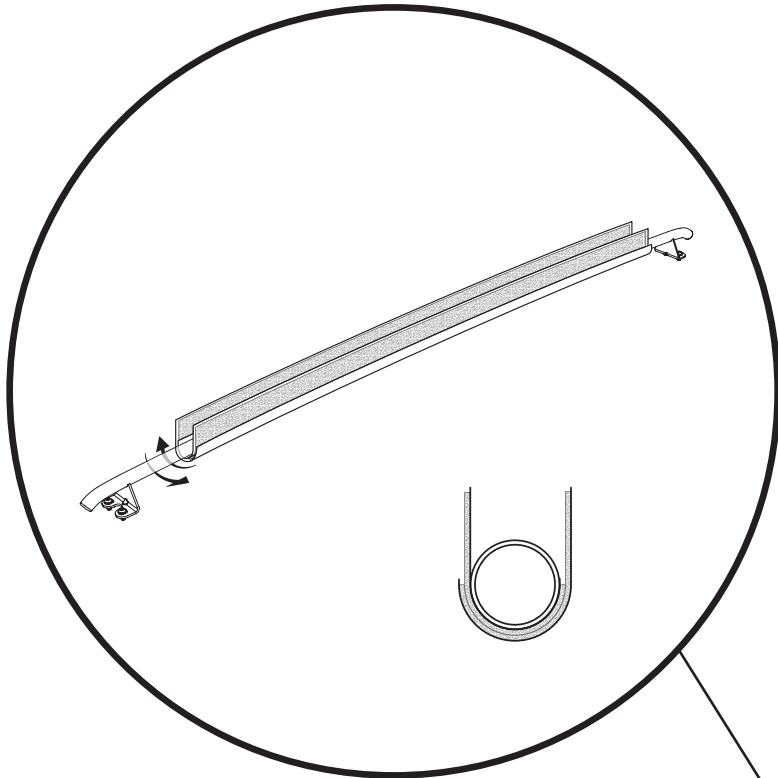
Fold the header back into the Sunrider position.



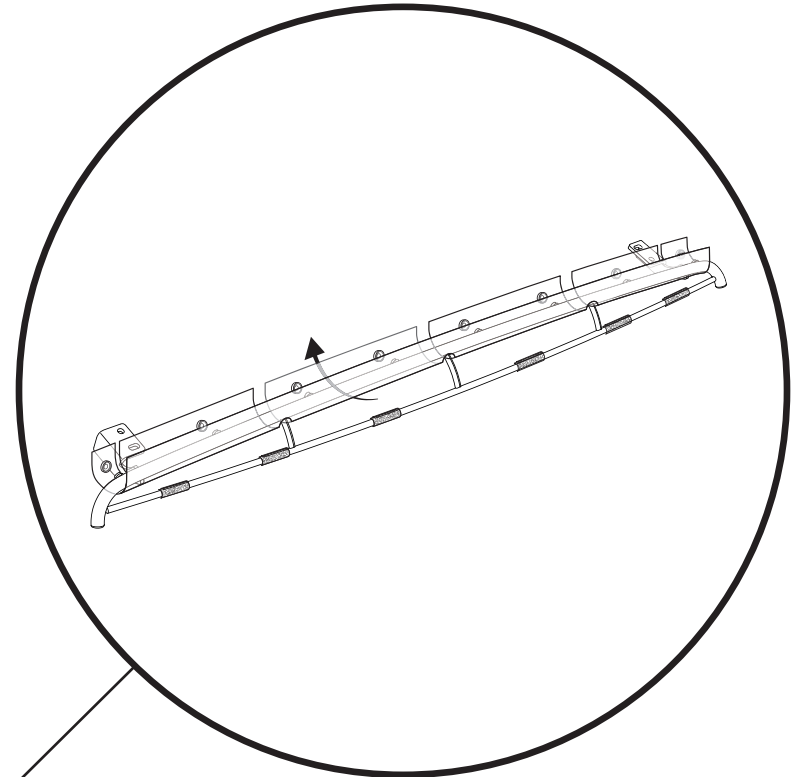
Locate the Z-Clips, which extend out from the edge of the top fabric just above the Door Rail on each side of the Jeep.

Attach the Z-Clips to the Door Rails by inserting the end of the clip into the hole in each Door Rail.

Step 1



Step 2

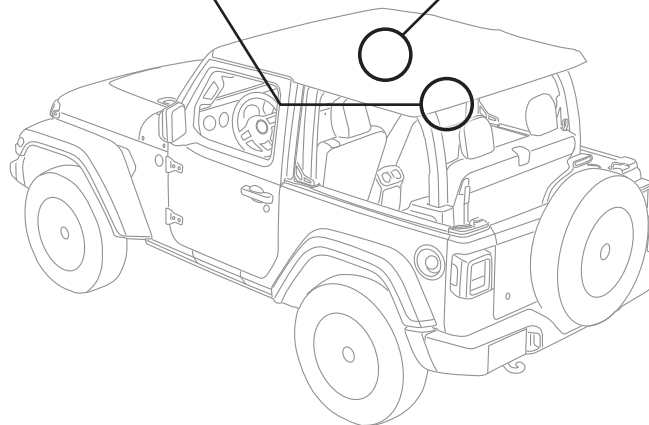


Step 1

Locate the two fabric flaps sewn to the inside of the fabric top just above the #3 Bow. Wrap these flaps around the #3 Bow so that the Hook side of one flap attaches to the Loop side of the other flap.

Step 2

Locate the four flaps sewn to the inside of the fabric top just above the #4 Bow. Wrap these flaps around the #4 Bow from back-to-front, and snap to the snaps on the front side of the #4 Bow.





Care and Maintenance of your Bestop Product

Your Bestop product is made of the finest materials available. To keep it looking new and for the maximum possible wear, it will need periodic cleaning and maintenance.

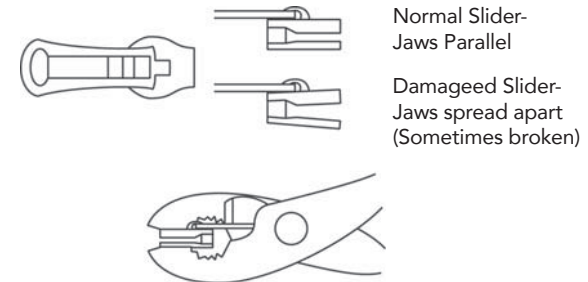
Fabric: The fabric should be washed often using soap, warm water and a soft bristle brush. Rinse with clear water to remove all traces of soap. Bestop recommends using Bestop Cleaner (part no. 11201-00) and Bestop Protectant (part no. 11202-00) for Vinyl fabric and Bestop Twill Protectant (part no. 11207-00) for Twill fabric. Bestop Cleaner and Bestop protectant are specially formulated to provide a total cleaning and protection system. Bestop Cleaner safely removes the toughest stains, will not harm vehicle finishes, is biodegradable and environmentally friendly. Bestop Protectant protects against UV-fading, cracking and hardening, and repels dust, grease, dirt and mildew.

Windows: Keep windows clean to avoid scratching. DO NOT use a brush on the windows! Wash with a water-soaked cloth or sponge and a mild dishwashing detergent. Bestop recommends Bestop Vinyl Window Cleaner (part no. 11203-00), which safely cleans and protects vinyl windows and helps prevent UV damage. NEVER WIPE THE WINDOWS WHEN THEY ARE DRY. Be careful when cleaning snow or frost from the vinyl windows since they are easily scratched and may crack at low temperatures. DO NOT roll the sides or rear window in cold weather. The windows become stiff and will crack. Cracks caused by misuse in cold temperatures are not covered under warranty.

Water: Seeping through at the seams may be stopped by applying 3-M Scotchgard® on the inside of the seams.

Snaps: Keep snaps cleaned and lubricated with silicone to help prevent snaps from sticking to the studs. If a snap does become stuck to a stud, use a screwdriver and GENTLY pry apart to prevent permanent damage to the snap or the top fabric.

Zippers: Keeping zippers cleaned and lubricated with Bestop's Zipper Cleaner (part no. 11206-00) will help prevent damage and keep the zippers in smooth working condition. If a zipper opens behind the slider, the slider may have been spread apart. This problem can usually be repaired by using an ordinary pair of pliers to bring the sides back into parallel. Return slider to the end of the zipper in the normal Open position. Squeeze lightly at first and test the zipper. If the zipper continues to remain open squeeze more firmly with the pliers and try the zipper again. Repeat this procedure until the zipper operates correctly.



For Bestop Warranty Information, Please go to;
<https://www.bestop.com/help/warranty-information/>

